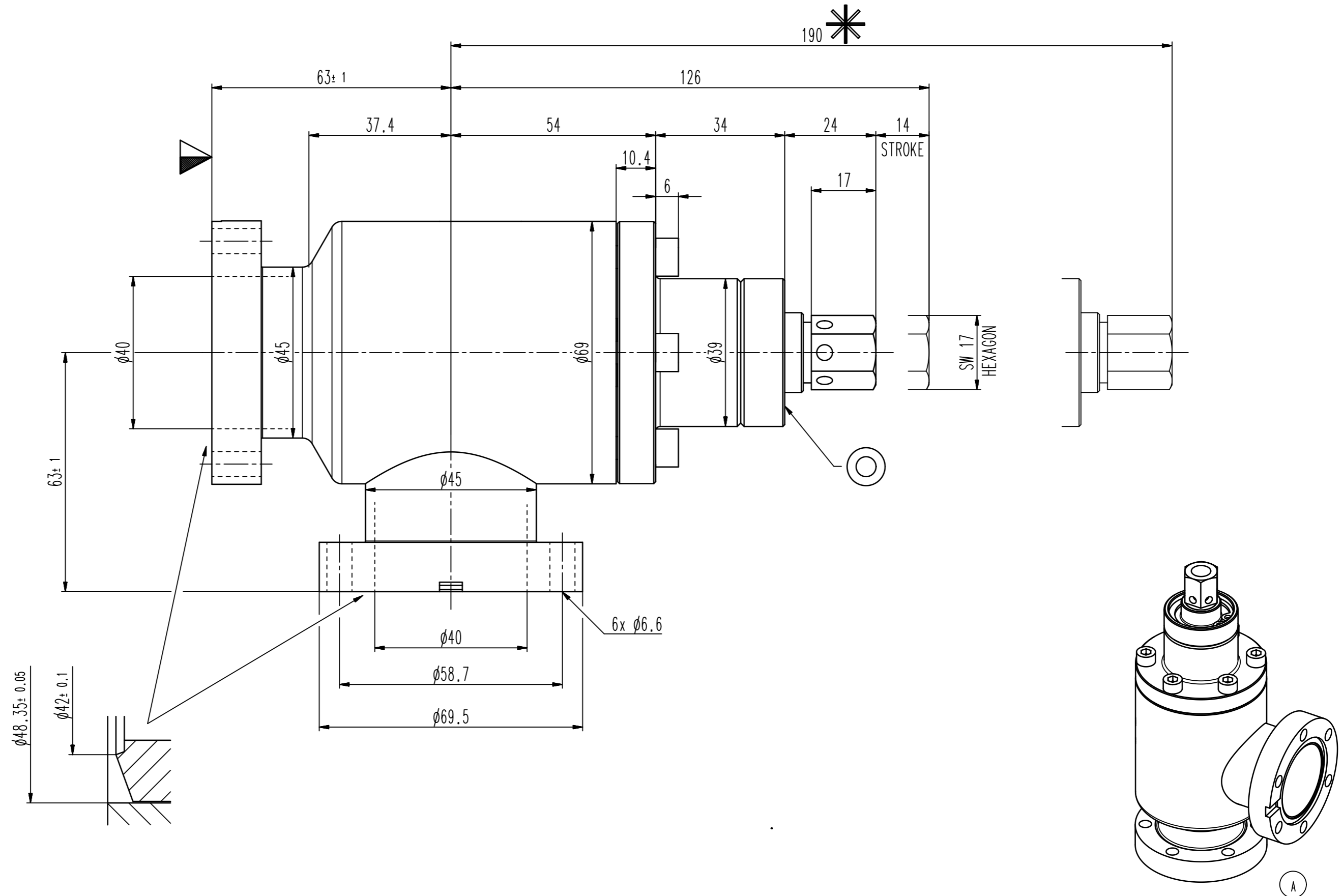


This drawing is the property of VAT.
 Without the written consent of VAT, it must not be copied or distributed to a third person.

Revision

Customer number

Revision
 Code
 Date
 Name



- ▼ Seat side
- ⊙ Comp. air connection
- ⊙ Electrical connection
- ⊙ Leak detection port
- ⊙ Mech. pos. indication
- ⊙ Position indicator
- ⊙ * Required for dismantling
- ⊙ Emergency actuation
- ⊙ For attachment
- ⊙ Bake-out area
- ⊙ Differential pumping port

All-metal angle valve



VAT Vakuumentile AG
 CH-9469 Haag, Switzerland
 Tel ++41 81 7716161 Fax ++41 81 7714830

Date: 20.09.02
 Name: LBR

Series	Ordering No.	
571	57132-GE02-0005	
Projection E	DN	Flange
	40	CF-R
Dimensional Drawing	233056	Rev. A