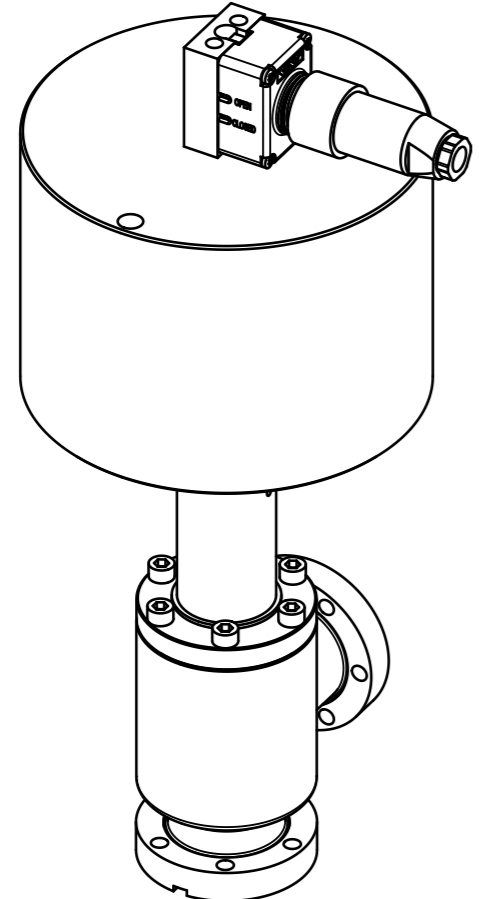
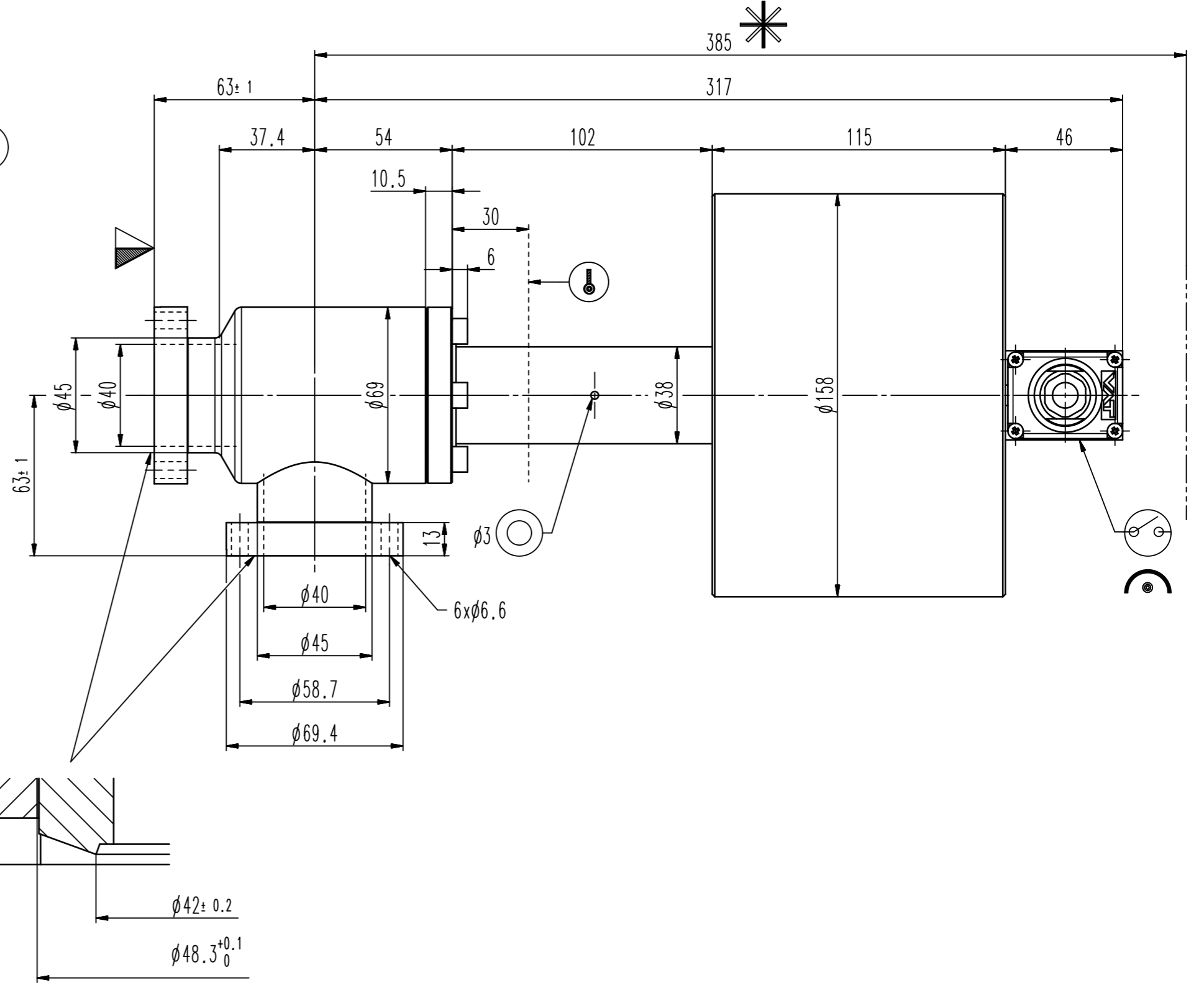
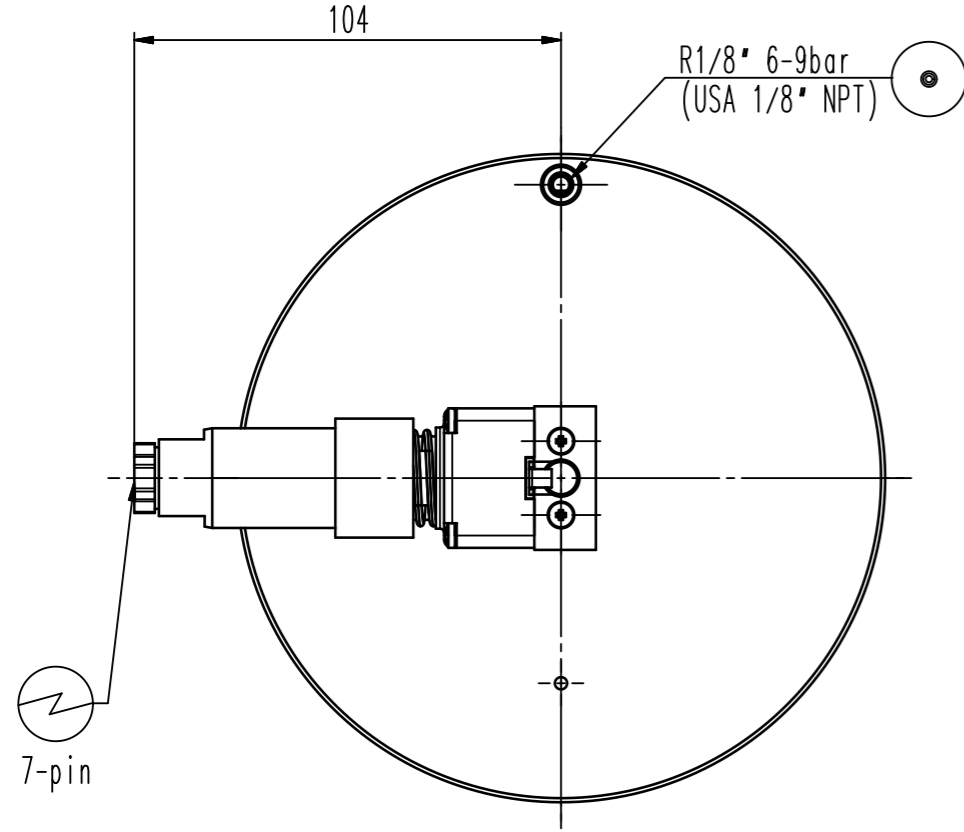


This drawing is the property of VAT.

Revision

Customer number



- ▼ Seat side
- ⊕ Comp. air connection
- ⊖ Electrical connection
- ⊙ Leak detection port
- ⊚ Mech. pos. indication
- ⊛ Position indicator
- ⊜ Required for dismantling
- ⊝ Emergency actuation
- ⊞ For attachment
- ⊟ Bake-out area
- ⊠ Differential pumping port

All-metal angle valve



VAT Vakuumentile AG  
 CH-9469 Haag, Switzerland  
 Tel ++41 81 7716161 Fax ++41 81 7714830

Date: 04.06.08  
 Name: DUM/

Series	571	Ordering No.	57132-GE21-0005
Projection	E	DN	40
		Flange	CF-R
Dimensional Drawing		373914	Rev.