



VAT Vakuumventile AG  
CH-9469 Haag, Schweiz

## Product Data Sheet

**All-Metal Angle Valve, Series 57.1, DN 40 (ID 1½")**

**OSL Article No. 57132-GE24-0003**

### Description

Flange	DN40, CF-R
Actuator	Pneumatic actuator double acting with position indicator without solenoid valve
Feedthrough	bellows

### Technical data

Leak rate	
- To the outside	$\leq 1 \cdot 10^{-10}$ mbar ls <sup>-1</sup>
- Seat	$\leq 1 \cdot 10^{-10}$ mbar ls <sup>-1</sup>
Molecular flow conductance	50 ls <sup>-1</sup>
Pressure range	UHV to 5 bar (abs)
Test pressure	1 bar
Differential pressure on the gate	
- in closing and opening direction	$\leq 5$ bar
Max. differential pressure at opening	
- in closing and opening direction	1 bar (> 1 bar at reduced cycle lifetime)
Cycles until first service	10'000
Bake-out temperature	
- Valve body	$\leq 450^{\circ}\text{C}$ if valve is opened
- Valve body	$\leq 350^{\circ}\text{C}$ if valve is closed
- Pneumatic actuator	$\leq 200^{\circ}\text{C}$ (max. 100h)
- Position indicator	$\leq 80^{\circ}\text{C}$
Heating and cooling rate	$\leq 60^{\circ}\text{C h}^{-1}$
Material	
- Body, Mechanism (in contact with media)	1.4435/1.4404, AISI 316 L; 1.4435, AISI 316 L, ESU
- Bellows	1.4404, AISI 316 L
Seal	
- Bonnet, Plate	metal
- Actuator	Viton <sup>®</sup>
Mounting position	any
Position indicator	
- 1 switch for «open» and 1 switch for «close»	
- Contact rating	$\leq 50$ V AC / DC; $\leq 1.2$ A
- 1 x 7 pole plug	
Radiation resistance	
- Valve	$10^8$ Gy ( $10^{10}$ rad)
- Actuator	$10^5$ Gy ( $10^7$ rad)
- Position indicator	$10^5$ Gy ( $10^7$ rad)

Created by: M. Greuter	Release date: 23. February 2012	Page 1 of 2
Modified by::	Release date:	<b>293786EA</b>



VAT Vakuumventile AG  
CH-9469 Haag, Schweiz

## Product Data Sheet

**All-Metal Angle Valve, Series 57.1, DN 40 (ID 1½")**

**OSL Article No. 57132-GE24-0003**

Compressed air pressure min. - max.

4 - 5 bar / 55 - 70 psig (overpressure)

Volume of air cylinder

0.32 l / 0.011 ft<sup>3</sup>

Compressed air connection

R ½" (USA ½" NPT)

Action at power failure

depending on control

Action at compressed air failure

- Valve closed
- Valve open

undefined  
undefined

Closing time

2 s

Opening time

2 s

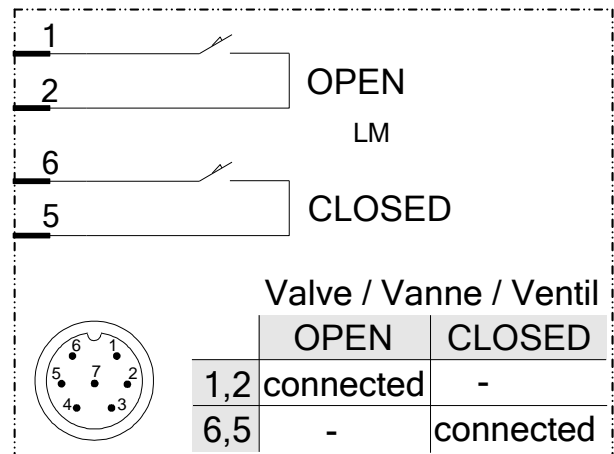
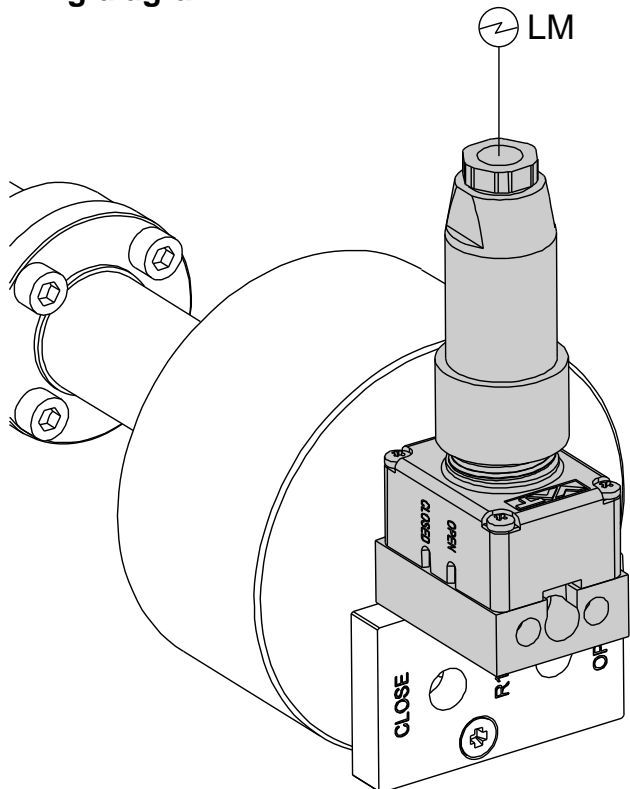
Weight

app. 6.6 kg / 14.6 lbs

### Dimensions

Dimensional drawing No. 238105

### Wiring diagram



⊕ LM Electrical connection for position indicator

Created by: M. Greuter	Release date: 23. February 2012	Page 2 of 2
Modified by::	Release date:	<b>293786EA</b>