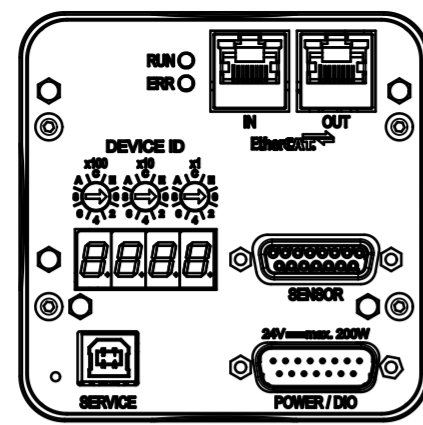
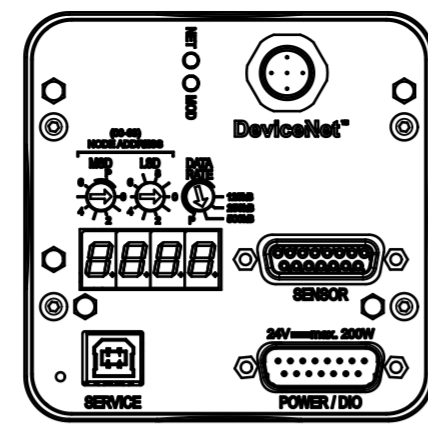




RS232 / RS485



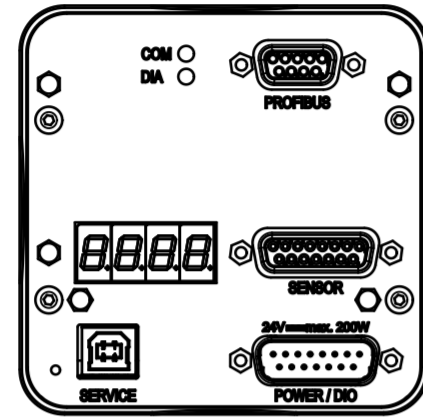
Ether CAT



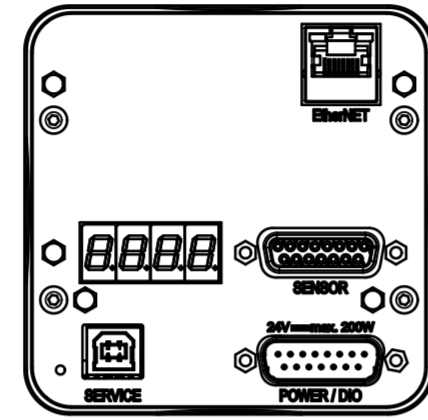
Device Net



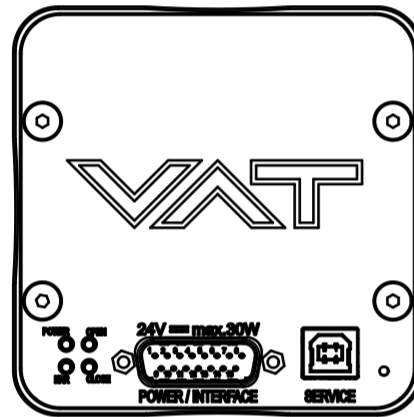
CC-Link



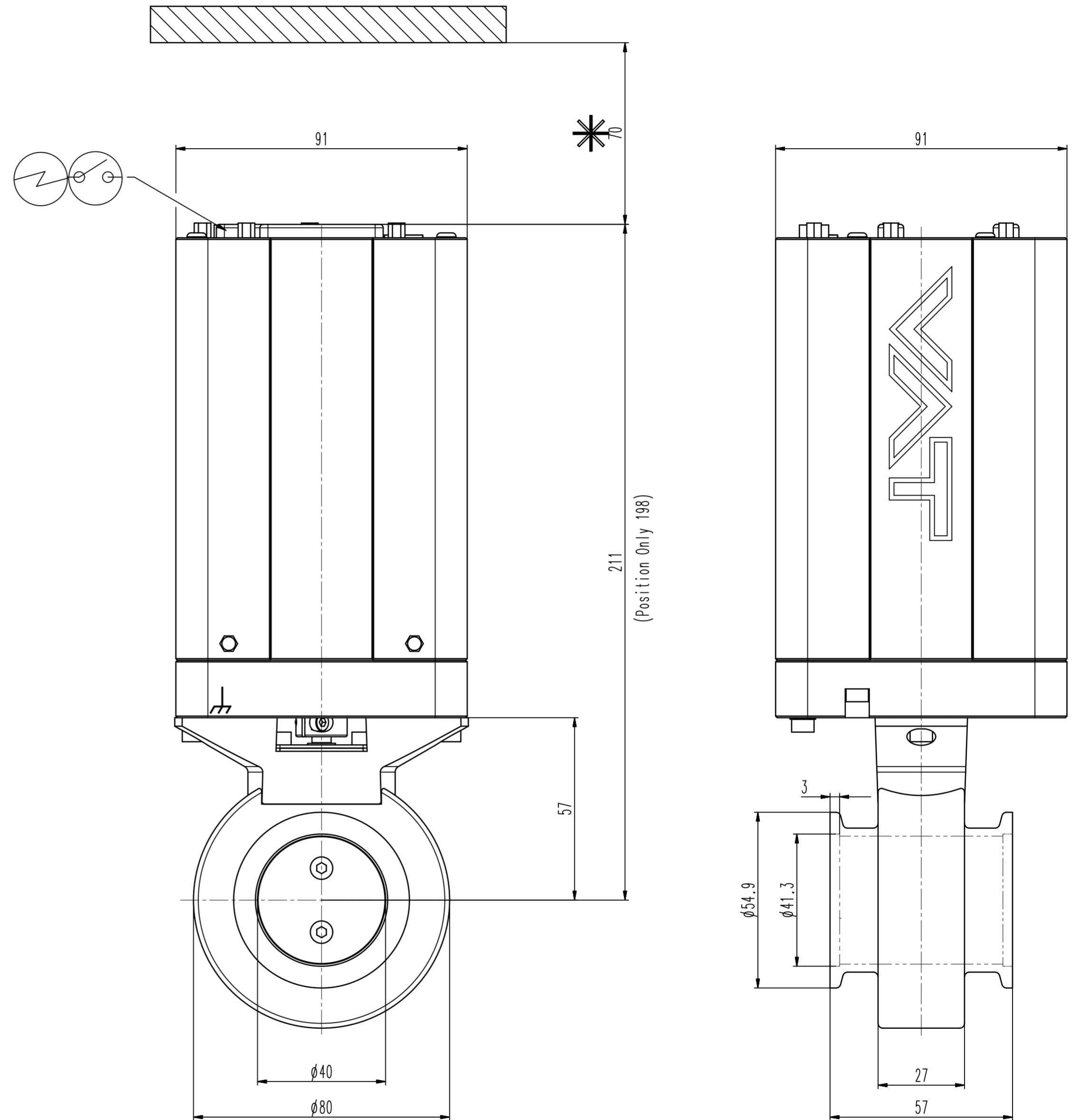
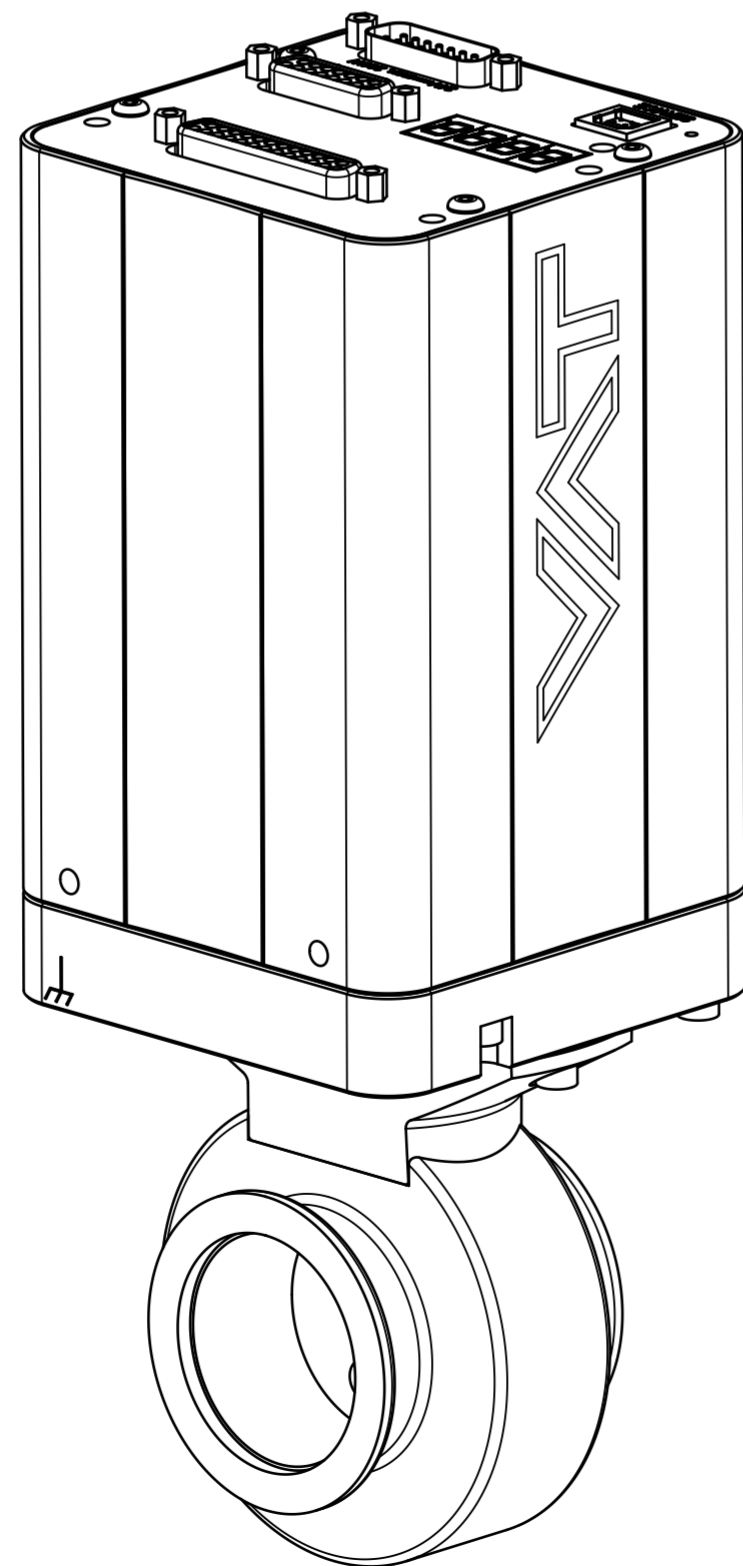
Profibus



Ether NET



Position Only



Revision

Customer number

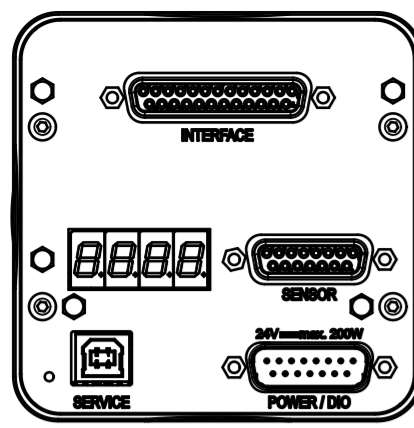
- ▼ Seat side
- ⊕ Comp. air connection
- ⊖ Electrical connection
- ⊕ Leak detection port
- ⊖ Mech. pos. indication
- ⊕ Position indicator
- ⊖ Required for dismantling
- ⊕ Emergency actuation
- ⊖ For attachment
- ⊕ Bake-out area
- ⊖ Differential pumping port

Control butterfly system  
generic dimensional drawing for all 61.3 DN40 valves

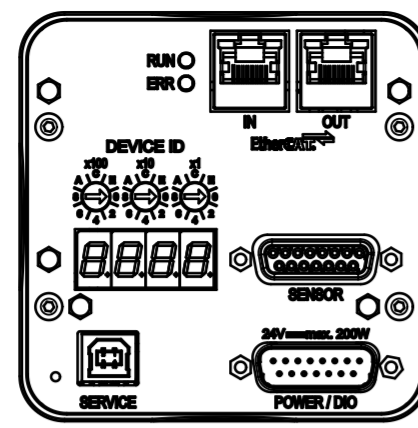
**VAT** VAT Vakuumventile AG  
CH-9469 Haag, Switzerland  
Tel. ++41 81 7716161 Fax ++41 81 7714830

Rev.-Date: 10.06.22  
Visa: HUS

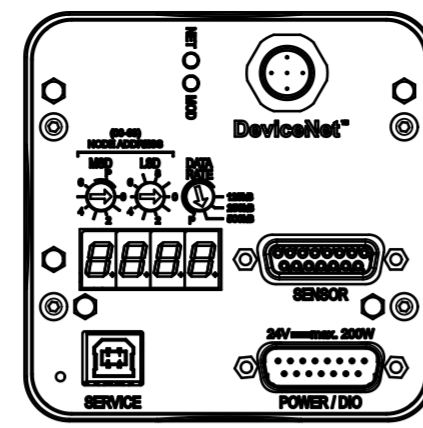
Series	613	Ordering No.	-
Projection E	DN	Flange	
	40		
Dimensional Drawing	1166803	Rev.	A



RS232 / RS485



Ether CAT



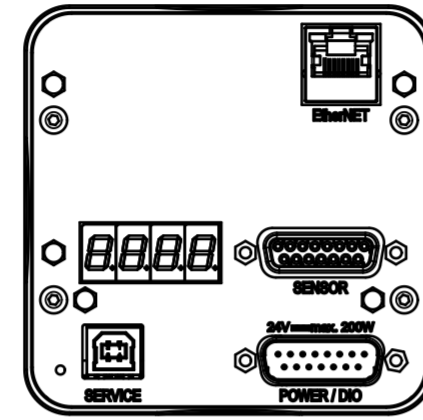
Device Net



CC-Link



Profibus



Ether NET



Position Only



Revision  
Customer number

- ▼ Seat side
- ⊙ Comp. air connection
- ⊙ Electrical connection
- ⊙ Leak detection port
- ⊙ Mech. pos. indication
- ⊙ Position indicator
- ⊙ Required for dismantling
- ⊙ Emergency actuation
- ⊙ For attachment
- ⊙ Bake-out area
- ⊙ Differential pumping port

**Control butterfly system**  
 RS232 interface / 2 sensors  
 generic dimensional drawing for all 61.3 DN40 valves

**VAT** Vakuumentile AG  
 CH-9469 Haag, Switzerland  
 Tel ++41 81 7716161 Fax ++41 81 7714830

Series	613	Ordering No.	-
Projection	E	Flange	DN
Dimensional Drawing	ISO-KF	Rev.	A
1166803			

IN WORK