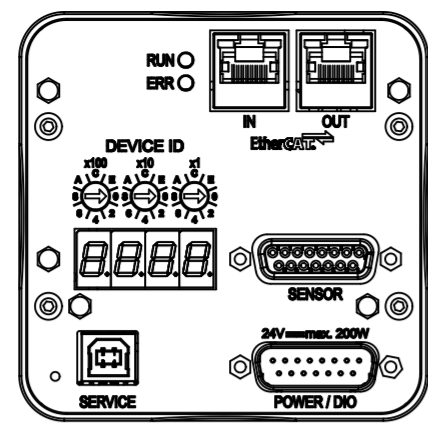
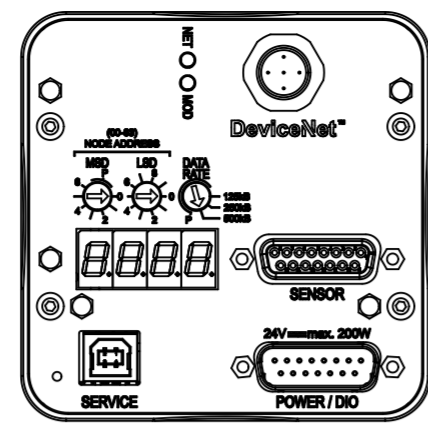


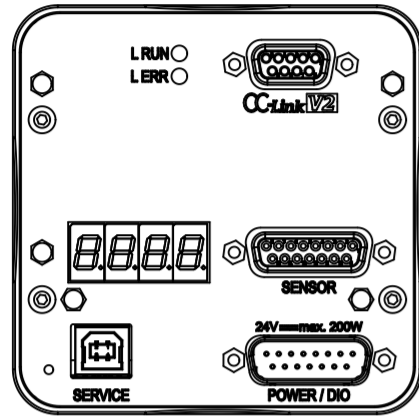
RS232 / RS485



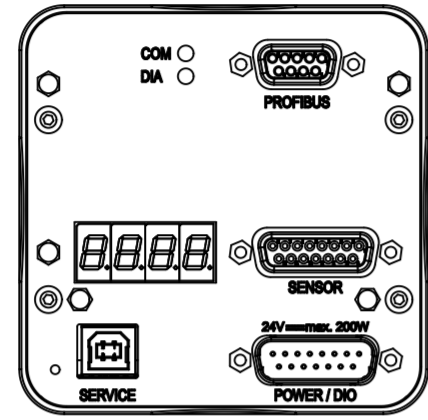
Ether CAT



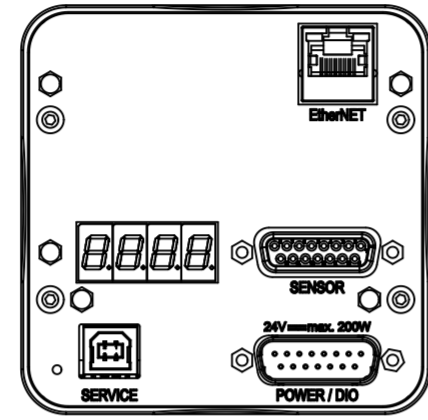
Device Net



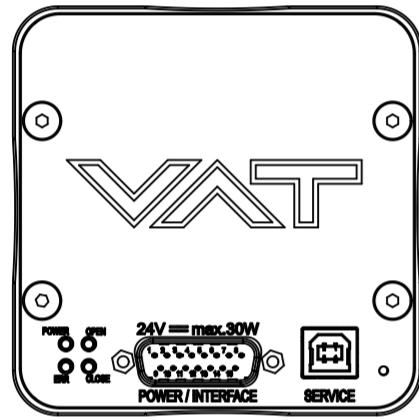
CC-Link



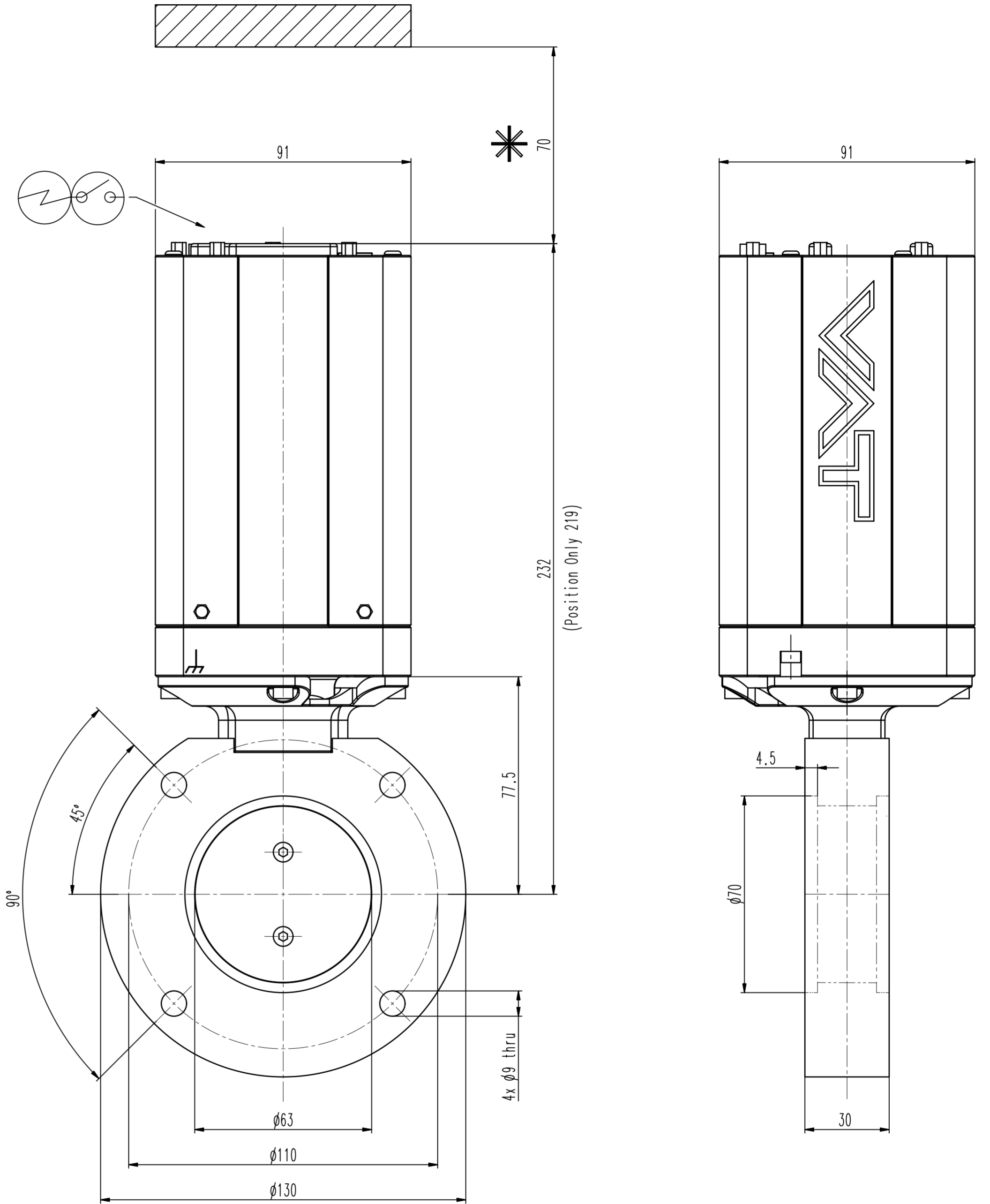
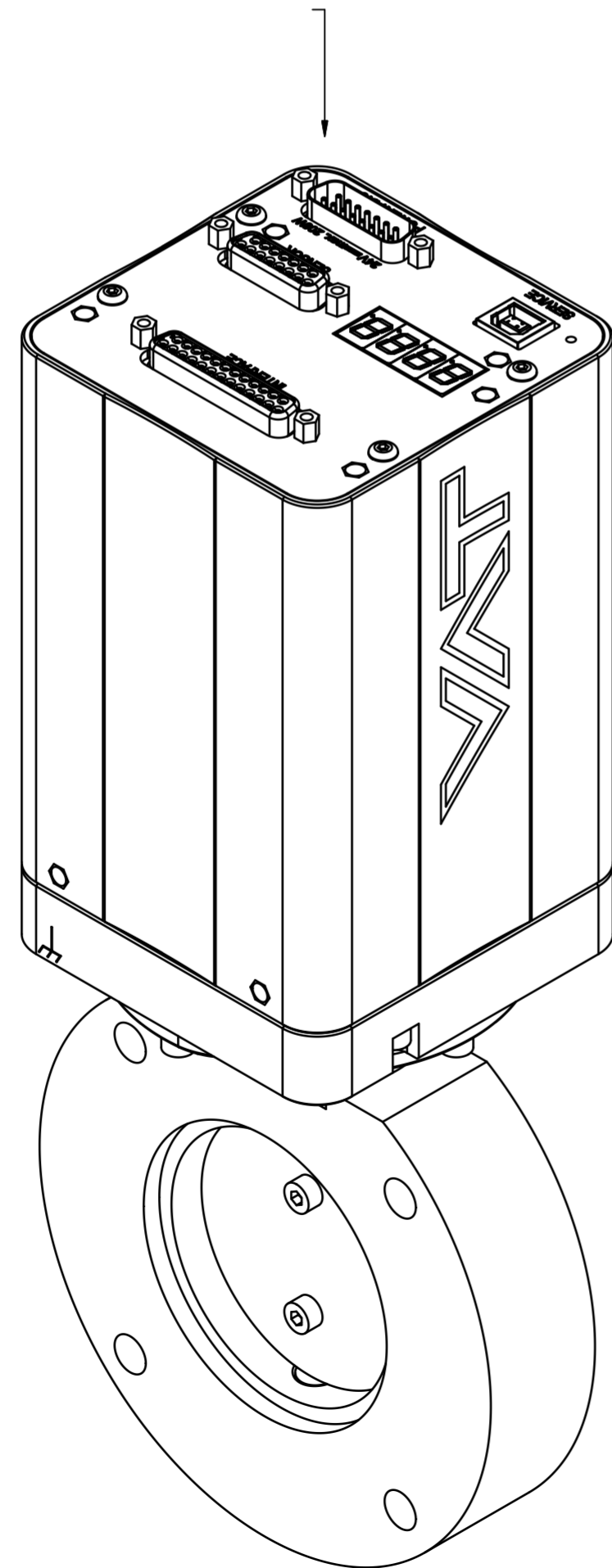
Profibus



Ether NET



Position Only



Revision
Customer number

- ▼ Seat side
- ⊕ Comp. air connection
- ⊖ Electrical connection
- ⊙ Leak detection port
- ⊕ Mech. pos. indication
- ⊖ Position indicator
- ⊙ Required for dismantling
- ⊕ Emergency actuation
- ⊖ For attachment
- ⊙ Bake-out area
- ⊕ Differential pumping port

**Control butterfly system**  
 generic dimensional drawing for all 61.3 DN63 valves

**VAT** Vakuumentile AG  
 CH-9469 Haag, Switzerland  
 Tel. ++41 81 7716161 Fax ++41 81 7714830

Rev.-Date: 10.06.22  
 Visa: HUS

Series	613	Ordering No.	-
Projection E	DN	Flange	
	63		
Dimensional Drawing	1166849	Rev.	A