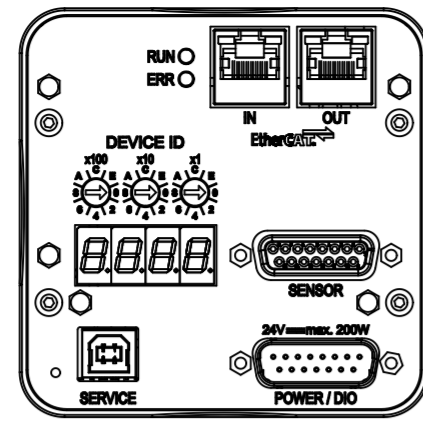
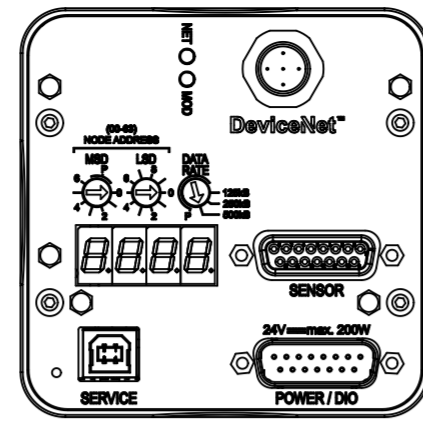


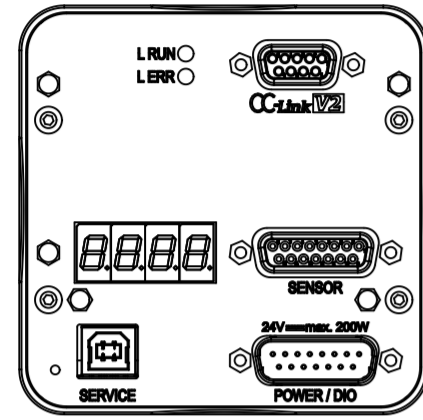
RS232 / RS485



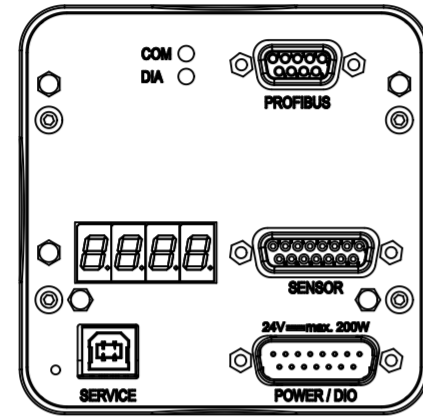
Ether CAT



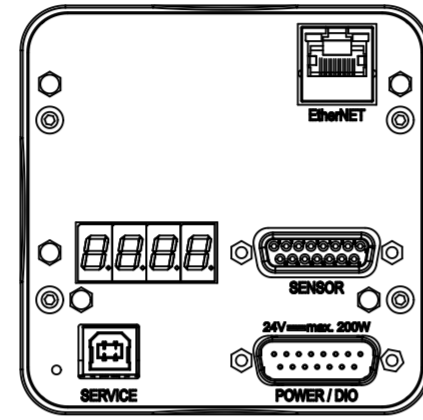
Device Net



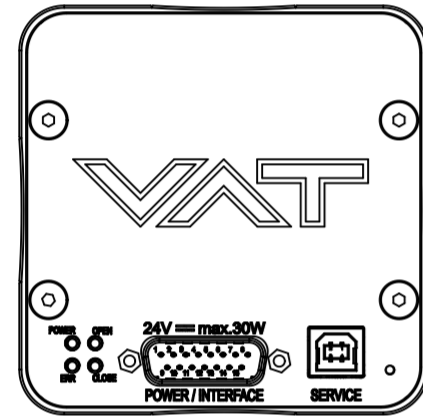
CC-Link



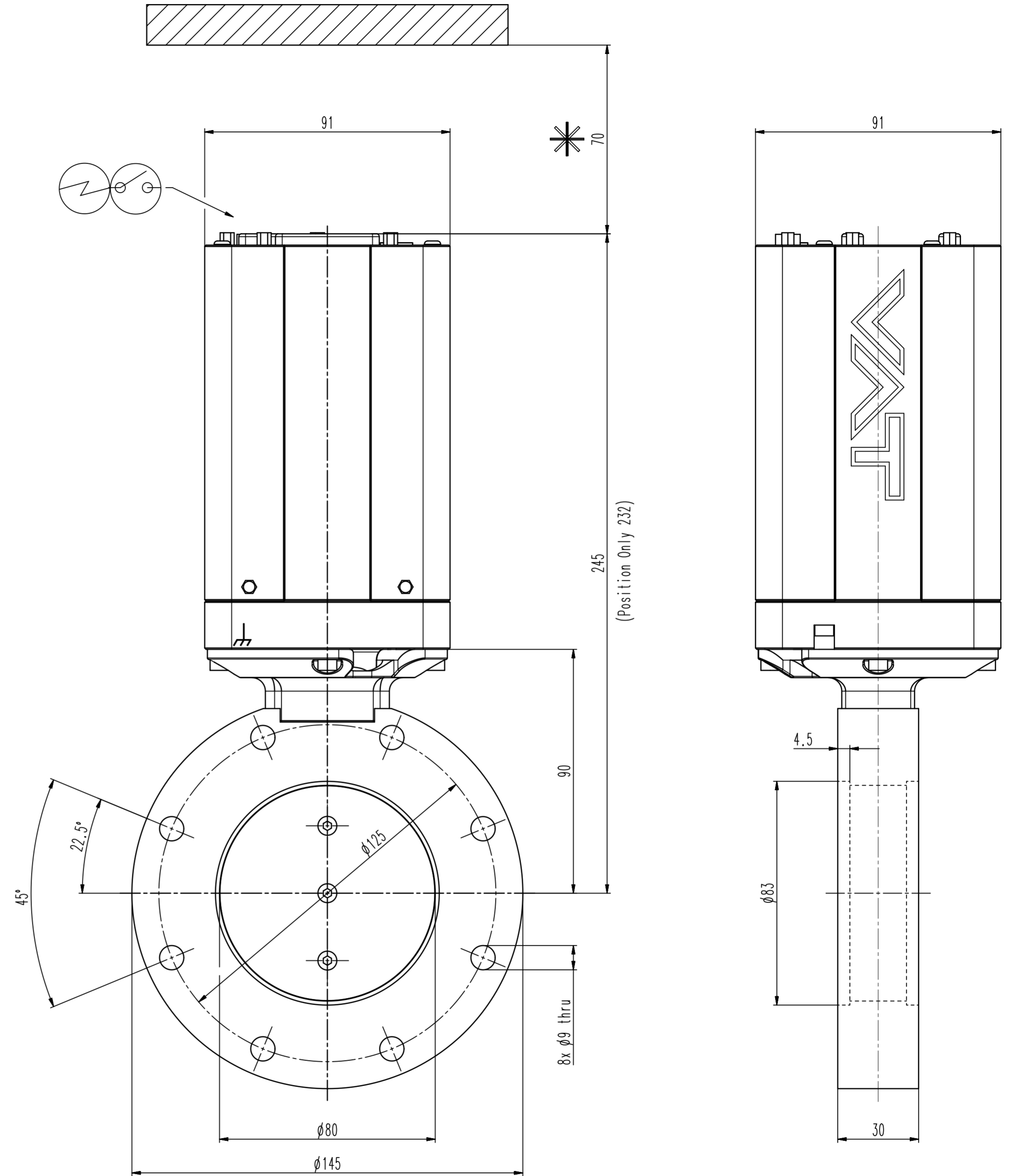
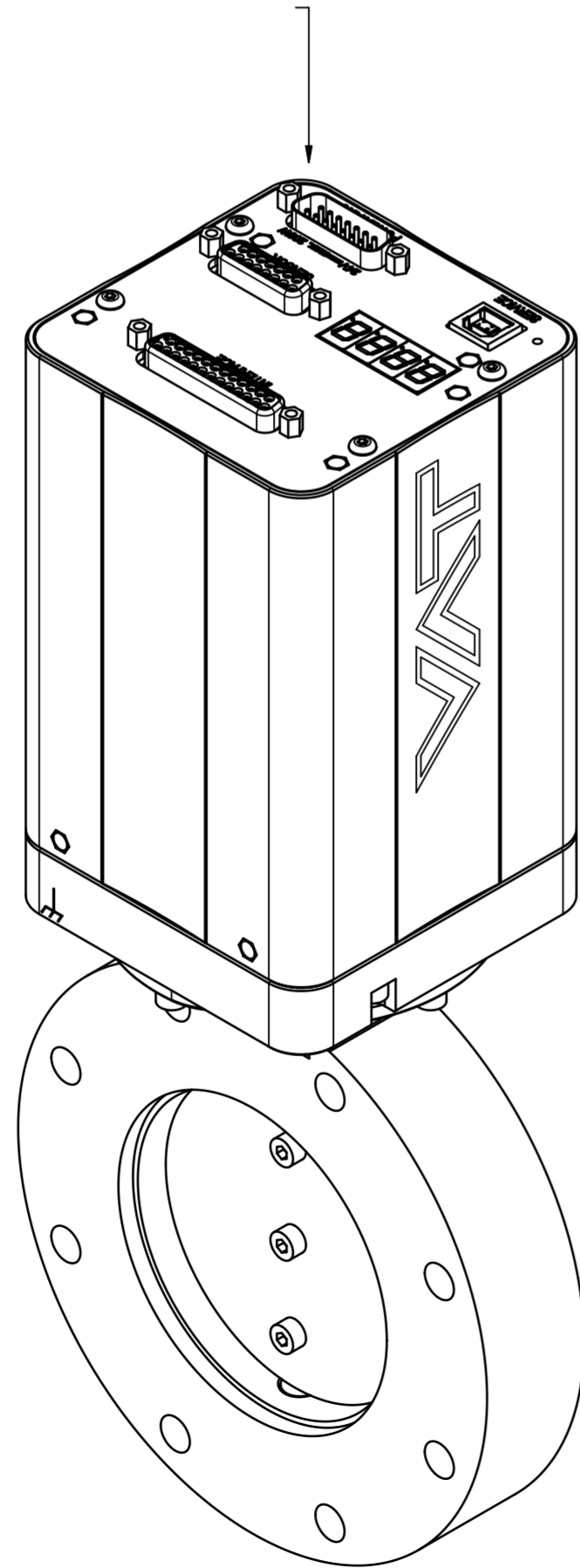
Profibus



Ether NET



Position Only



Revision  
Customer number

- ▼ Seat side
- ⊕ Comp. air connection
- ⊖ Electrical connection
- ⊕ Leak detection port
- ⊖ Mech. pos. indication
- ⊕ Position indicator
- ⊖ Required for dismantling
- ⊕ Emergency actuation
- ⊖ For attachment
- ⊕ Bake-out area
- ⊖ Differential pumping port

**Control butterfly system**  
generic dimensional drawing for all 61.3 DN80 valves

**VAT** Vakuumentile AG  
CH-9469 Haag, Switzerland  
Tel. ++41 81 7716161 Fax ++41 81 7714830

Rev.-Date: 10.06.22  
Visa: HUS

Series	613	Ordering No.	-
Projection E	DN	Flange	
	80		
Dimensional Drawing	1166862	Rev.	A