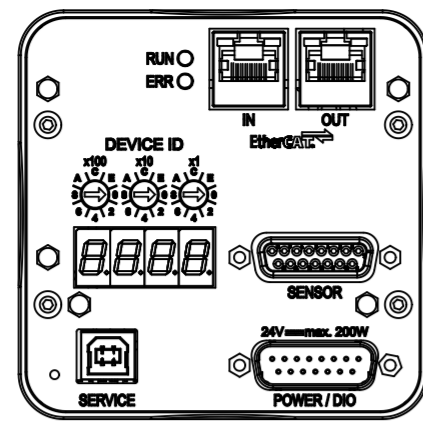
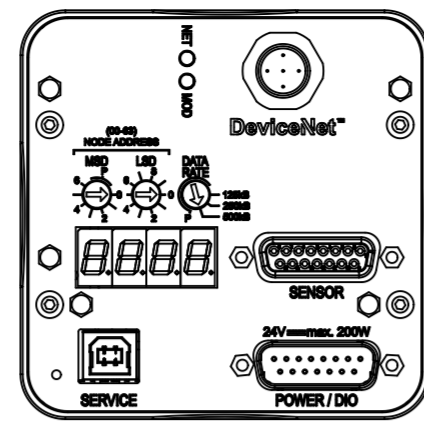


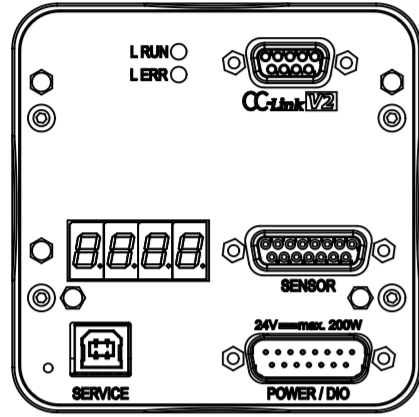
RS232 / RS485



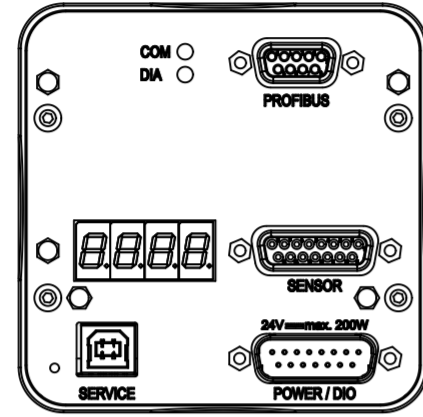
Ether CAT



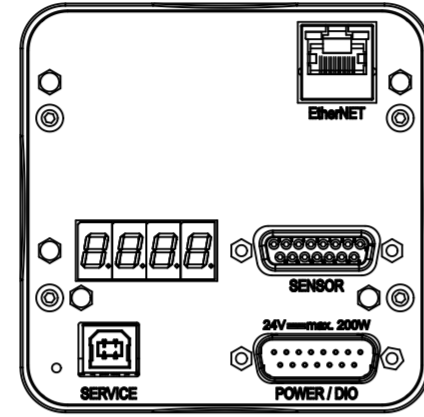
Device Net



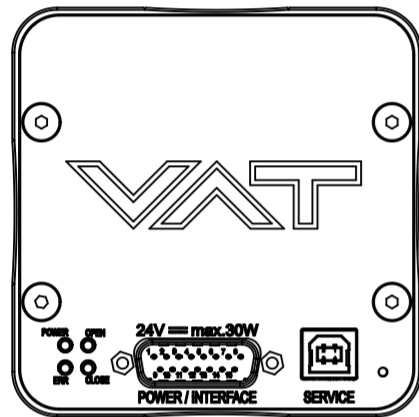
CC-Link



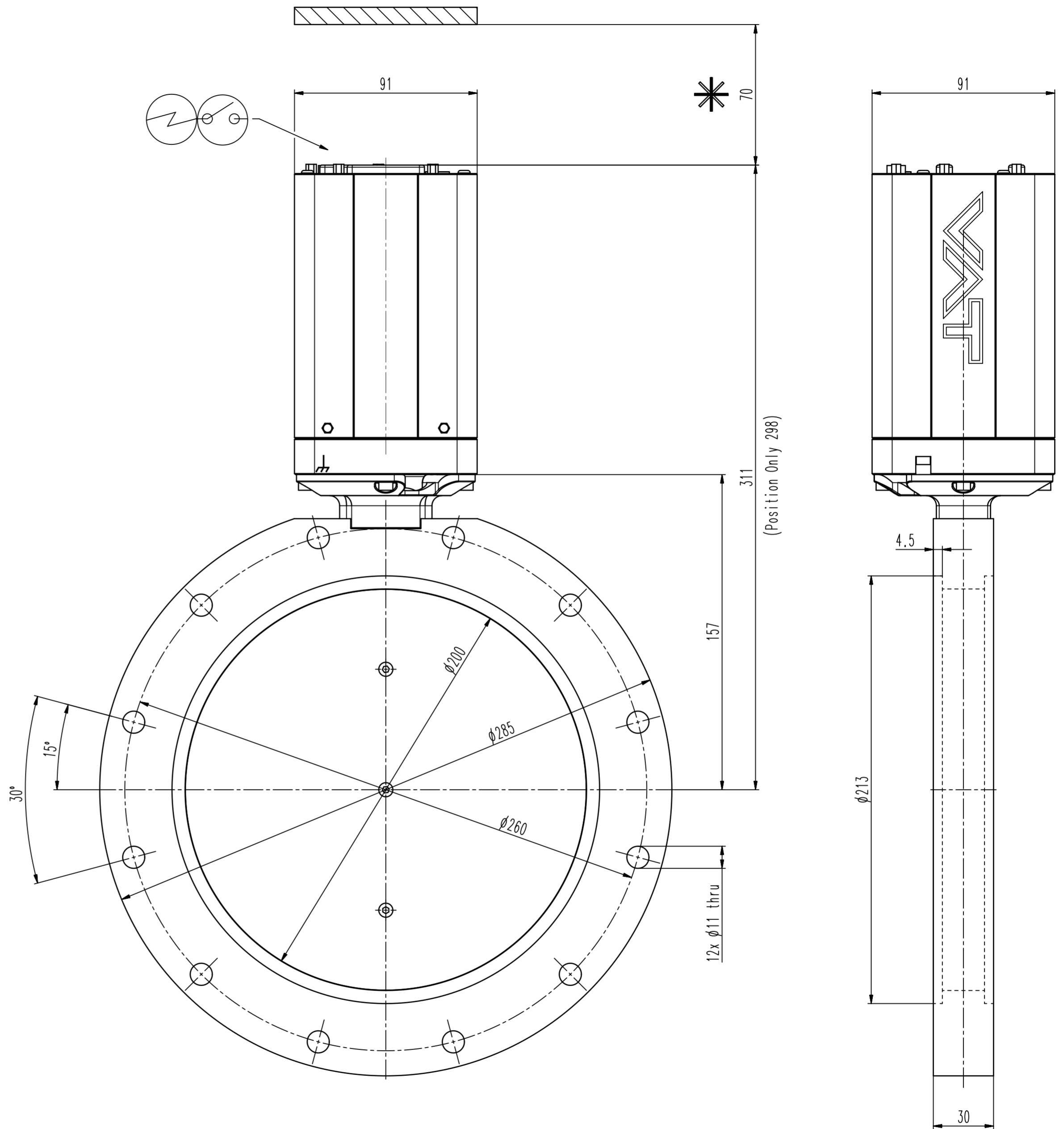
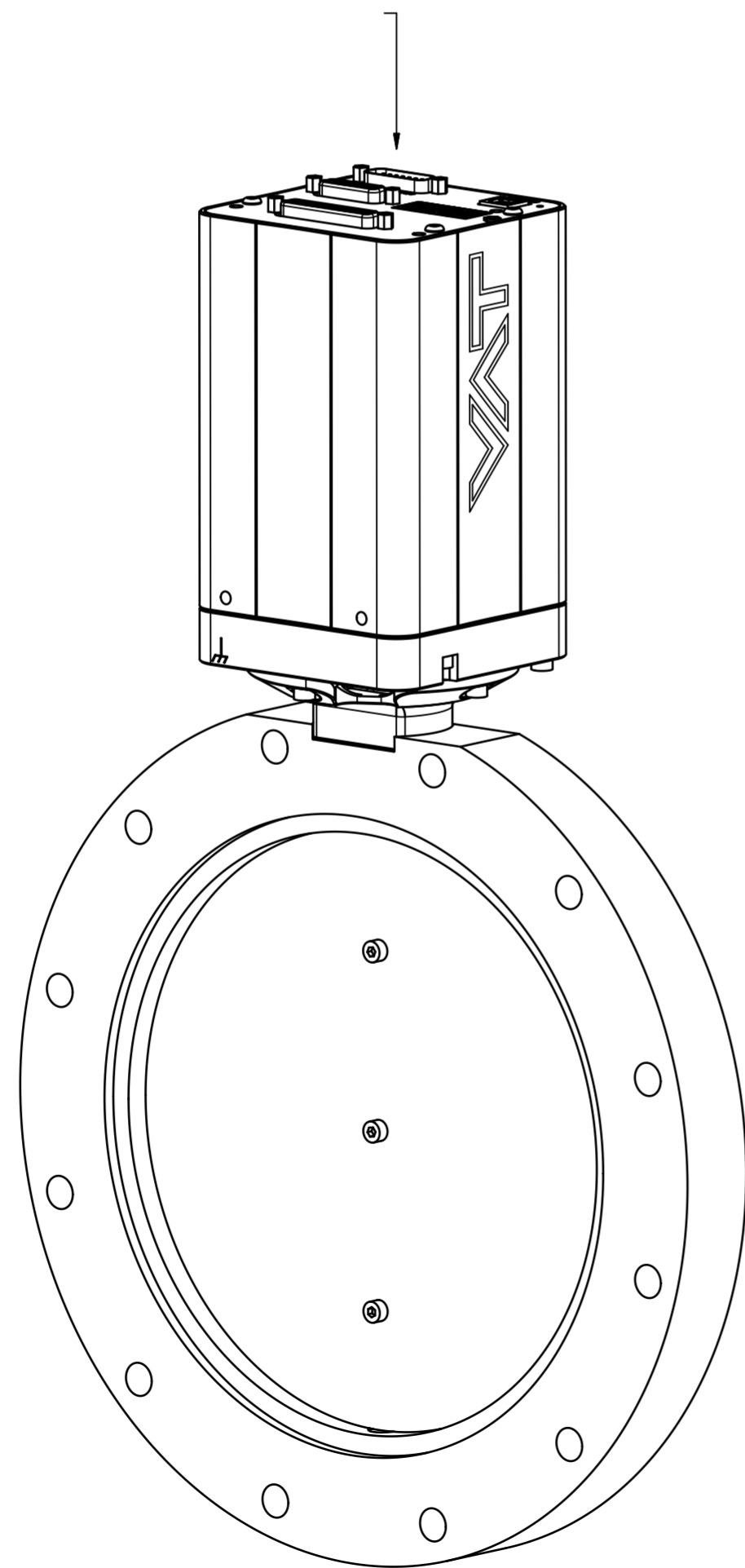
Profibus



Ether NET



Position Only



Revision  
Customer number

- ▼ Seat side
- ⊕ Comp. air connection
- ⊖ Electrical connection
- ⊗ Leak detection port
- ⊙ Mech. pos. indication
- ⊚ Position indicator
- ⊛ Required for dismantling
- ⊜ Emergency actuation
- ⊝ For attachment
- ⊞ Bake-out area
- ⊟ Differential pumping port

**Control butterfly system**  
generic dimensional drawing for all 61.3 DN200 valves

**VAT** VAT Vakuumventile AG  
CH-9469 Haag, Switzerland  
Tel ++41 81 7716161 Fax ++41 81 7714830

Rev.-Date: 10.06.22  
Visa: HUS

Series	613	Ordering No.	-
Projection E	DN	Flange	
	200		
Dimensional Drawing	1166878	Rev.	A