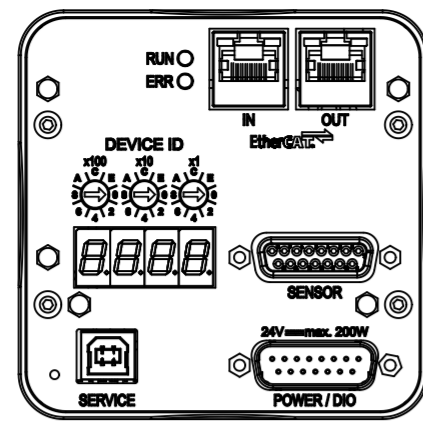
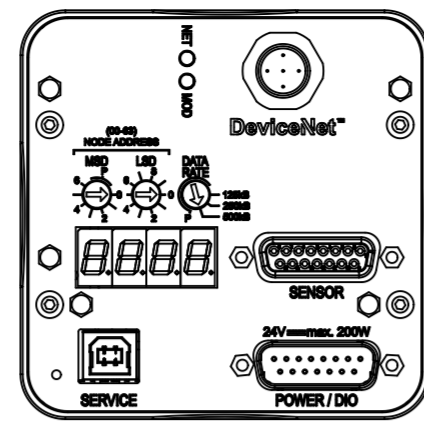


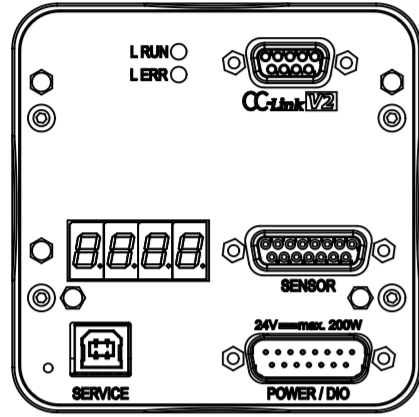
RS232 / RS485



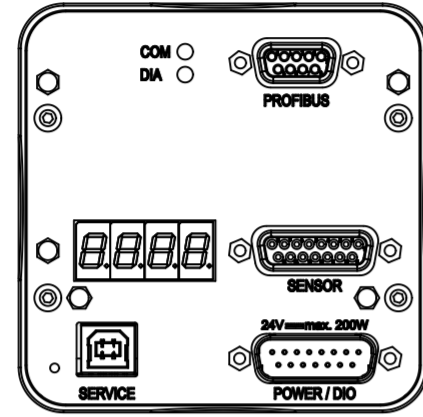
Ether CAT



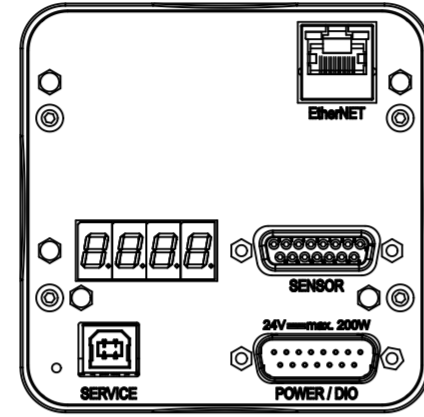
Device Net



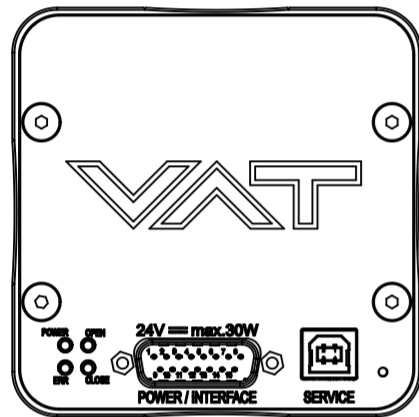
CC-Link



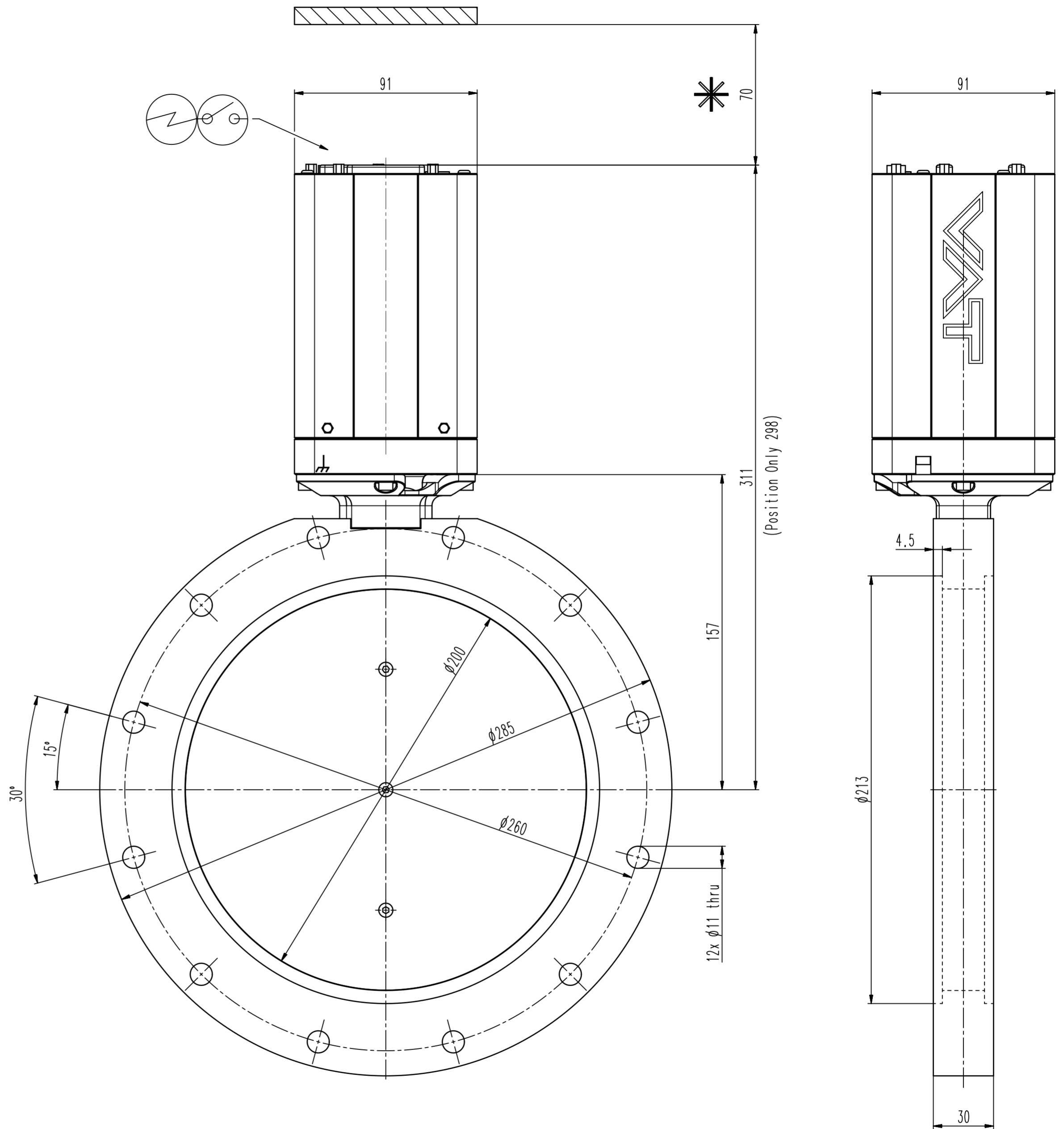
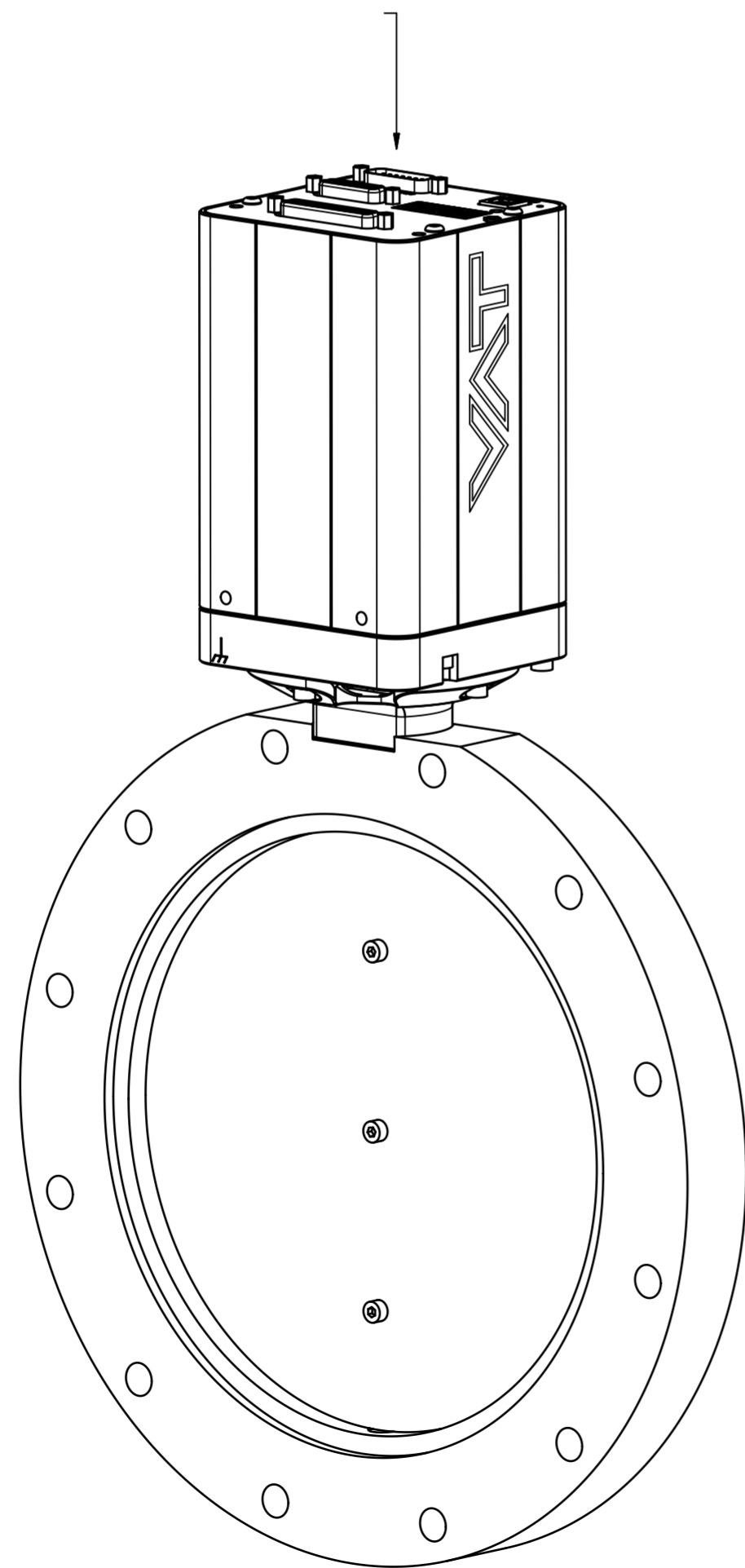
Profibus



Ether NET



Position Only



Revision  
Customer number

- ▼ Seat side
- ⊕ Comp. air connection
- ⊖ Electrical connection
- ⊙ Leak detection port
- ⊕ Mech. pos. indication
- ⊖ Position indicator
- ⊙ Required for dismantling
- ⊕ Emergency actuation
- ⊖ For attachment
- ⊙ Bake-out area
- ⊕ Differential pumping port

**Control butterfly system**  
generic dimensional drawing for all 61.3 DN200 valves

**VAT** Vakuumentile AG  
CH-9469 Haag, Switzerland  
Tel ++41 81 7716161 Fax ++41 81 7714830

Rev.-Date: 10.06.22  
Visa: HUS

|                     |         |              |   |
|---------------------|---------|--------------|---|
| Series              | 613     | Ordering No. | - |
| Projection E        | DN      | Flange       |   |
|                     | 200     |              |   |
| Dimensional Drawing | 1166878 | Rev.         | A |