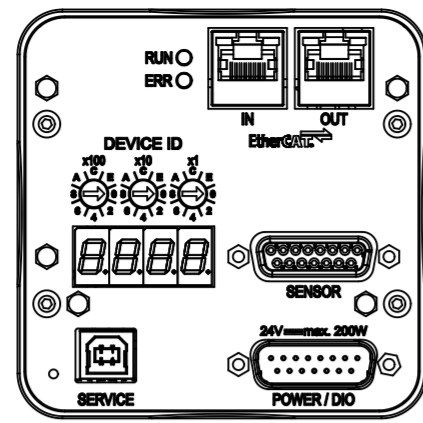
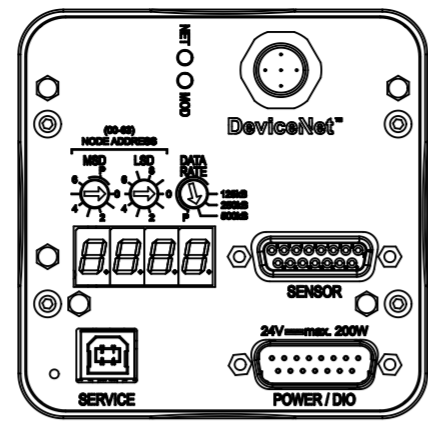


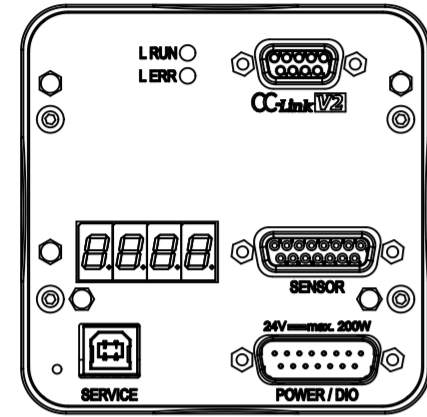
RS232 / RS485



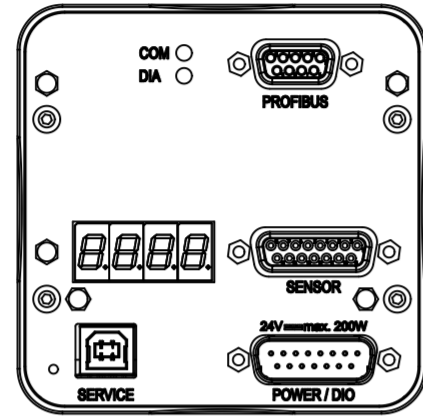
Ether CAT



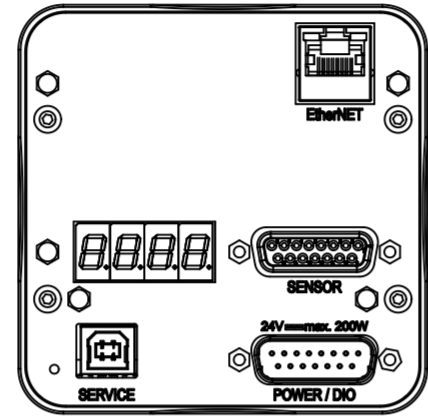
Device Net



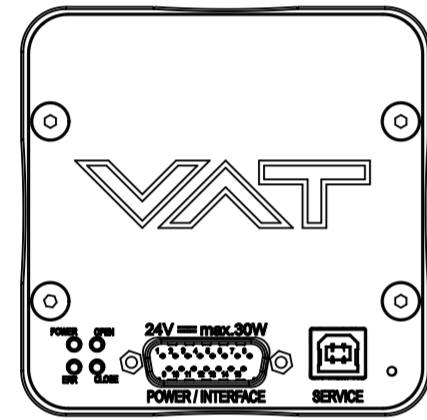
CC-Link



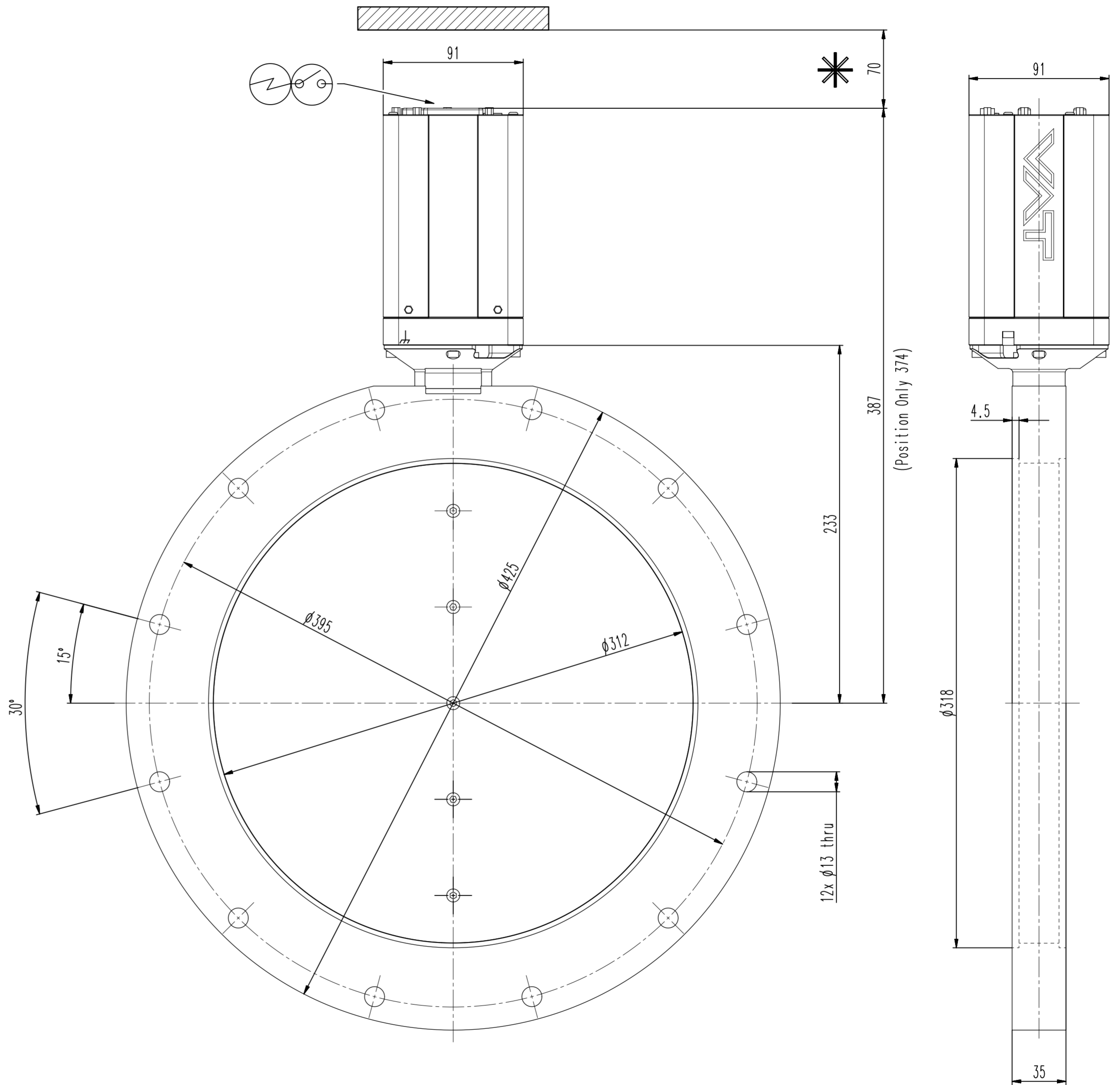
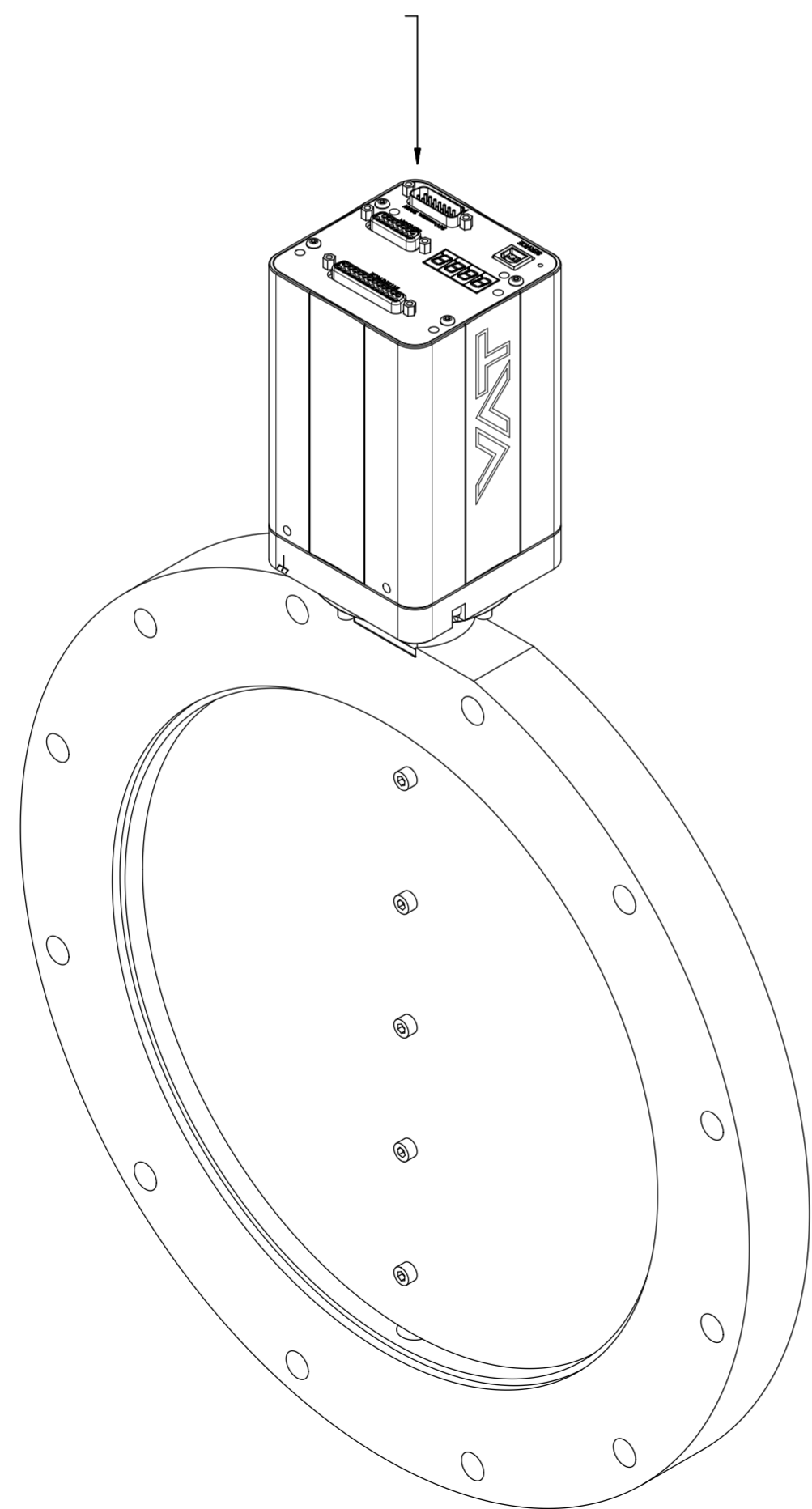
Profibus



Ether NET



Position Only



Revision  
Customer number

- ▼ Seat side
- ◀ Comp. air connection
- ⊕ Electrical connection
- ⊗ Leak detection port
- ⊙ Mech. pos. indication
- ⊕ Position indicator
- ⊗ Required for dismantling
- ⊙ Emergency actuation
- ⊕ For attachment
- ⊗ Bake-out area
- ⊙ Differential pumping port

**Control butterfly system**  
generic dimensional drawing for all 613 DN320 valves

**VAT** Vakuumentile AG  
CH-9469 Haag, Switzerland  
Tel ++41 81 7716161 Fax ++41 81 7714830

Rev.-Date: 13.06.22  
Visa: HUS

Series	613	Ordering No.	-
Projection E	DN	Flange	
	320		
Dimensional Drawing	1167038	Rev.	A