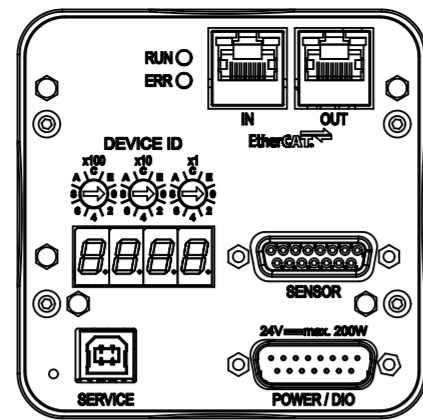
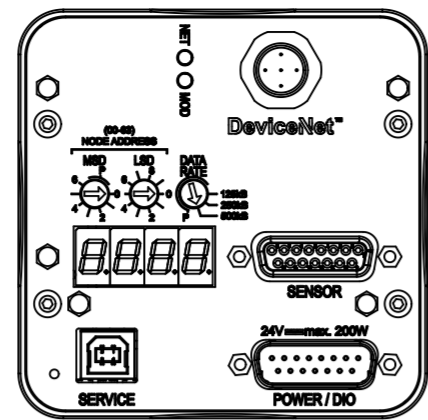


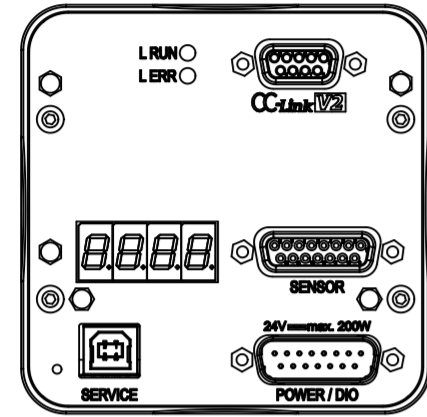
RS232 / RS485



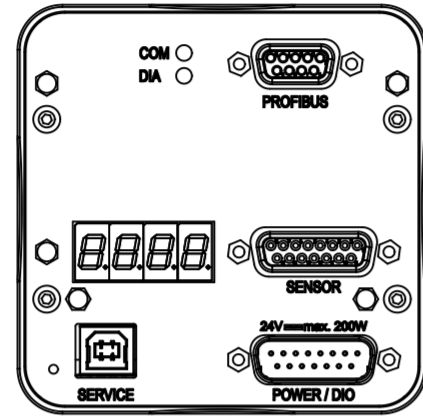
Ether CAT



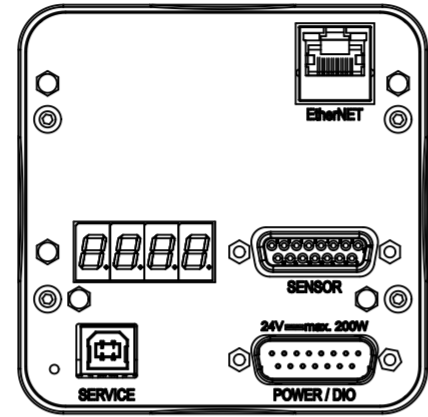
Device Net



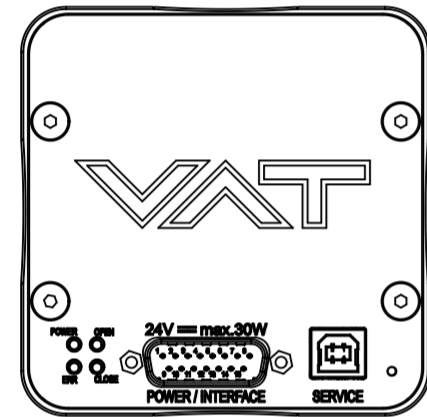
CC-Link



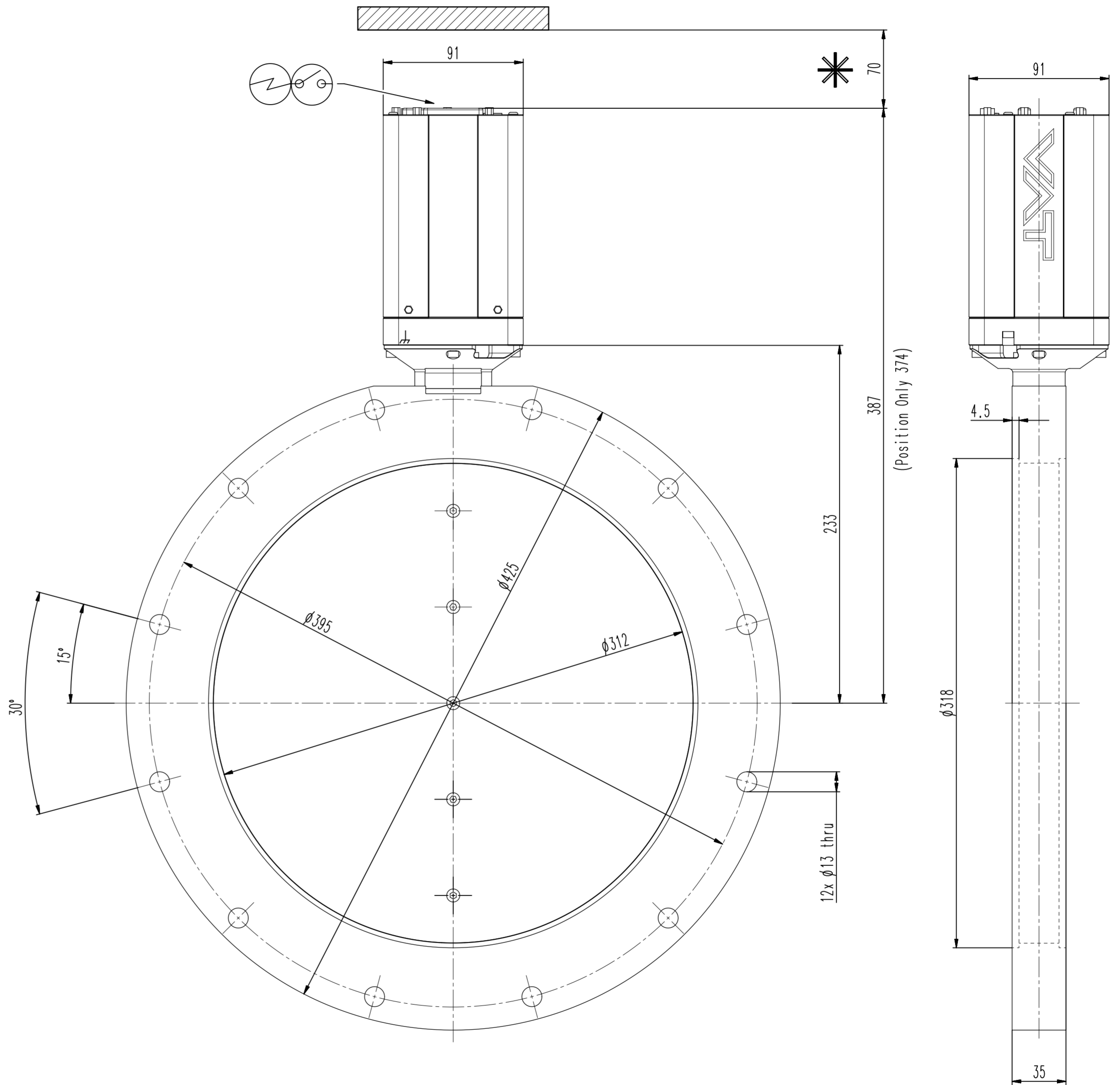
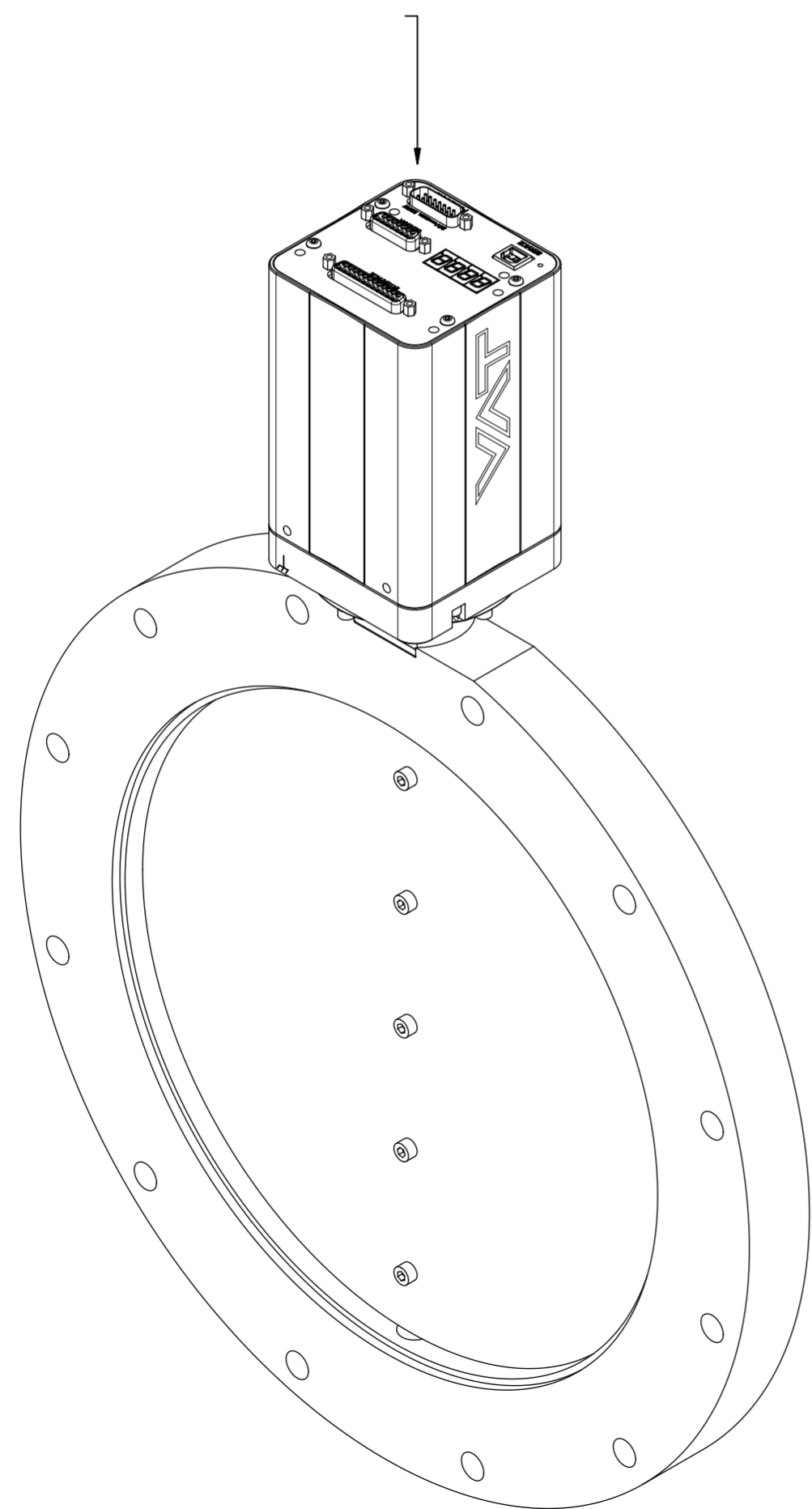
Profibus



Ether NET



Position Only



Revision

Customer number

- ▼ Seat side
- ⊙ Comp. air connection
- ⊙ Electrical connection
- ⊙ Leak detection port
- ⊙ Mech. pos. indication
- ⊙ Position indicator
- ⊙ Required for dismantling
- ⊙ Emergency actuation
- ⊙ For attachment
- ⊙ Bake-out area
- ⊙ Differential pumping port

**Control butterfly system**  
generic dimensional drawing for all 61.3 DN320 valves

**VAT** VAKUUMVENTILE AG  
CH-9469 Haag, Switzerland  
Tel ++41 81 7716161 Fax ++41 81 7714830

Rev.-Date: 13.06.22  
Visa: HUS

|                     |         |              |   |
|---------------------|---------|--------------|---|
| Series              | 613     | Ordering No. | - |
| Projection E        | DN      | Flange       |   |
|                     | 320     |              |   |
| Dimensional Drawing | 1167038 | Rev.         | A |