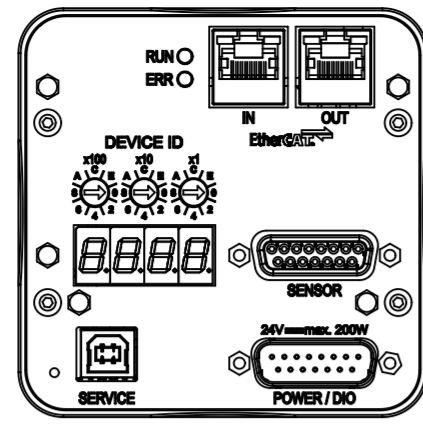
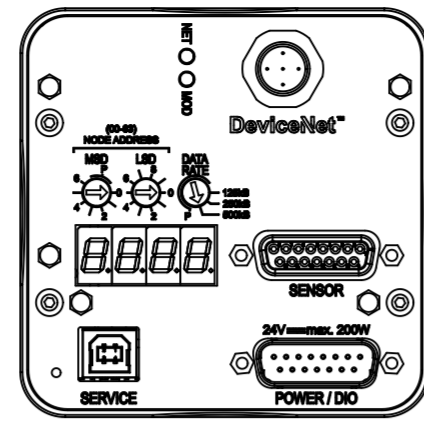


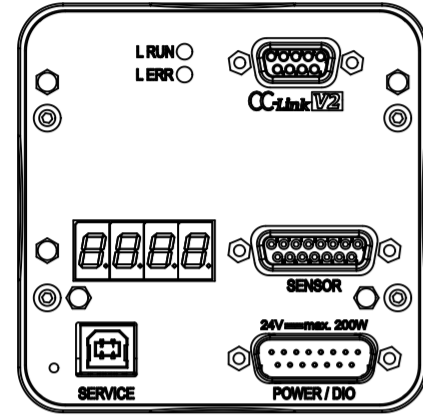
RS232 / RS485



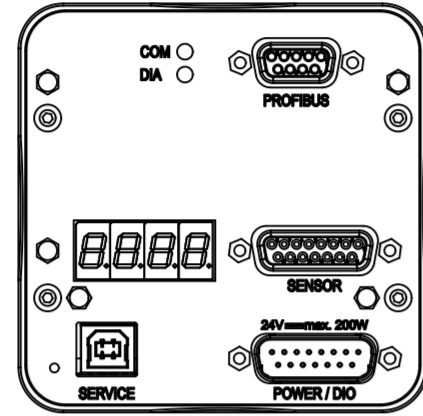
Ether CAT



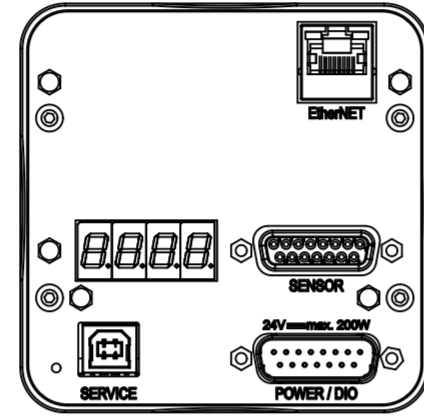
Device Net



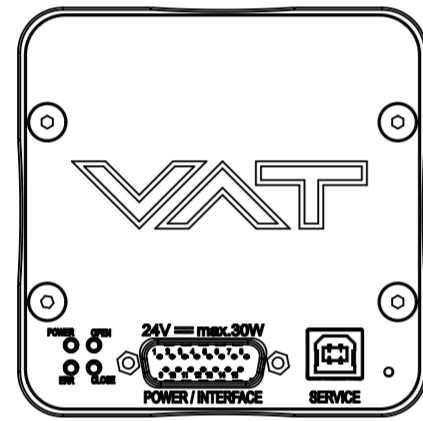
CC-Link



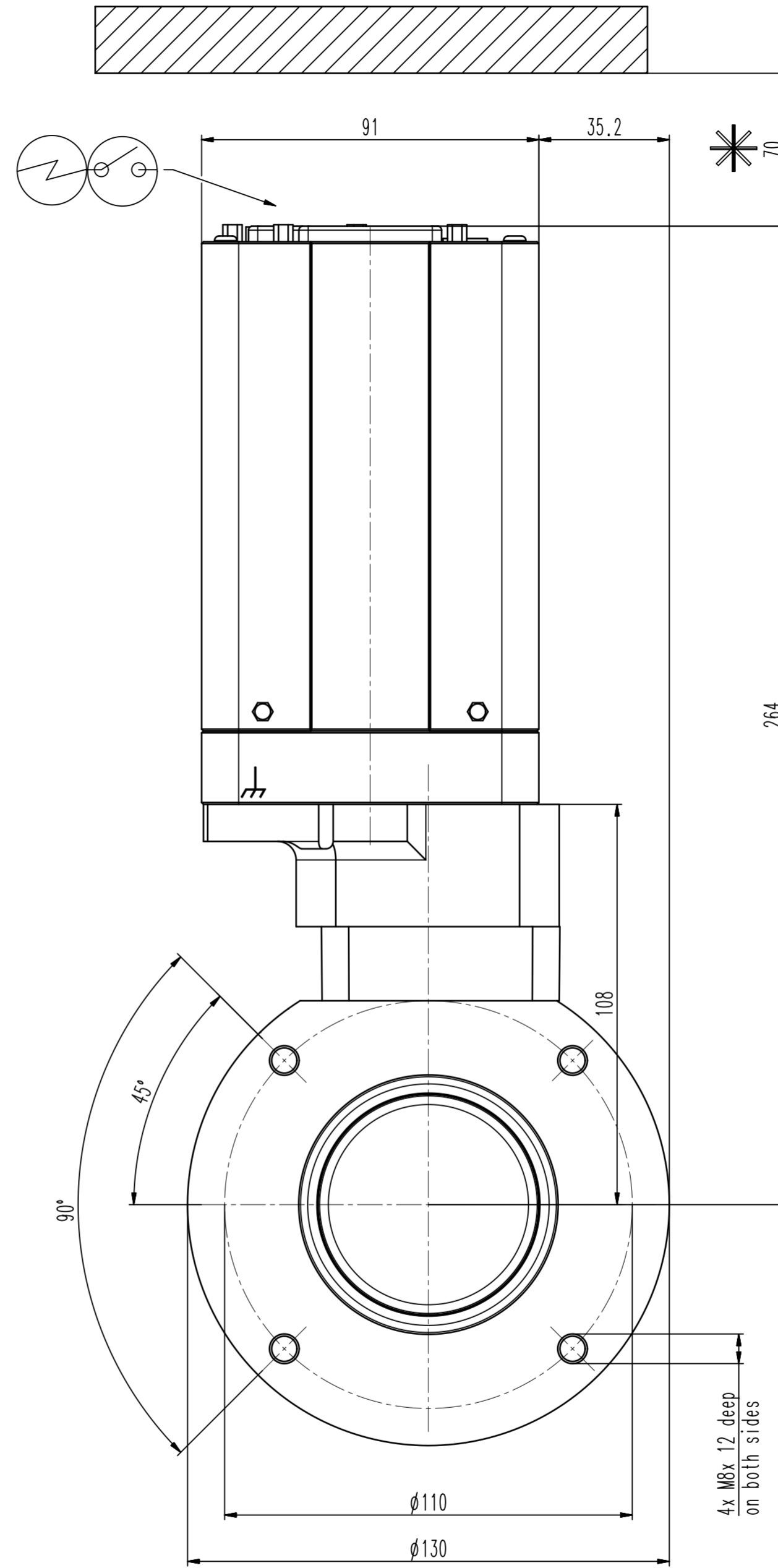
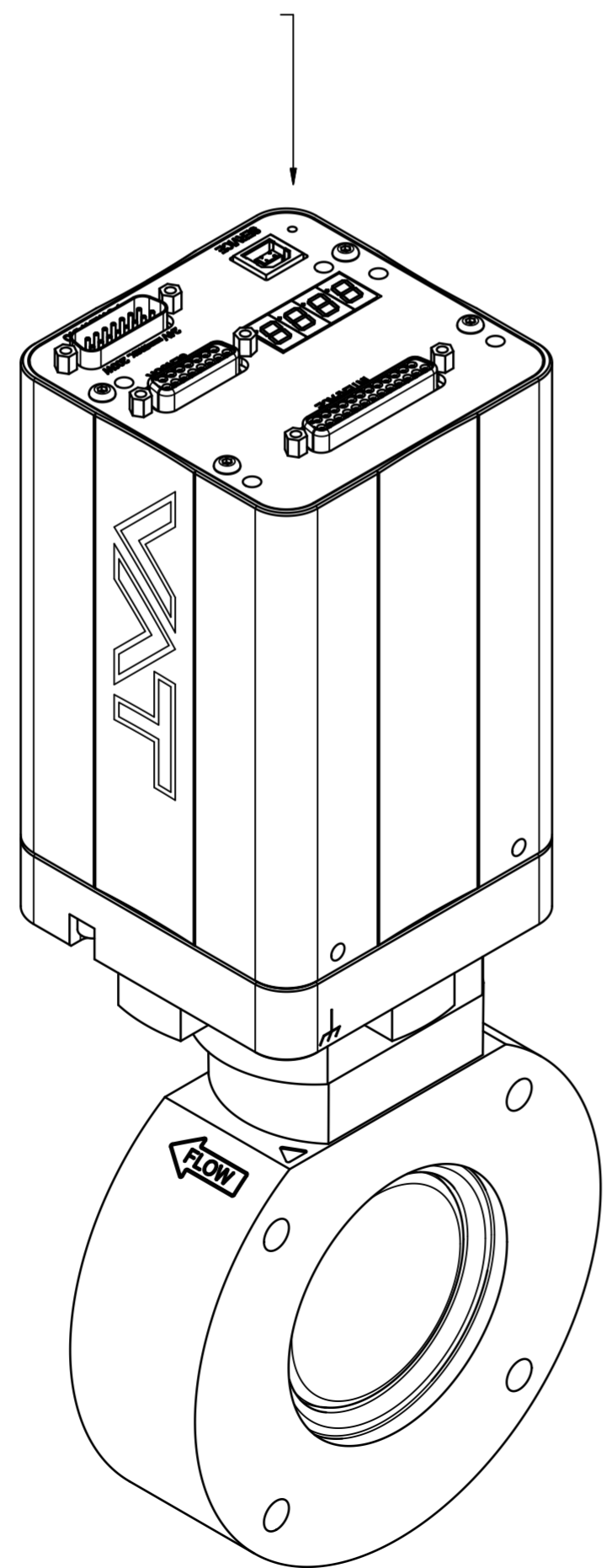
Profibus



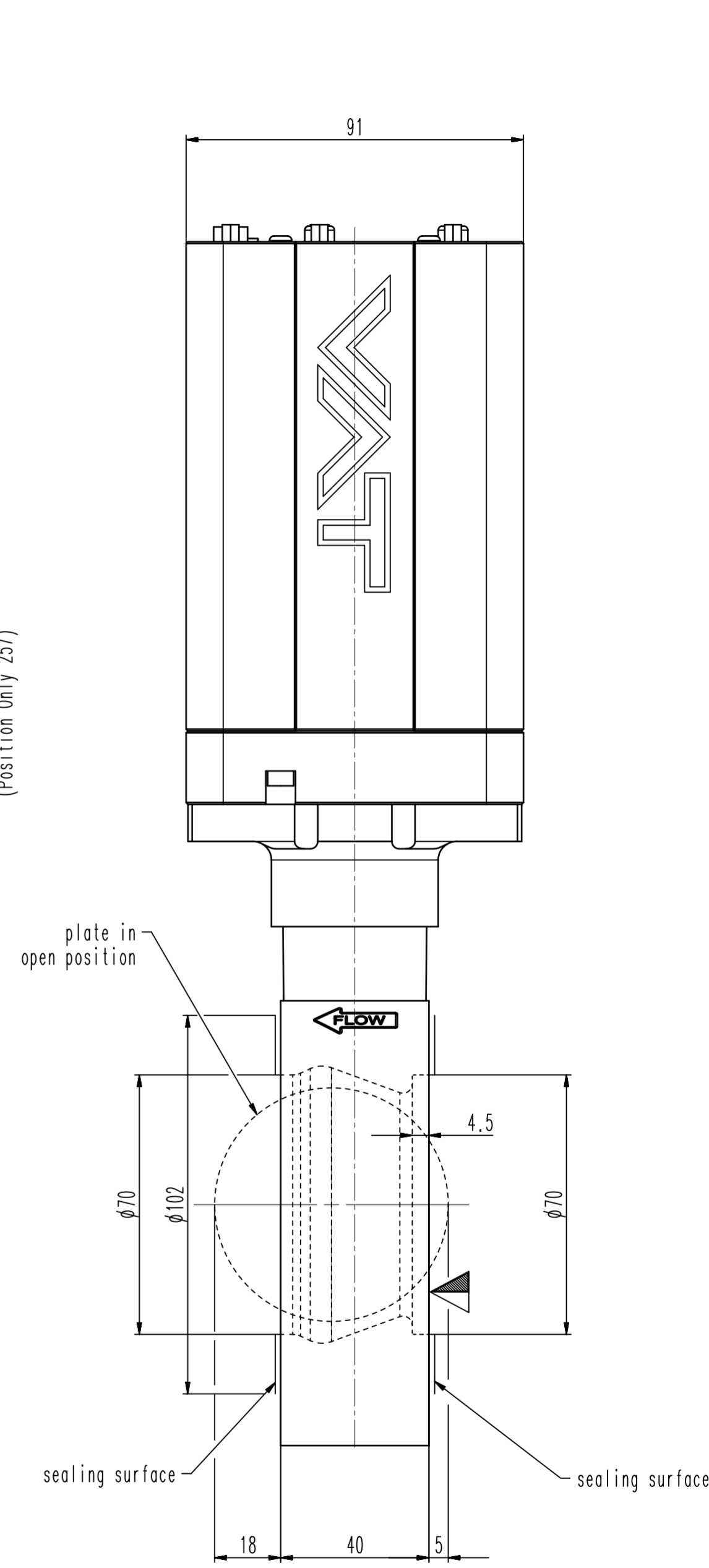
Ether NET



Position Only



(Position Only 257)



Revision
Customer number

- ▼ Seat side
- ◀ Comp. air connection
- ⊕ Electrical connection
- ⊗ Leak detection port
- ⊙ Mech. pos. indication
- ⊖ Position indicator
- ⊛ Required for dismantling
- ⊚ Emergency actuation
- ⊙ For attachment
- ⊙ Bake-out area
- ⊙ Differential pumping port

Control butterfly with isolation function
generic dimensional drawing for all 61.6 DN63 valves



VAT Vakuumventile AG
CH-9469 Haag, Switzerland
Tel ++41 81 7716161 Fax ++41 81 7714830

Rev.-Date: 10.06.22
Visa: HUS

| | | | |
|---------------------|---------|--------------|---|
| Series | 616 | Ordering No. | - |
| Projection E | DN | Flange | |
| | 63 | | |
| Dimensional Drawing | 1166911 | Rev. | A |