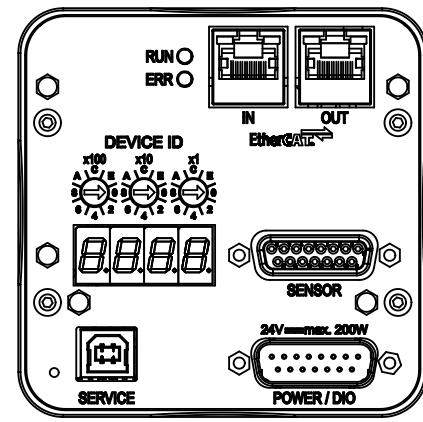
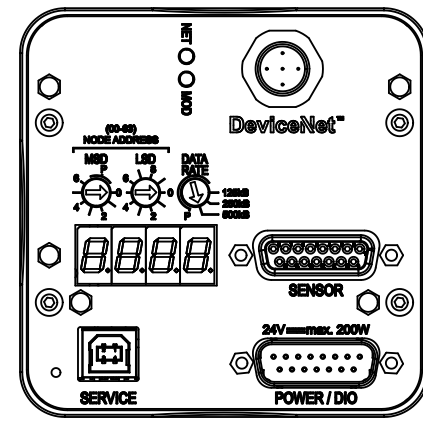


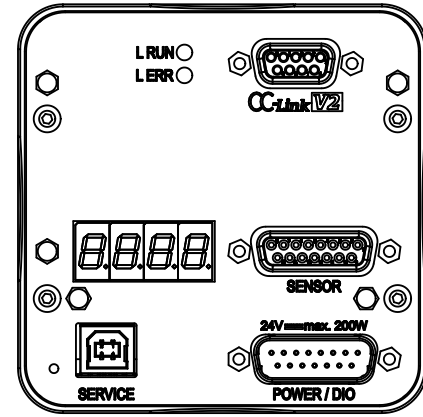
RS232 / RS485



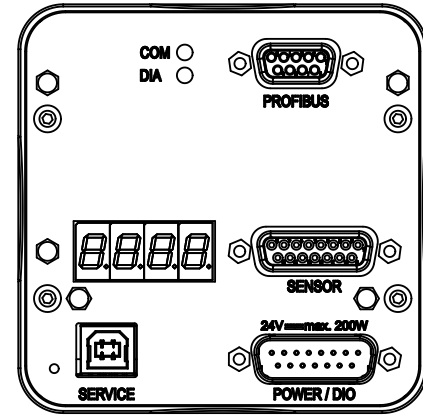
Ether CAT



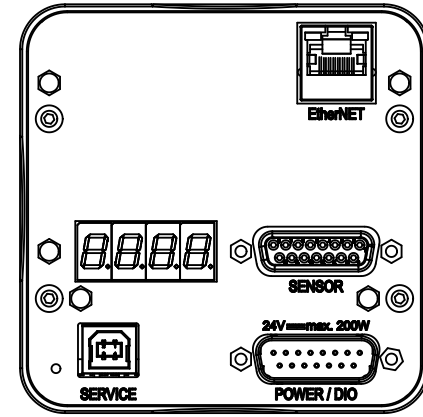
Device Net



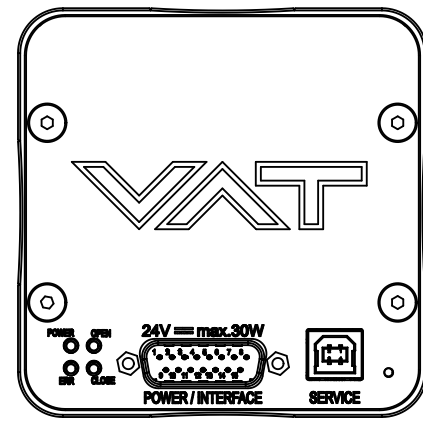
CC-Link



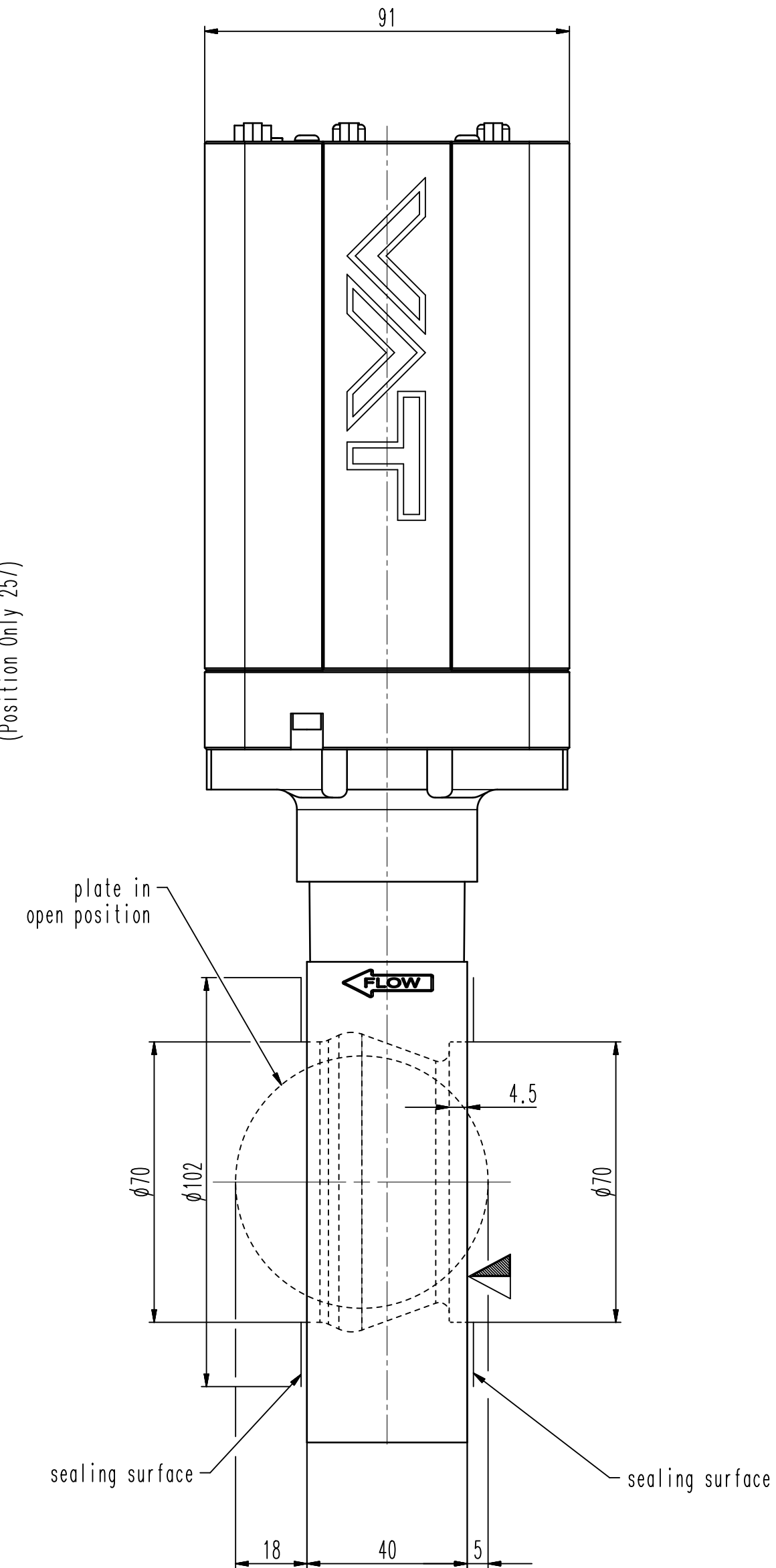
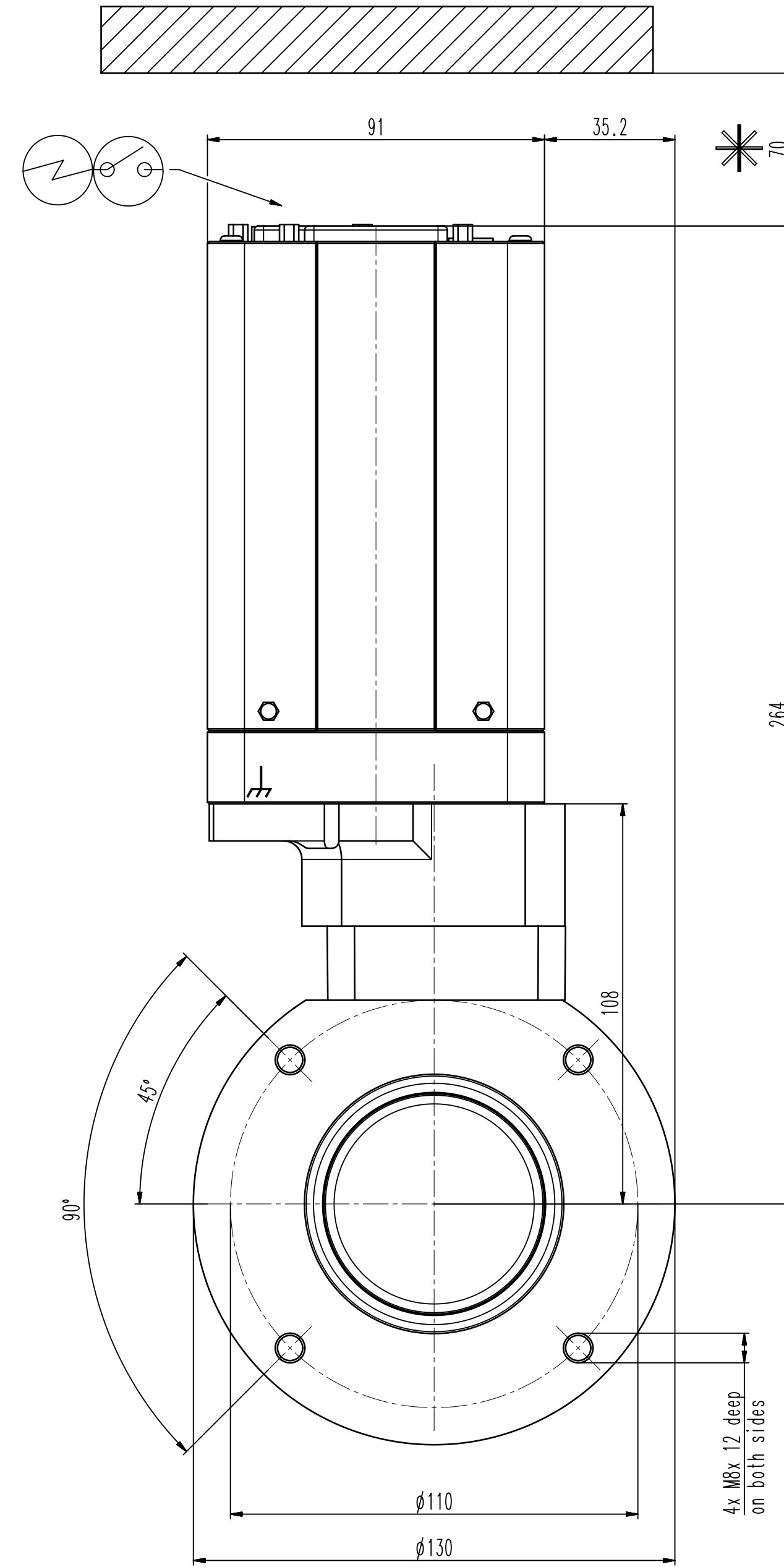
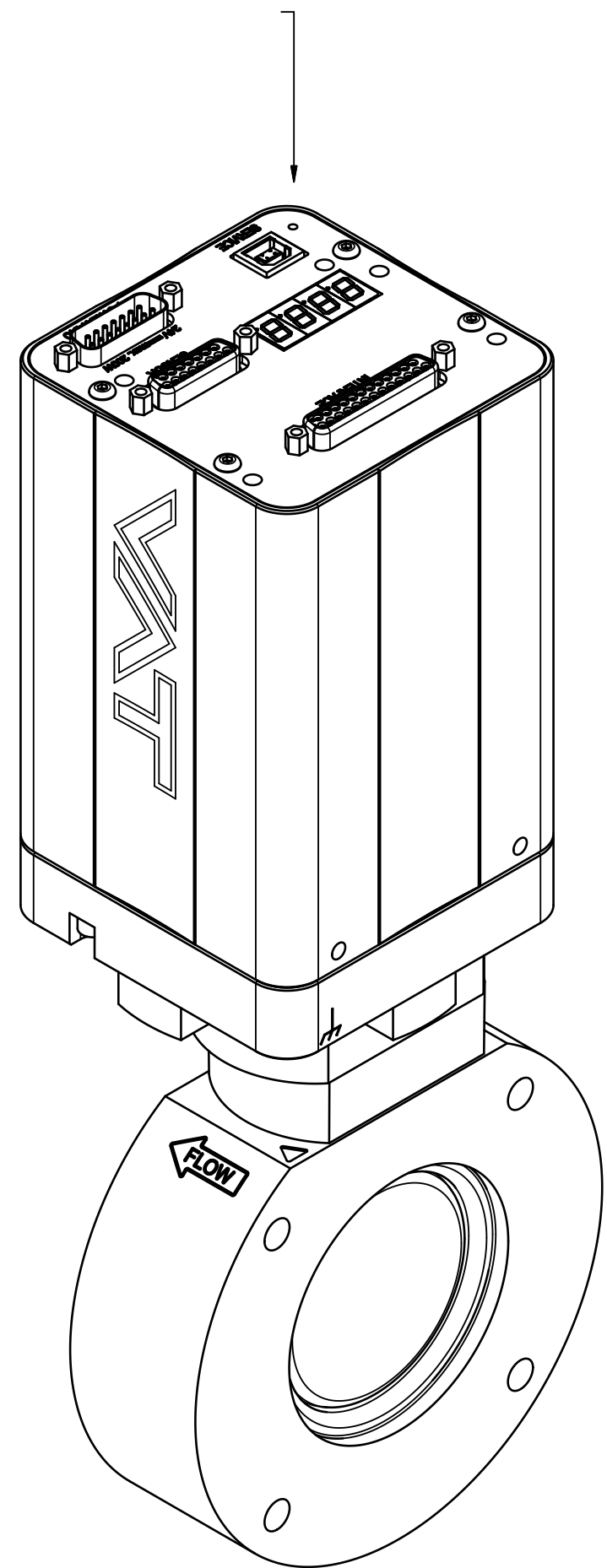
Profibus



Ether NET



Position Only



Revision

Customer number

- ▼ Seat side
- ◀ Comp. air connection
- ⊕ Electrical connection
- ⊗ Leak detection port
- ⊙ Mech. pos. indication
- ⊖ Position indicator
- ⊛ Required for dismantling
- ⊚ Emergency actuation
- ⊙ For attachment
- ⊙ Bake-out area
- ⊙ Differential pumping port

Control butterfly with isolation function
generic dimensional drawing for all 61.6 DN63 valves

VAT VAT Vakuumventile AG
CH-9469 Haag, Switzerland
Tel. ++41 81 7716161 Fax ++41 81 7714830

Rev.-Date: 10.06.22
Visa: HUS

Series	616	Ordering No.	-
Projection E	DN	Flange	
	63		
Dimensional Drawing	1166911	Rev.	A