

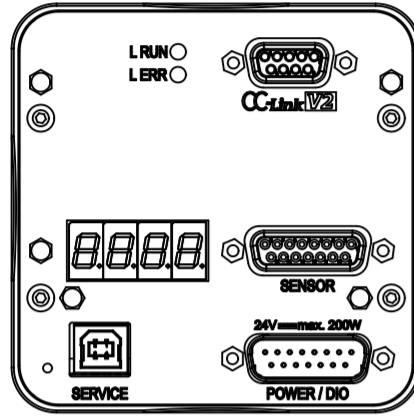
RS232 / RS485



Ether CAT



Device Net



CC-Link



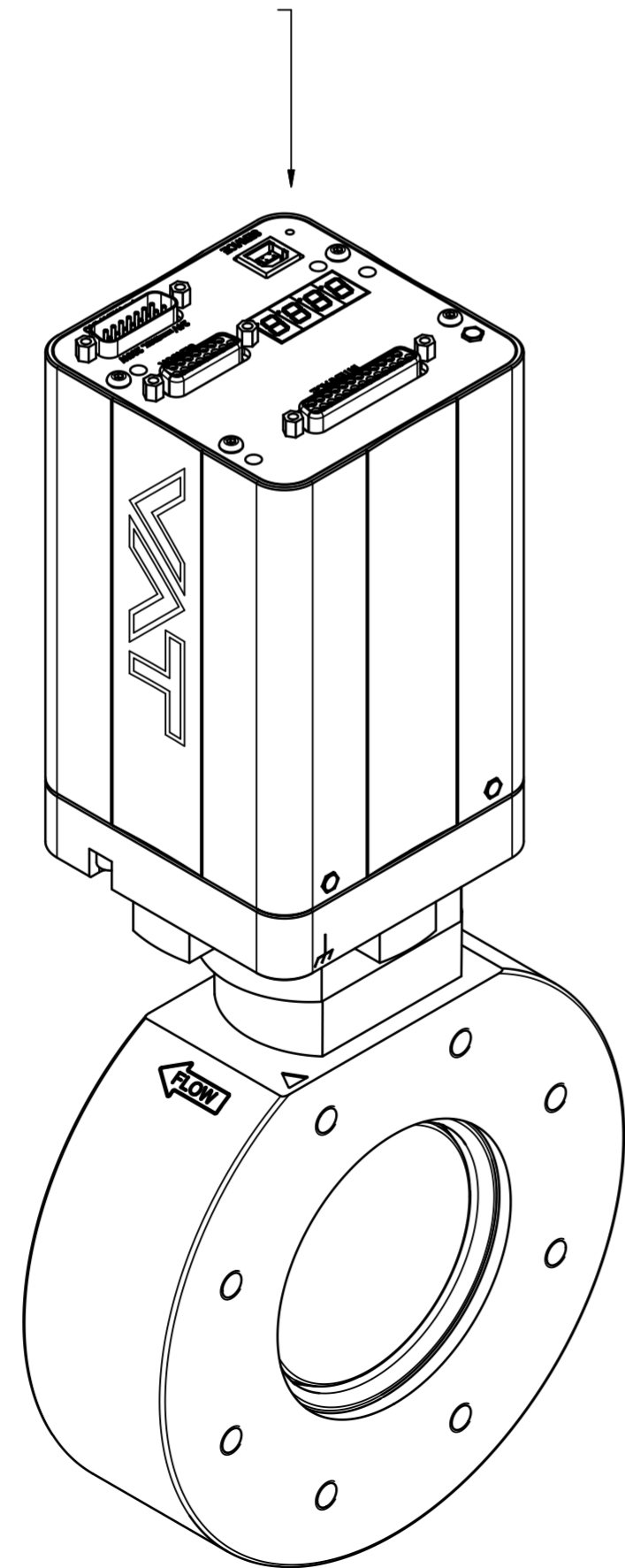
Profibus



Ether NET



Position Only



Revision

Customer number

- ▼ Seat side
- ⊙ Comp. air connection
- ⊙ Electrical connection
- ⊙ Leak detection port
- ⊙ Mech. pos. indication
- ⊙ Position indicator
- ⊙ Required for dismantling
- ⊙ Emergency actuation
- ⊙ For attachment
- ⊙ Bake-out area
- ⊙ Differential pumping port

Control butterfly with isolation function

generic dimensional drawing for all 61.6 DN80 valves

VAT VAT Vakuumventile AG
 CH-9469 Haag, Switzerland
 Tel. ++41 81 7716161 Fax ++41 81 7714830

Rev.-Date: 10.06.22
 Visa: HUS

| | | | |
|---------------------|---------|--------------|--------|
| Series | 616 | Ordering No. | - |
| Projection | E | DN | Flange |
| | 80 | | |
| Dimensional Drawing | 1166922 | Rev. | A |