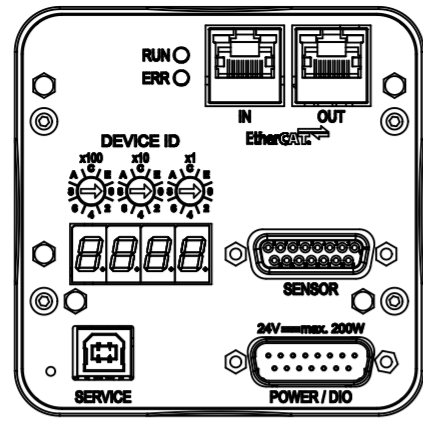
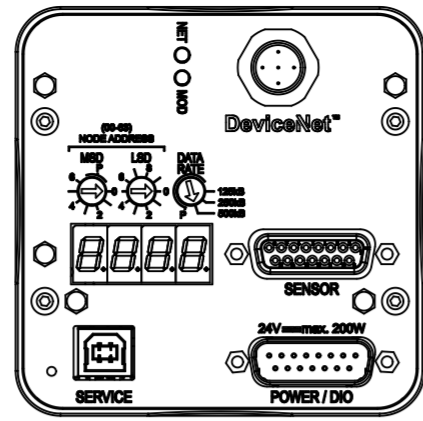


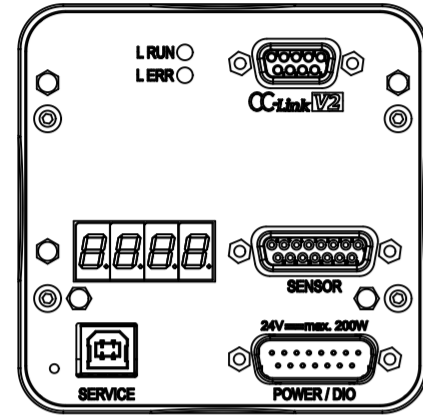
RS232 / RS485



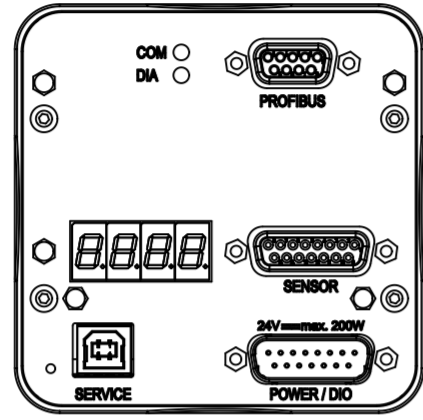
Ether CAT



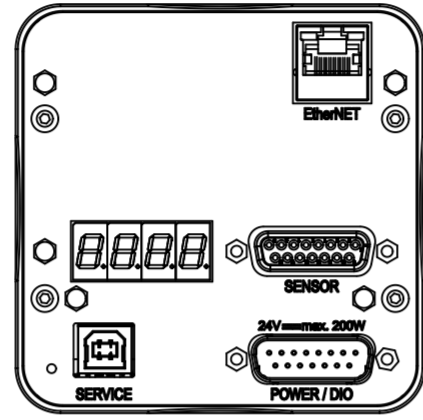
Device Net



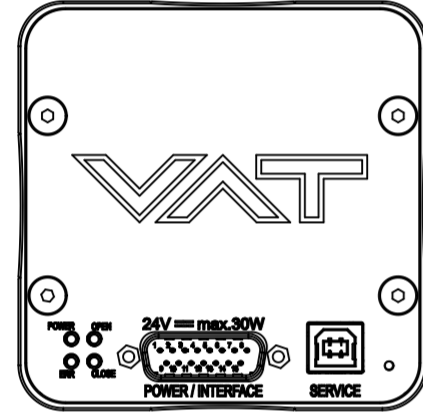
CC-Link



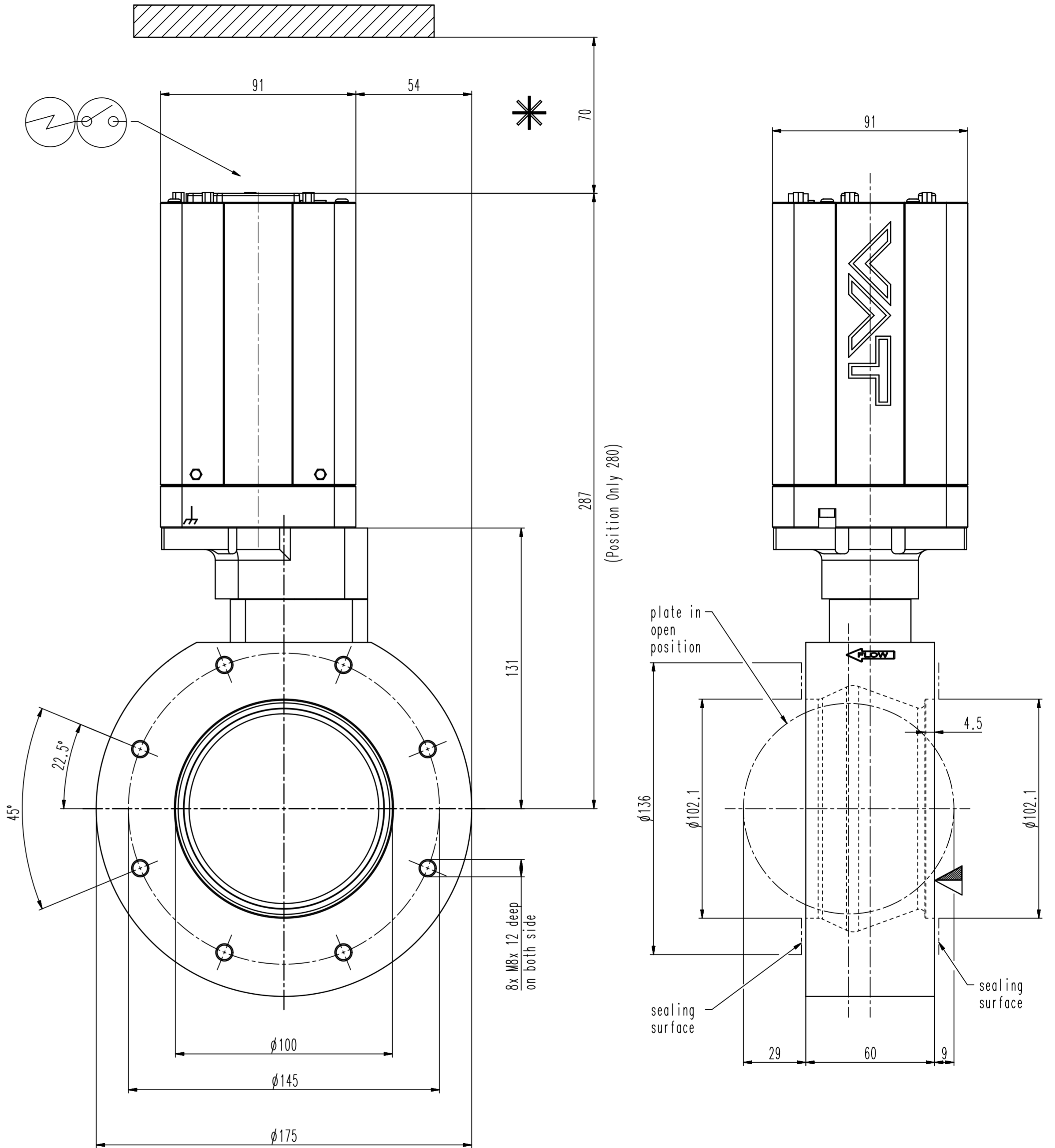
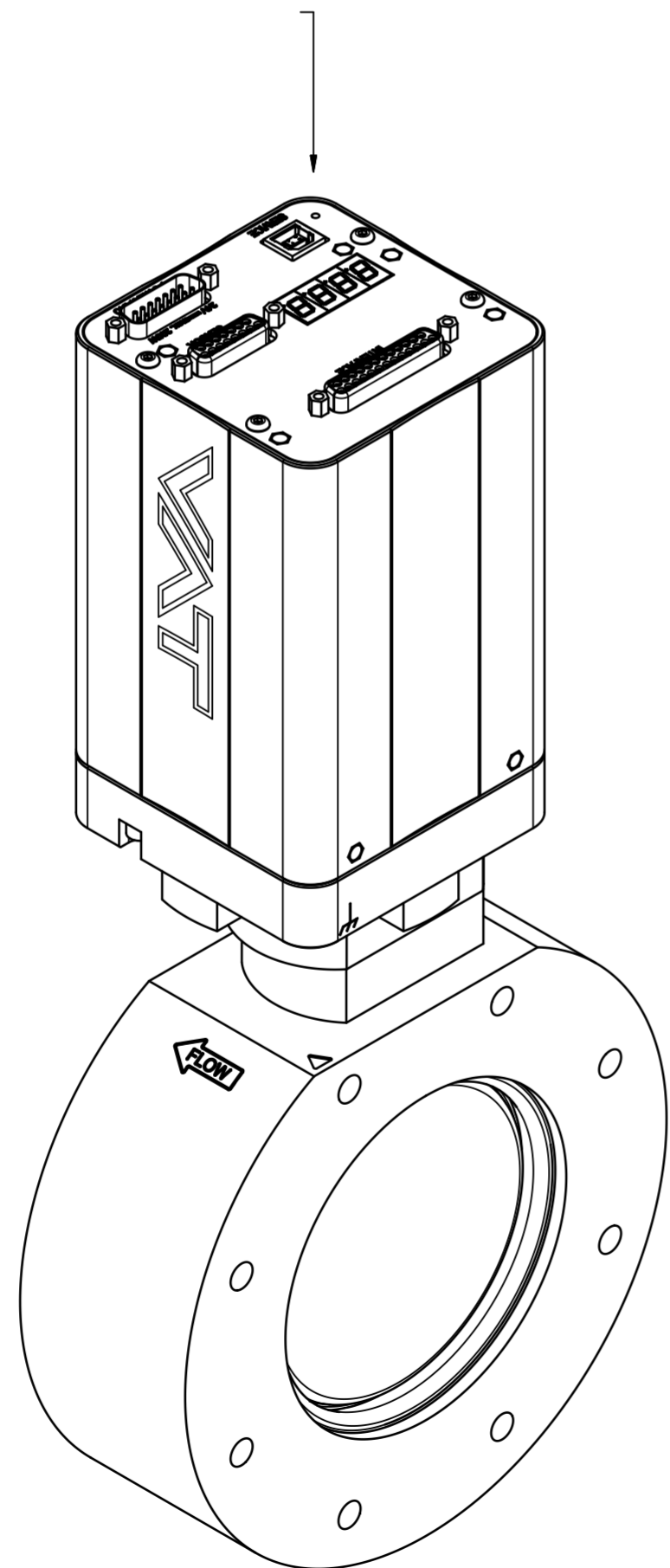
Profibus



Ether NET



Position Only



Revision

Customer number

- ▼ Seat side
- ⊕ Comp. air connection
- ⊕ Electrical connection
- ⊕ Leak detection port
- ⊕ Mech. pos. indication
- ⊕ Position indicator
- ⊕ Required for dismantling
- ⊕ Emergency actuation
- ⊕ For attachment
- ⊕ Bake-out area
- ⊕ Differential pumping port

Control butterfly with isolation function

generic dimensional drawing for all 61.6 DN100 valves

VAT VAT Vakuumventile AG
 CH-9469 Haag, Switzerland
 Tel. ++41 81 7716161 Fax ++41 81 7714830

Rev.-Date: 10.06.22
 Visa: HUS

Series	616	Ordering No.	-
Projection E	DN	Flange	
	100		
Dimensional Drawing	1166934	Rev.	A