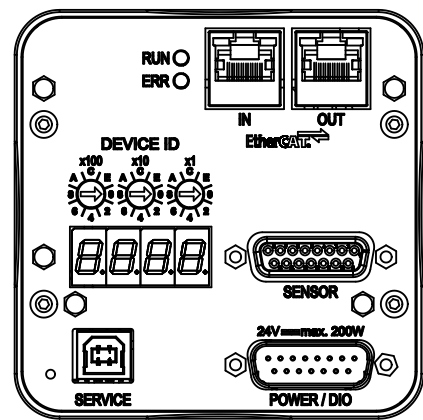
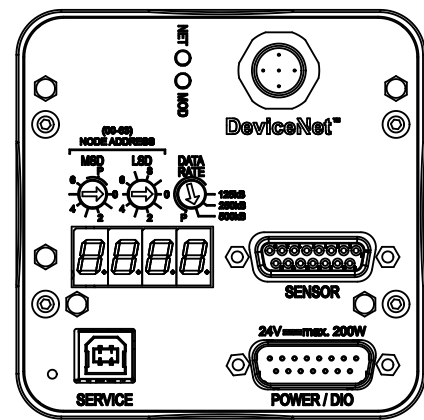


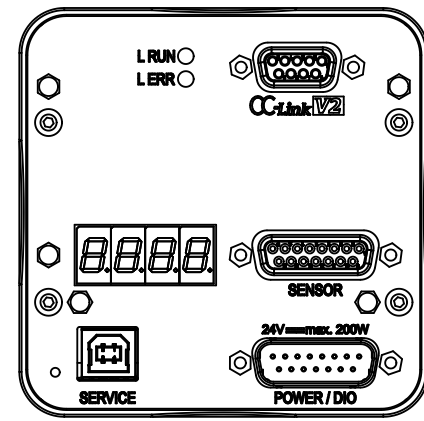
RS232 / RS485



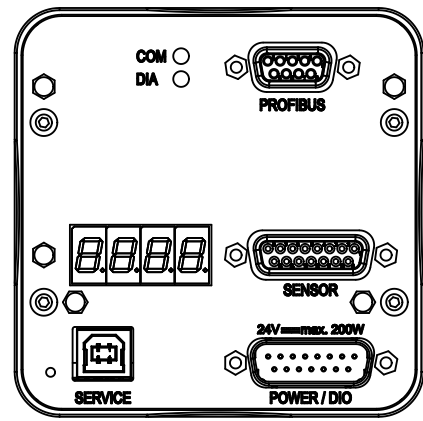
Ether CAT



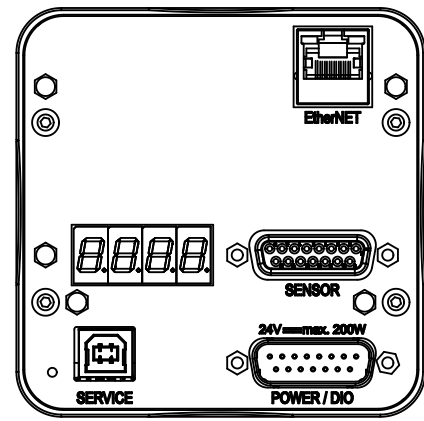
Device Net



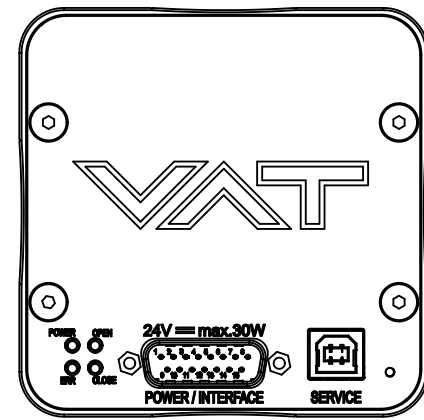
CC-Link



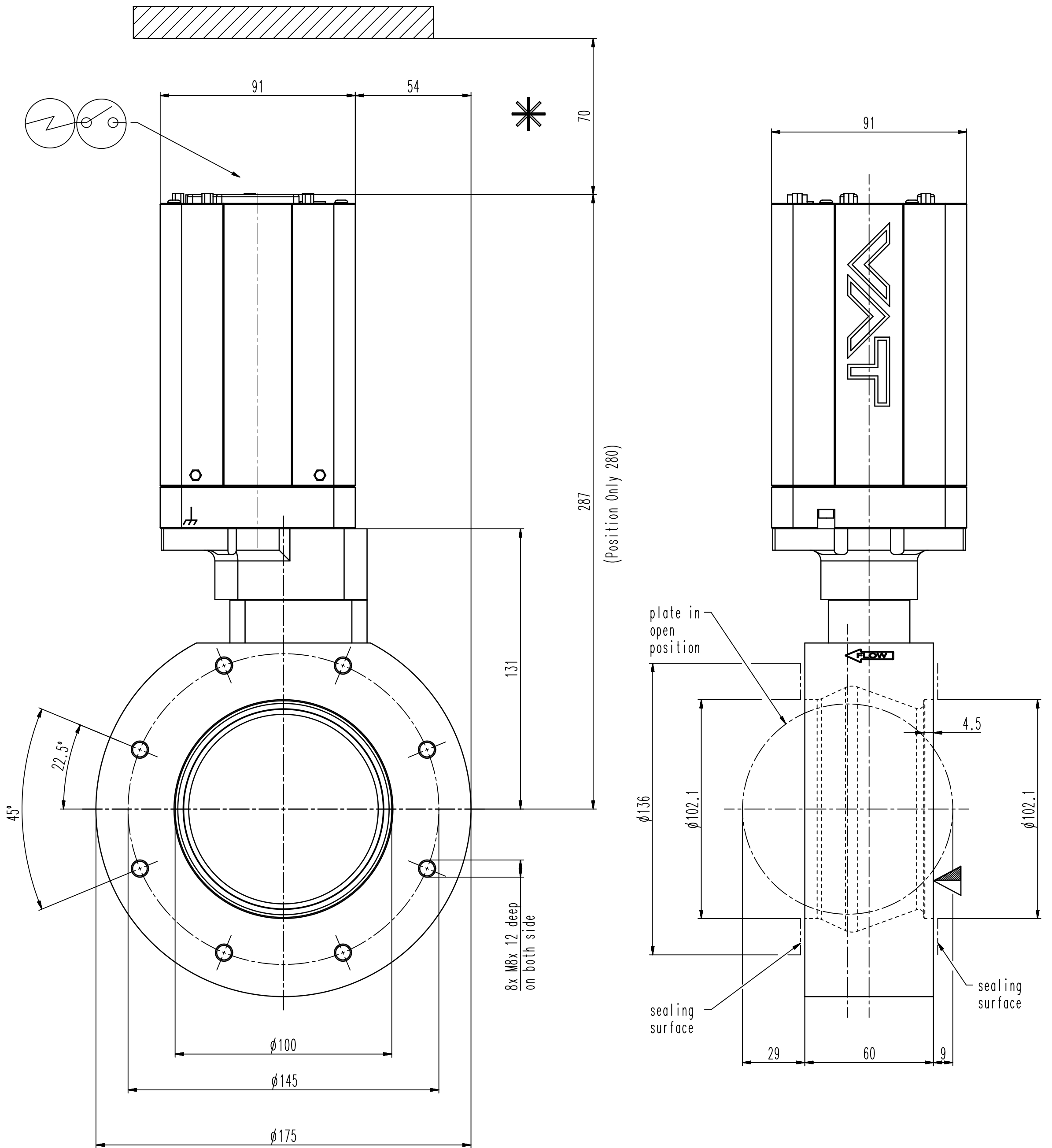
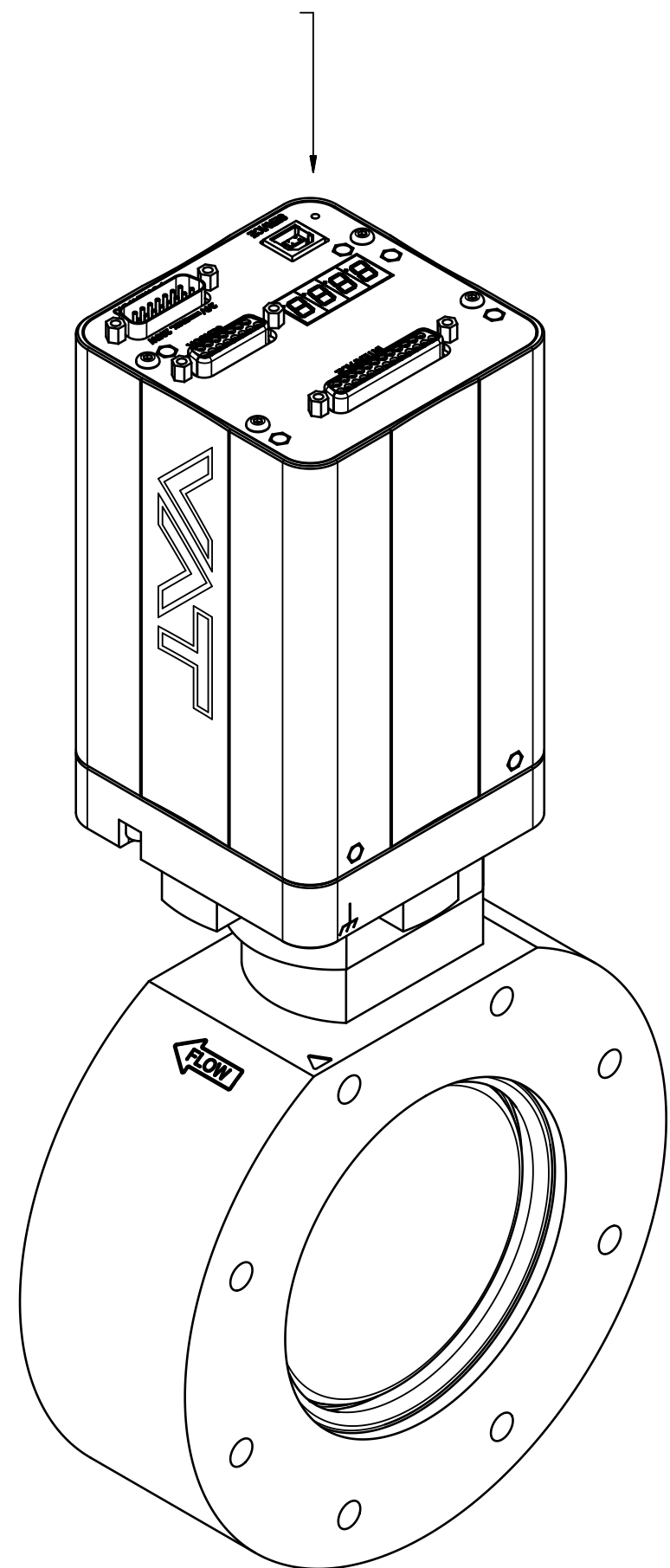
Profibus



Ether NET



Position Only



Revision

Customer number

- ▼ Seat side
- ⊙ Comp. air connection
- ⊙ Electrical connection
- ⊙ Leak detection port
- ⊙ Mech. pos. indication
- ⊙ Position indicator
- ⊙ Required for dismantling
- ⊙ Emergency actuation
- ⊙ For attachment
- ⊙ Bake-out area
- ⊙ Differential pumping port

**Control butterfly with isolation function**  
 generic dimensional drawing for all 61.6 DN100 valves

Series	616	Ordering No.	-
Projection	E	DN	Flange
	100		
Dimensional Drawing	1166934	Rev.	A

**VAT** Vakuumentile AG  
 CH-9469 Haag, Switzerland  
 Tel. ++41 81 7716161 Fax ++41 81 7714830

Rev.-Date: 10.06.22  
 Visa: HUS