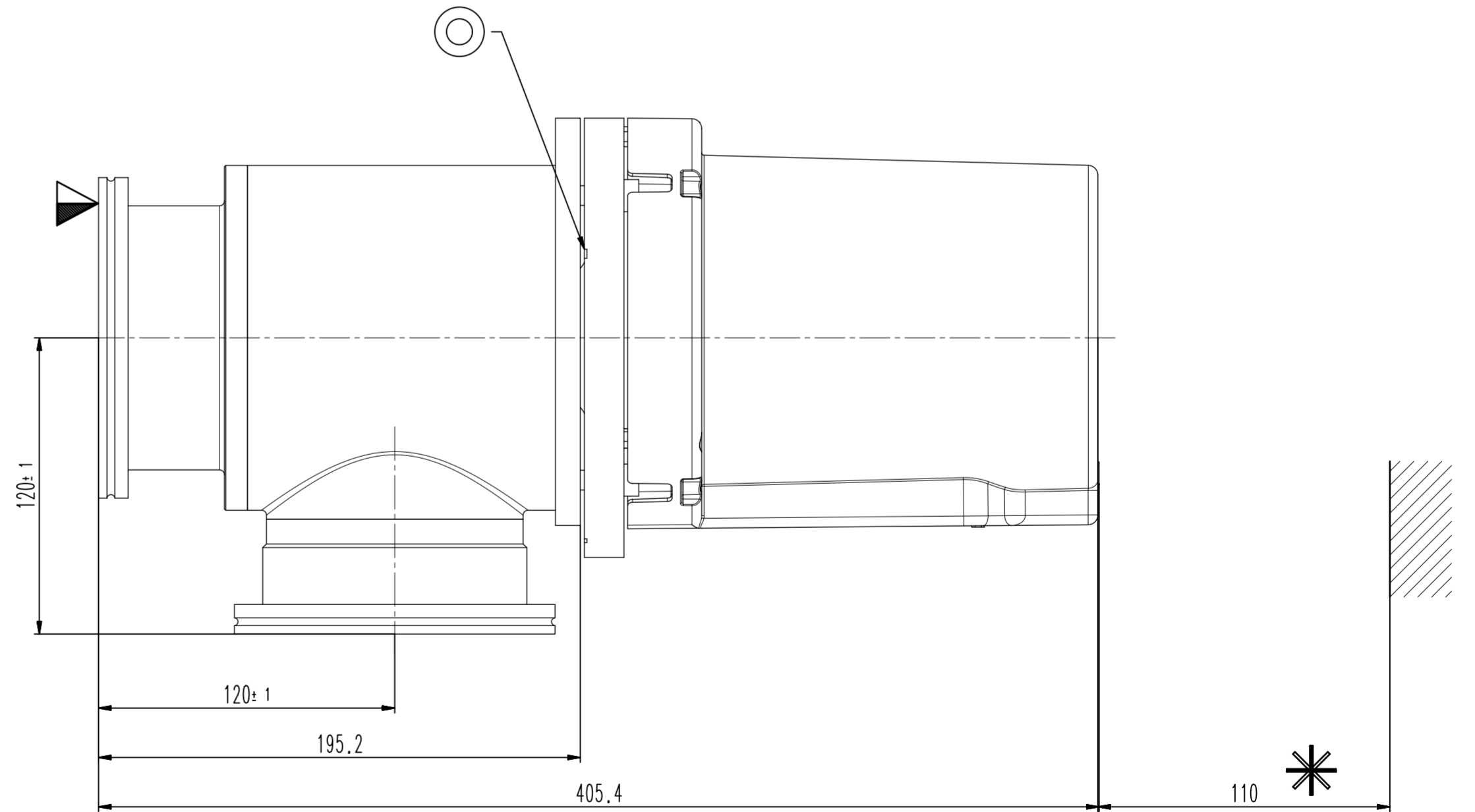
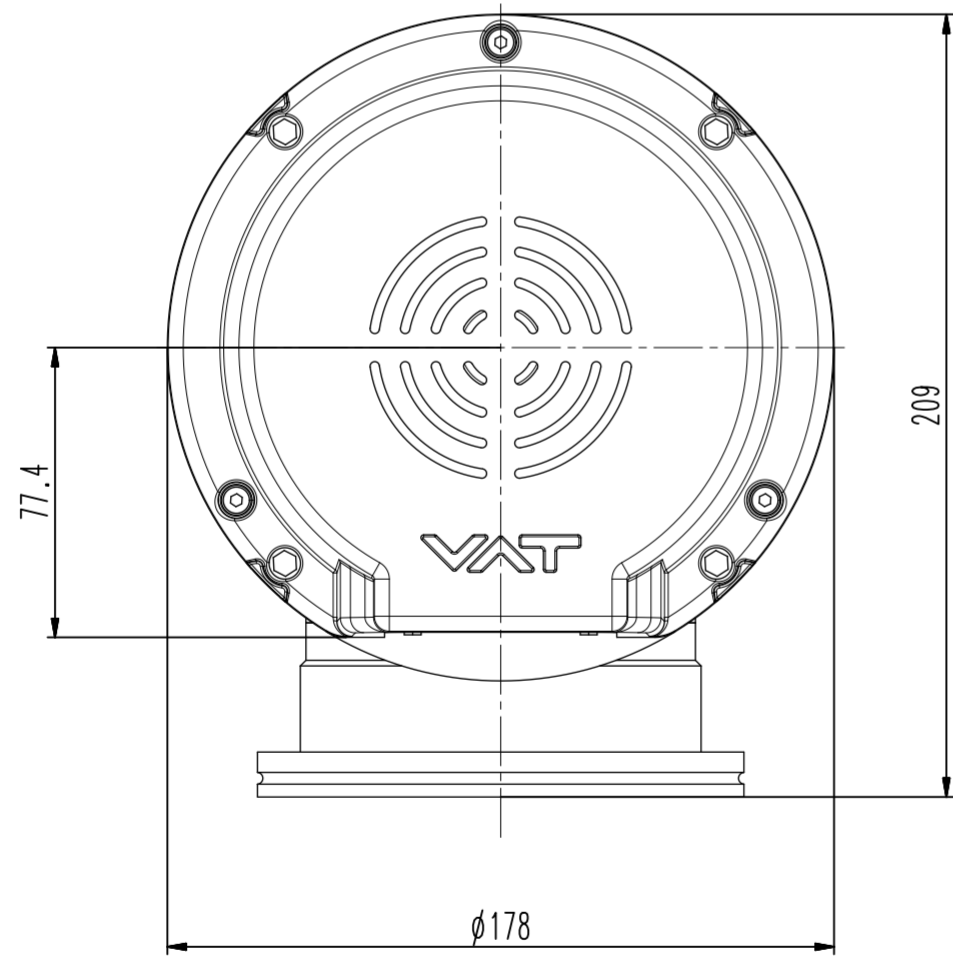
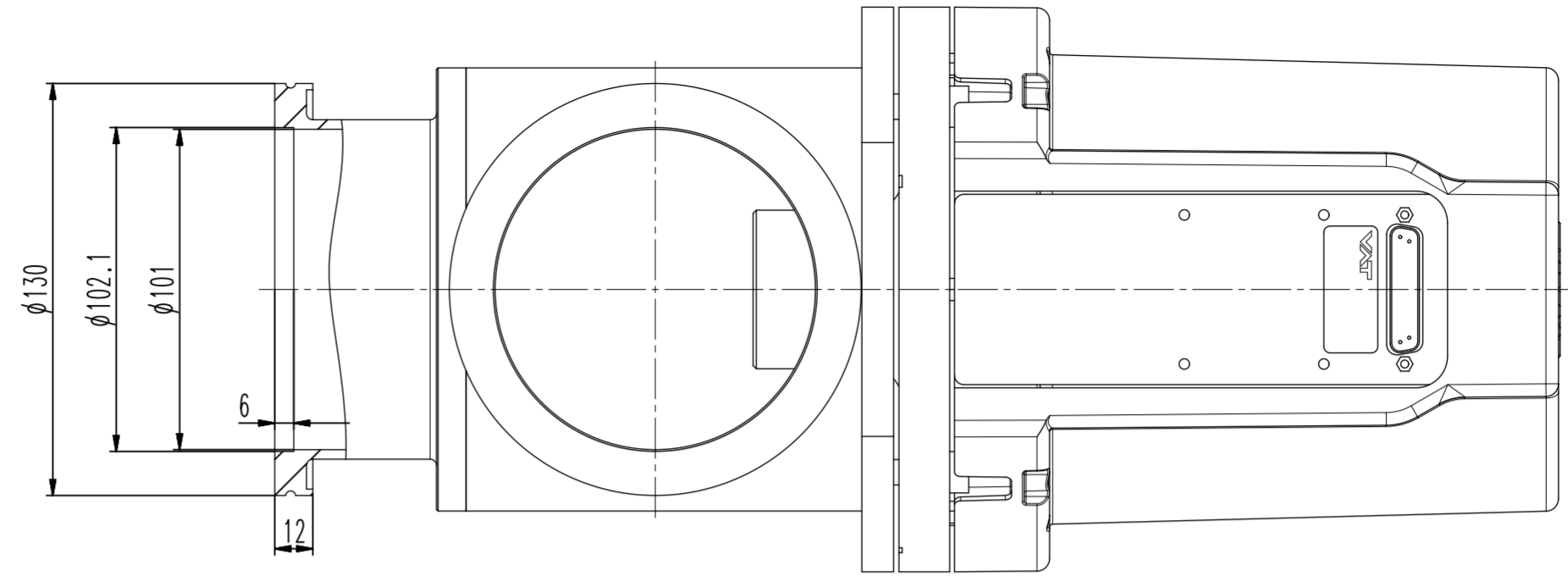
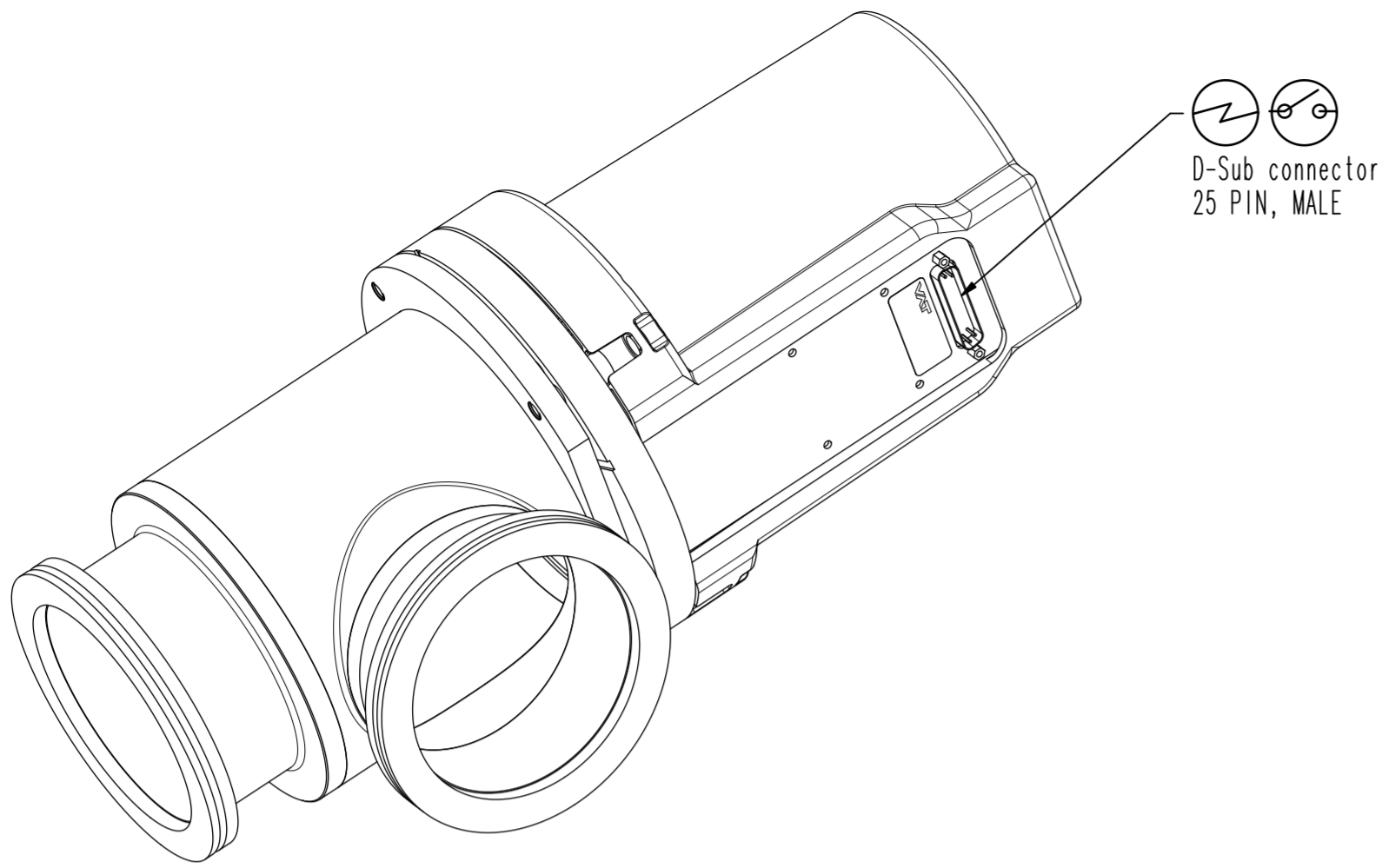


This drawing is the property of VAT.



Customer number

Revision

- ▶ Seat side
- ⊙ Comp. air connection
- ⊙ Electrical connection
- ⊙ Leak detection port
- ⊙ Mech. pos. indication
- ⊙ Position indicator
- ⊙ Required for dismantling
- ⊙ Emergency actuation
- ⊙ For attachment
- ⊙ Bake-out area
- ⊙ Differential pumping port

control angle valve

body: A dimension 120 mm;



VAT Vakuumventile AG  
CH-9469 Haag, Switzerland  
Tel ++41 81 7716161 Fax ++41 81 7714830

Rev.-Date: 22.06.21  
Visa: LIN

Series	620	Ordering No.	62040-QE52-ACS1
Projection E	DN	Flange	ISO-K
	100		
Dimensional Drawing	901799	Rev.	A