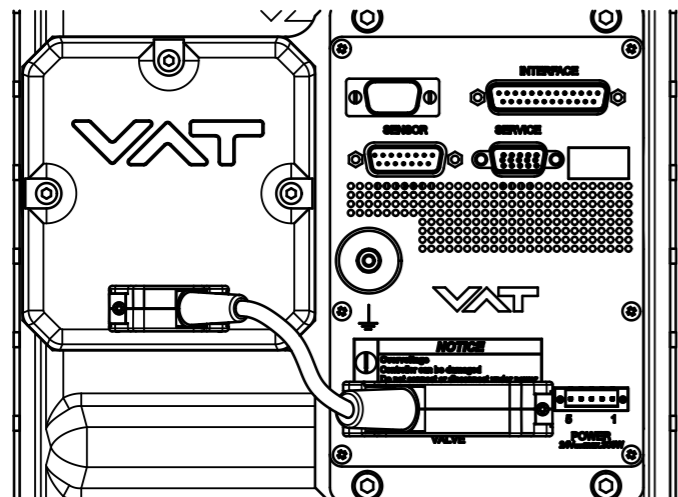


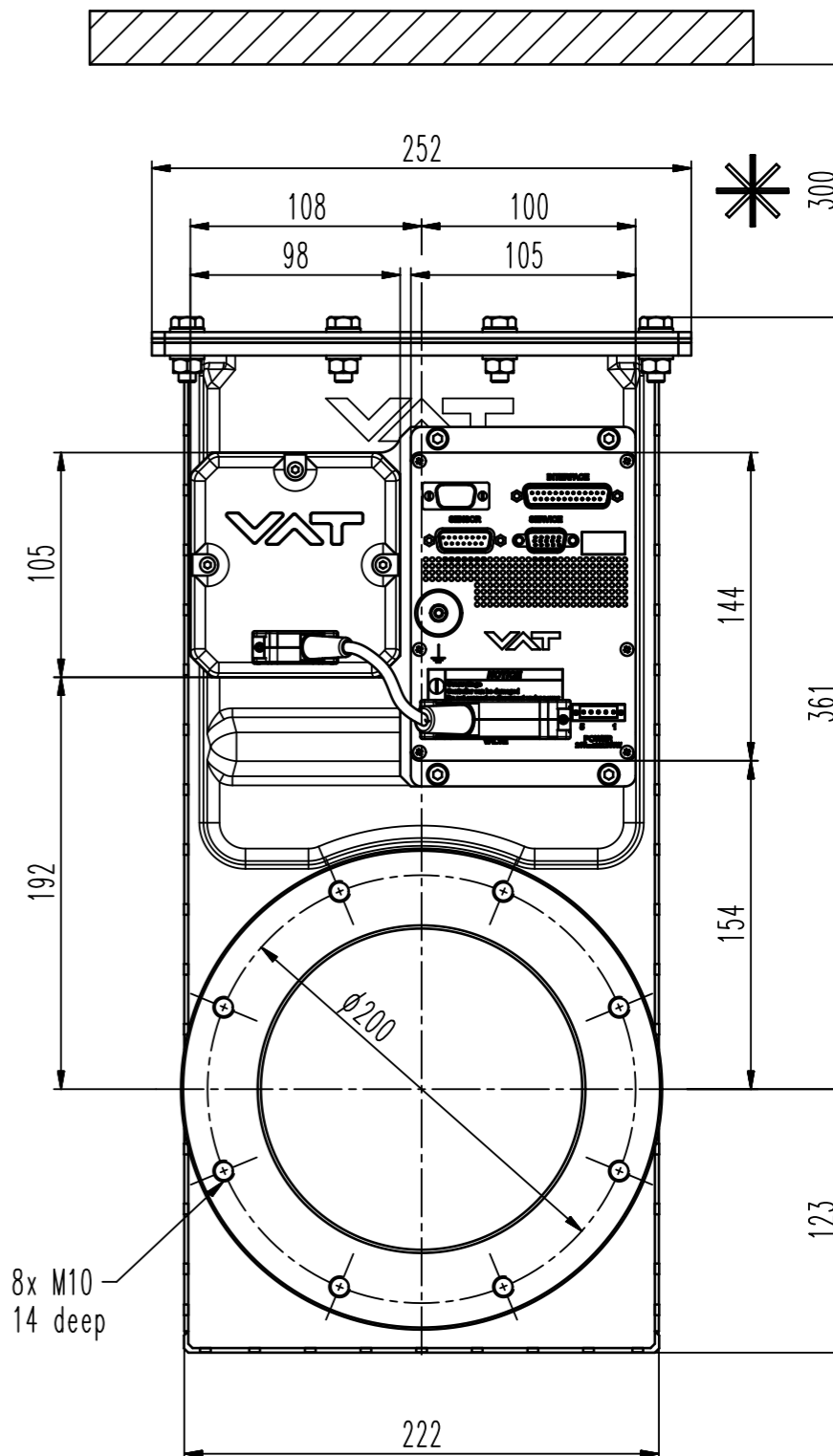
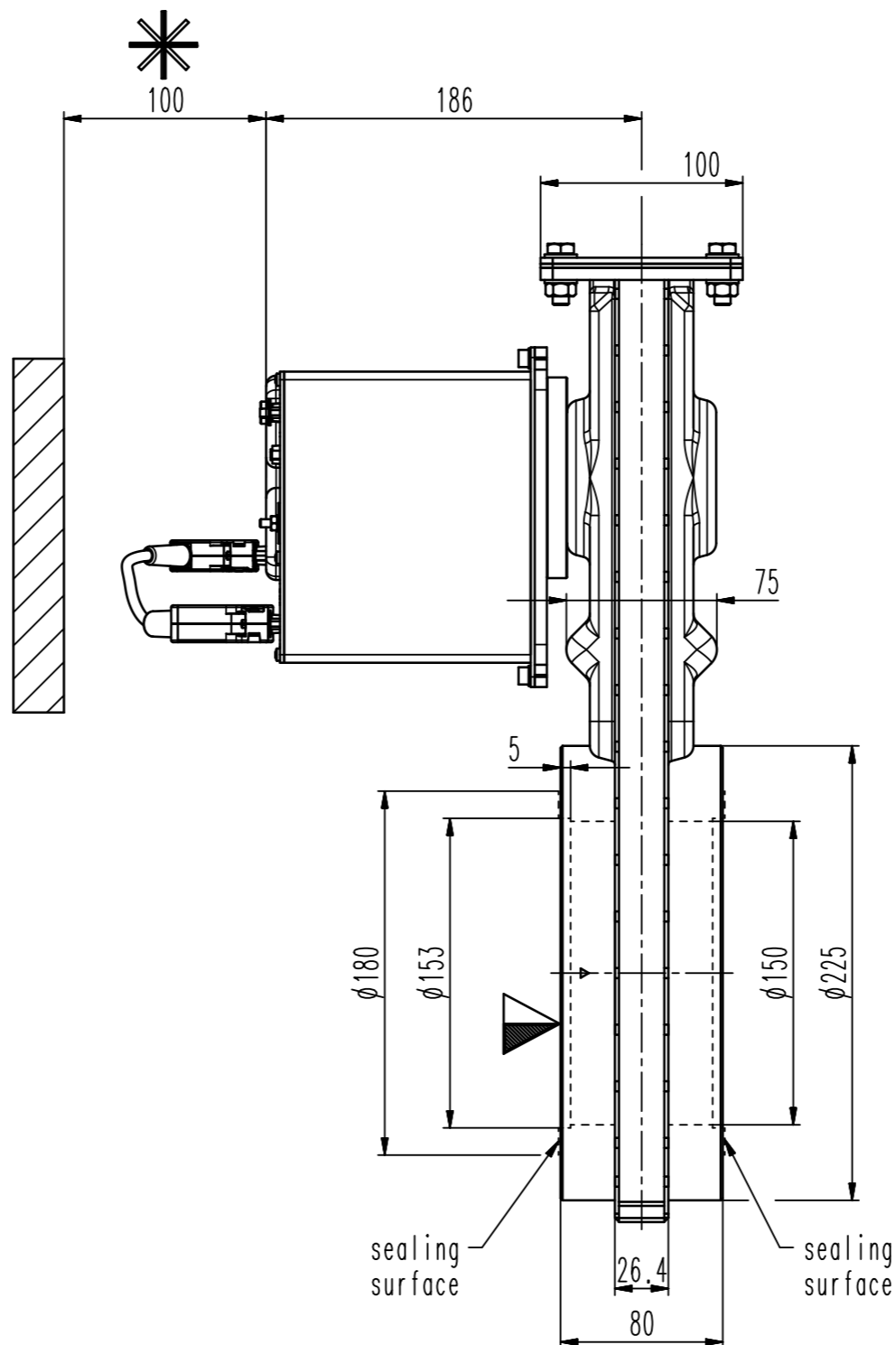
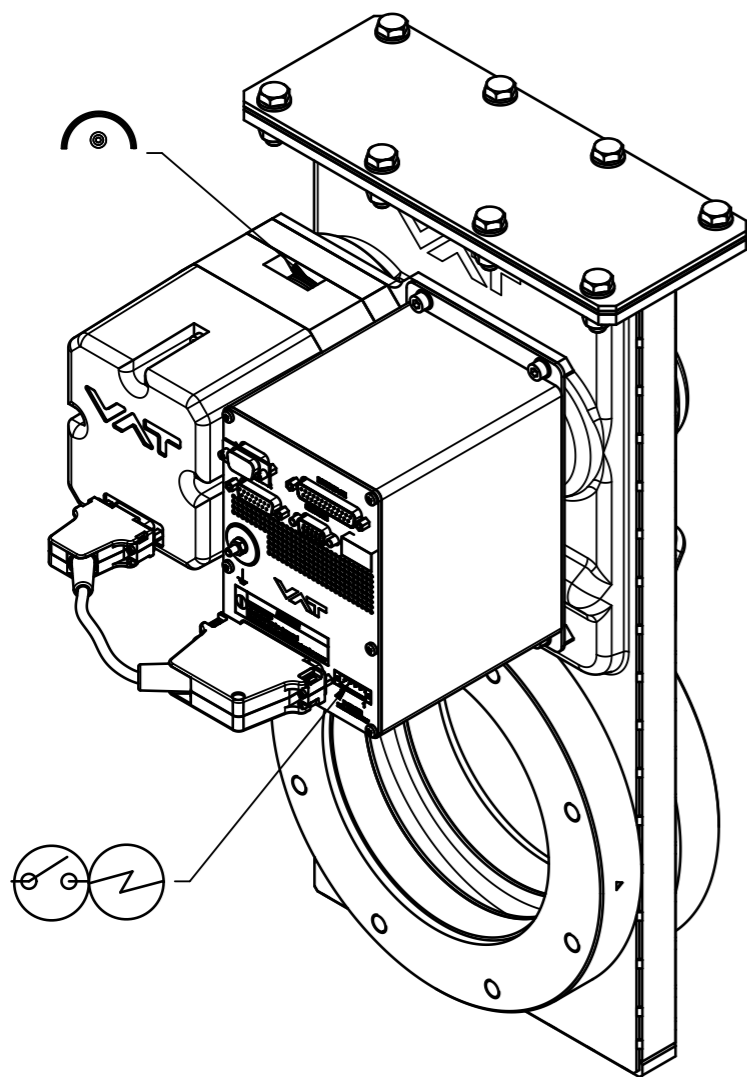
This drawing is the property of VAT.

Revision

Customer number



Connectors		
	Description	Type
POWER	Power input	Weidmüller SL3,5 male
SENSOR	Sensor input	DB-15 female
	Sensor power supply	
INTERFACE	RS 232 interface	DB-25 female



- ▼ Seat side
- ⊙ Comp. air connection
- ⊙ Electrical connection
- ⊙ Leak detection port
- ⊙ Mech. pos. indication
- ⊙ Position indicator
- ⊙ Required for dismantling
- ⊙ Emergency actuation
- ⊙ For attachment
- ⊙ Bake-out area
- ⊙ Differential pumping port

Control gate valve
UC-PFO / RS232 interface / 1 sensor



VAT Vakuumentile AG
CH-9469 Haag, Switzerland
Tel ++41 81 7716161 Fax ++41 81 7714830

Rev.-Date: 28.11.14
Visa: ARP

Series	642	Ordering No.	64244-PEHG-0001
Projection E	DN	Flange	ISO-F
160	160	778314	Rev.