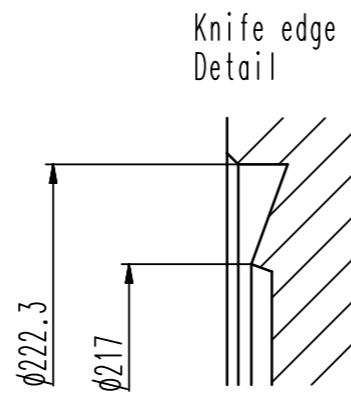
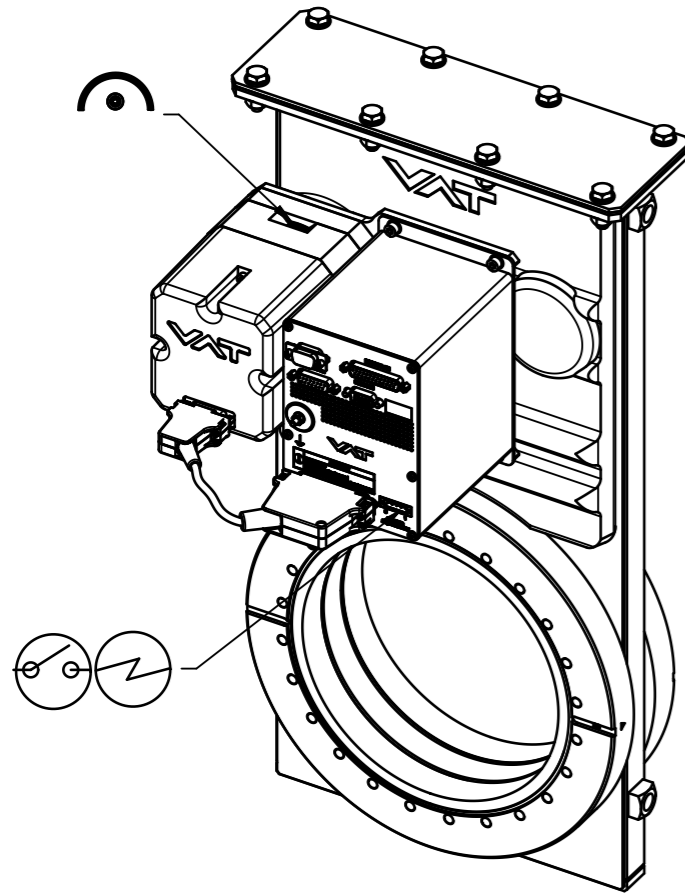


Connectors		
	Description	Type
POWER	Power input	Weidmüller SL3,5 male
SENSOR	Sensor input Sensor power supply	DB-15 female
INTERFACE	RS 232 interface	DB-25 female



- ▼ Seat side
- ⊙ Comp. air connection
- ⊙ Electrical connection
- ⊙ Leak detection port
- ⊙ Mech. pos. indication
- ⊙ Position indicator
- ⊙ Required for dismantling
- ⊙ Emergency actuation
- ⊙ For attachment
- ⊙ Bake-out area
- ⊙ Differential pumping port

Control gate valve
UC-PFO / SPS / RS232 interface / 1 sensor

VAT Vakuumentile AG
CH-9469 Haag, Switzerland
Tel ++41 81 7716161 Fax ++41 81 7714830

Rev.-Date: 09.11.17
Visa: FKE

Series	642	Ordering No.	64246-CECG-0001
Projection E	DN	Flange	CF-F m
	200		
Dimensional Drawing	720507	Rev.	A