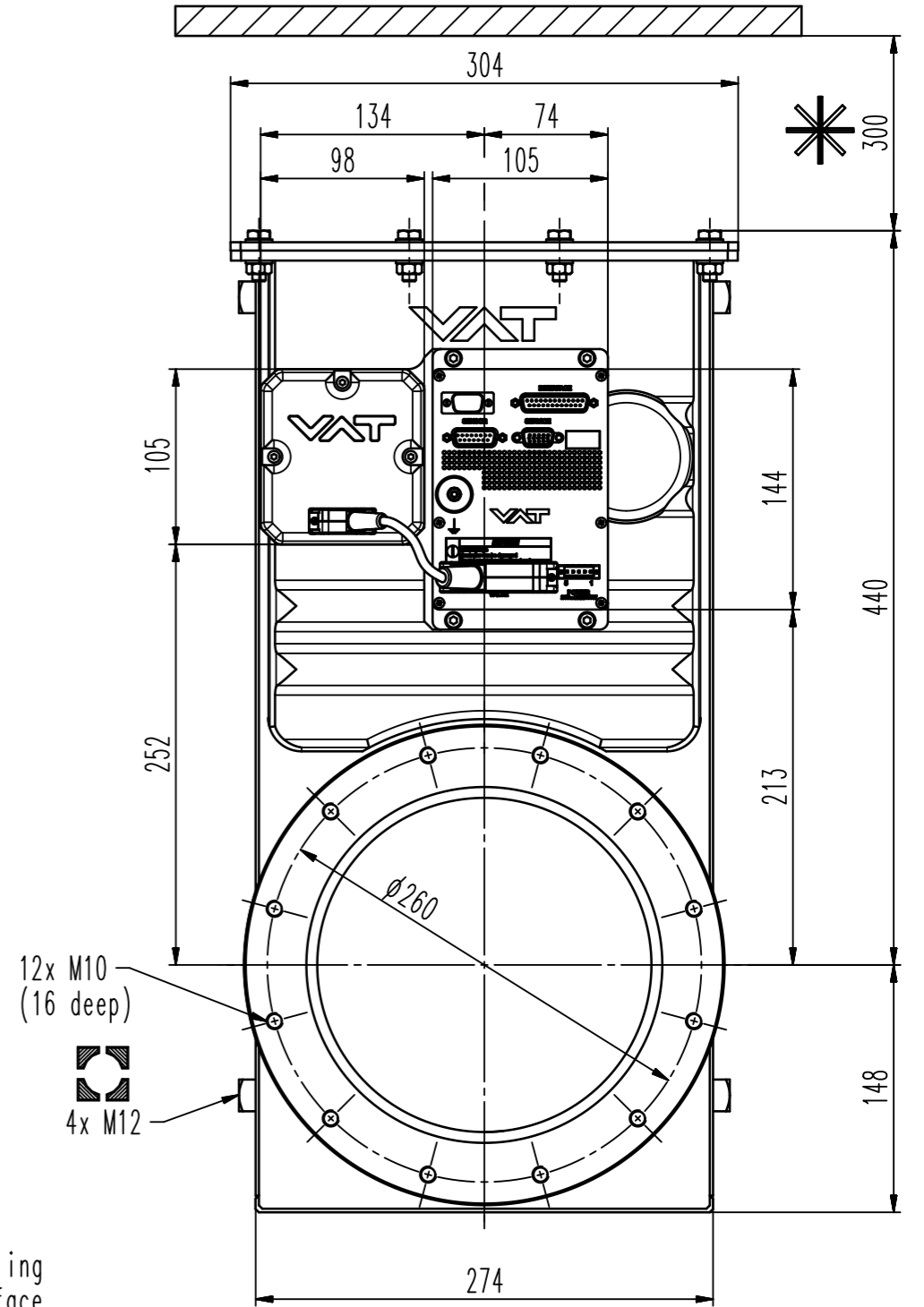
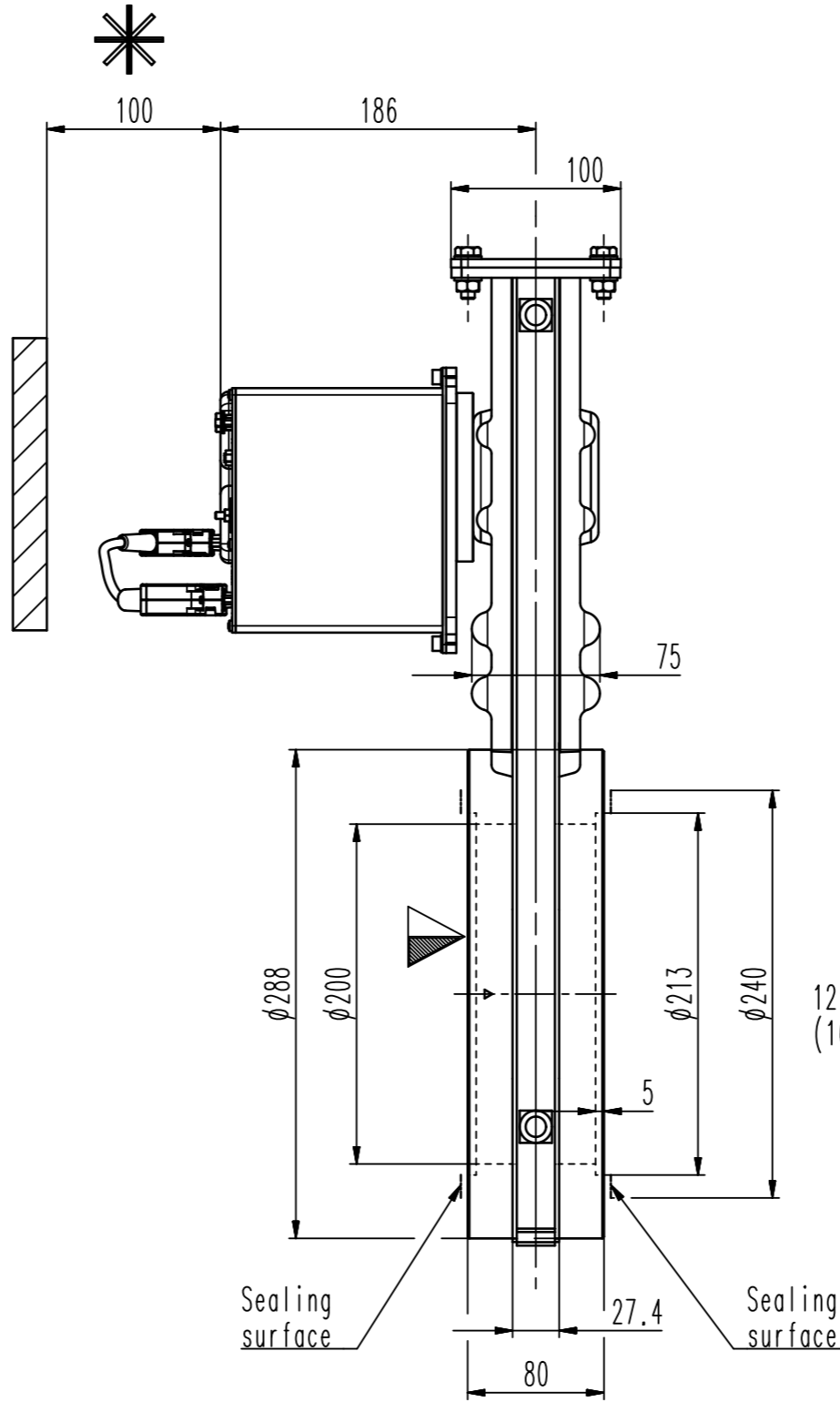
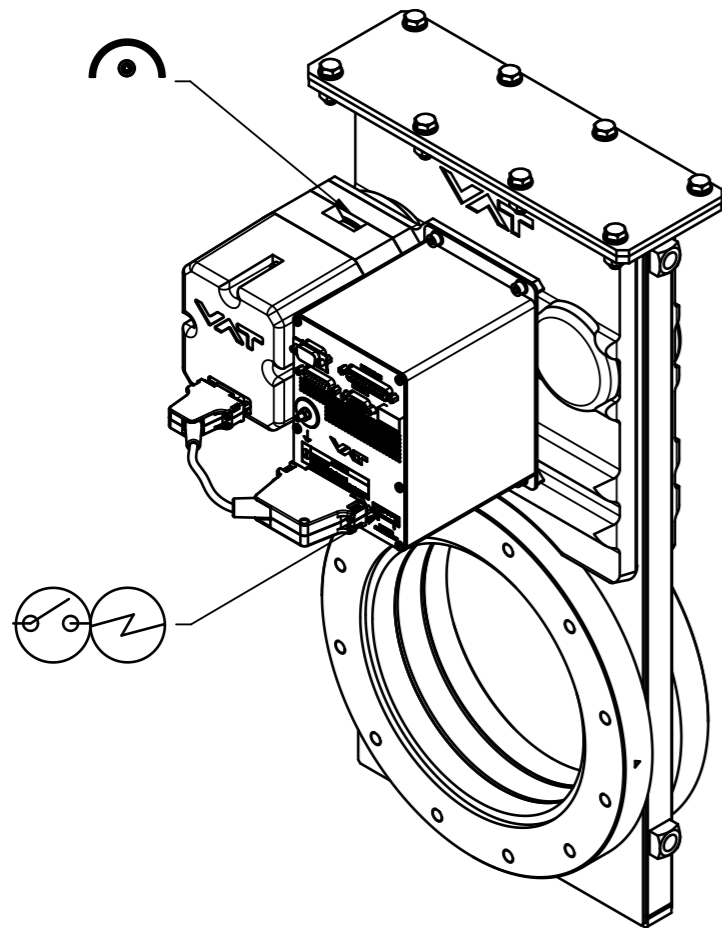


Connectors		
	Description	Type
POWER	Power input	Weidmueller SL3.5 male
SENSOR	Sensor input Sensor power supply	DB-15 female
INTERFACE	RS 485 interface	DB-25 female



- ▼ Seat side
- ⊙ Comp. air connection
- ⊙ Electrical connection
- ⊙ Leak detection port
- ⊙ Mech. pos. indication
- ⊙ Position indicator
- ⊙ Required for dismantling
- ⊙ Emergency actuation
- ⊙ For attachment
- ⊙ Bake-out area
- ⊙ Differential pumping port

**Control gate valve**  
RS485 interface / 1 sensor



VAT Vakuumventile AG

CH-9469 Haag, Switzerland  
Tel ++41 81 7716161 Fax ++41 81 7714830

Rev.-Date: 09.11.17

Visa: FKE

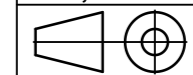
Series

642

Ordering No.

64246-PEGJ-0001

Projection E



DN

200

Flange

ISO-F

Dimensional Drawing

754999

Rev.

A