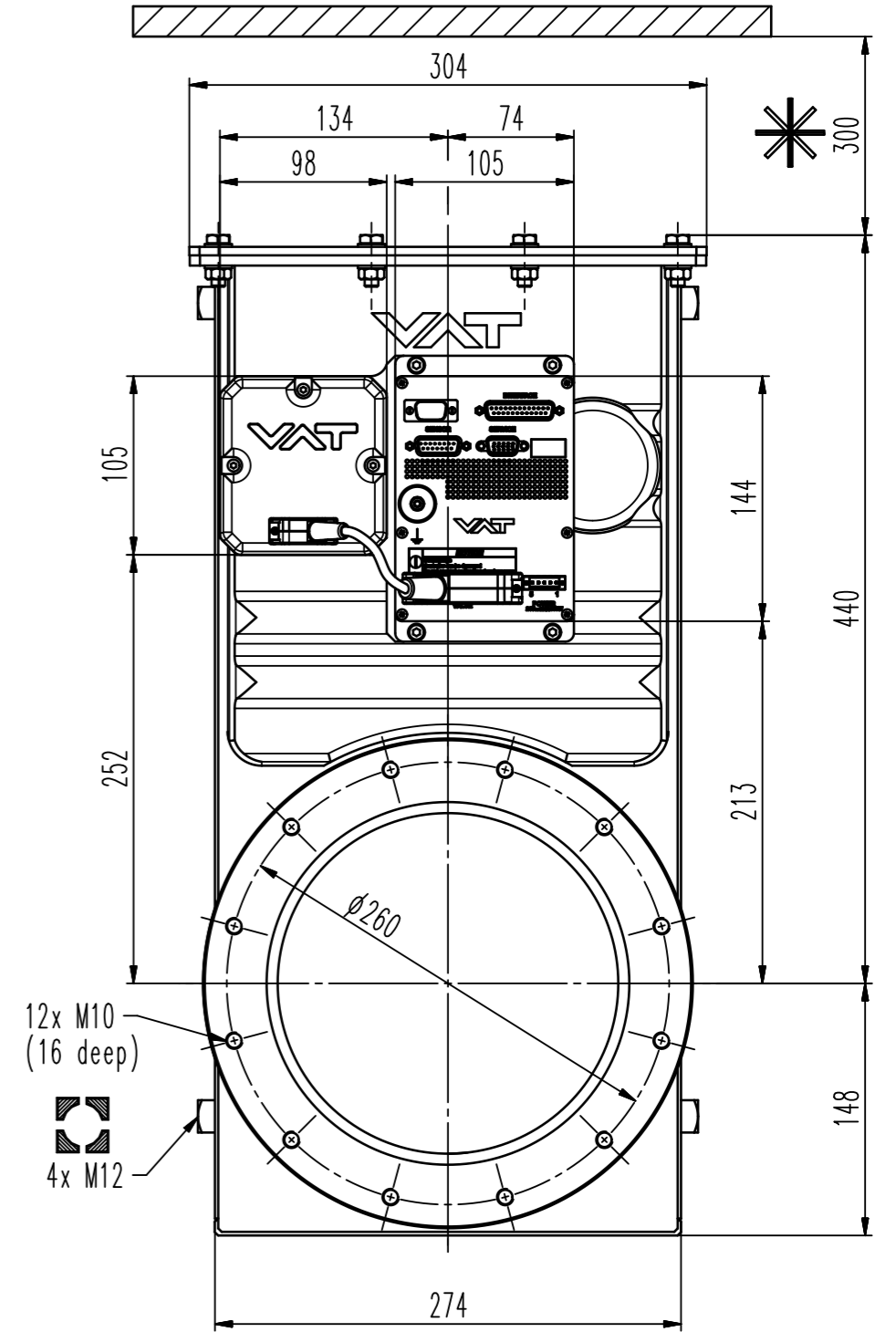
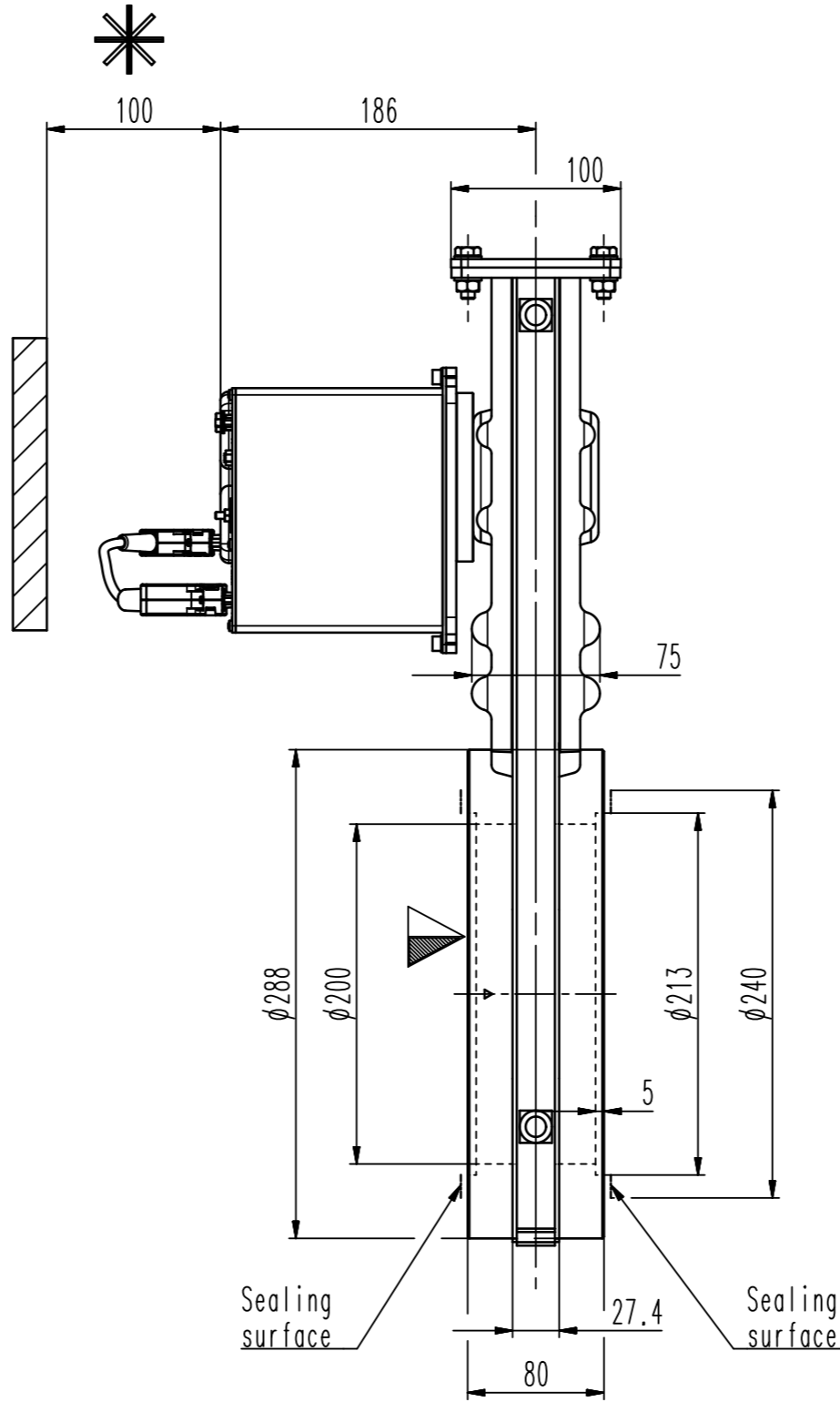
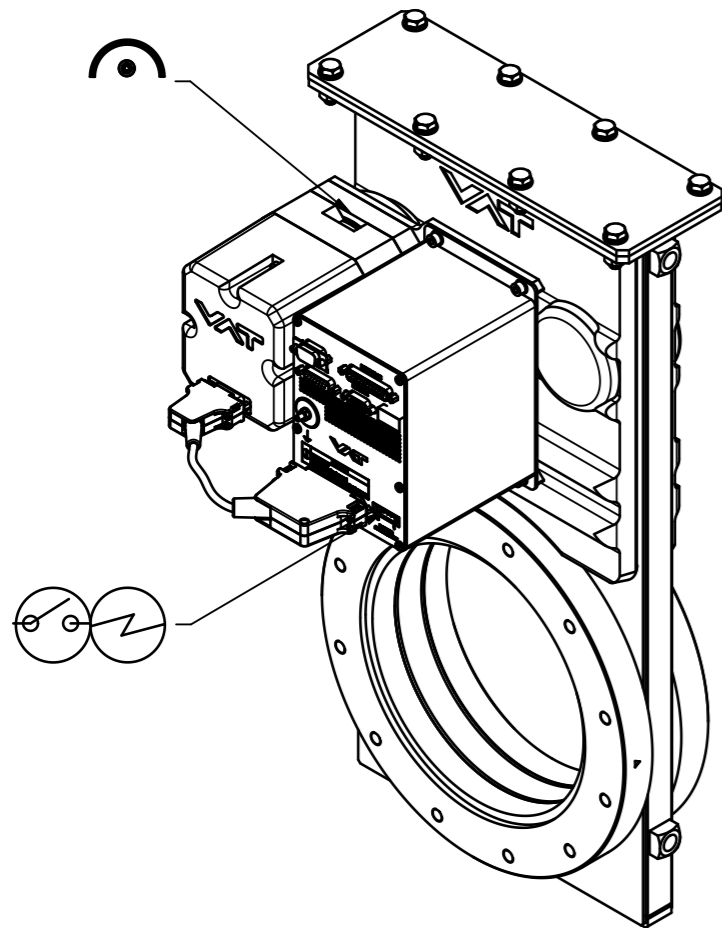


| Connectors | | |
|------------|---------------------|-----------------------|
| | Description | Type |
| POWER | Power input | Weidmüller SL3,5 male |
| SENSOR | Sensor input | DB-15 female |
| | Sensor power supply | |
| INTERFACE | RS 232 interface | DB-25 female |



- ▼ Seat side
- ⊙ Comp. air connection
- ⊙ Electrical connection
- ⊙ Leak detection port
- ⊙ Mech. pos. indication
- ⊙ Position indicator
- ⊙ Required for dismantling
- ⊙ Emergency actuation
- ⊙ For attachment
- ⊙ Bake-out area
- ⊙ Differential pumping port

Control gate valve
UC-PFO / RS232 interface / 2 sensors



VAT Vakuumventile AG

CH-9469 Haag, Switzerland
Tel ++41 81 7716161 Fax ++41 81 7714830

Rev.-Date: 09.11.17

Visa: FKE

| | | | |
|---------------------|--------|--------------|-----------------|
| Series | 642 | Ordering No. | 64246-PEHH-0001 |
| Projection E | DN | Flange | ISO-F |
| | 200 | | |
| Dimensional Drawing | 799783 | Rev. | A |