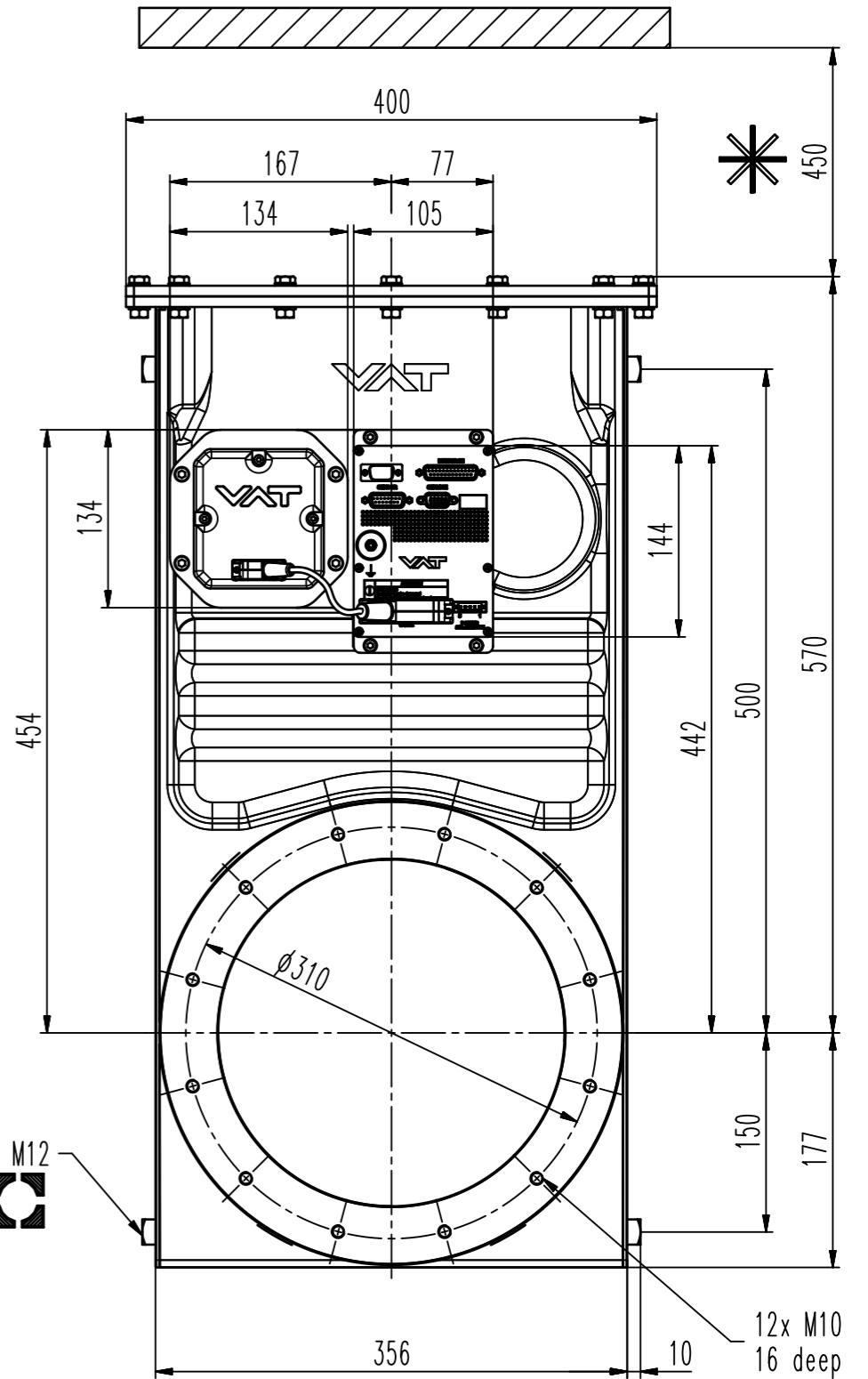
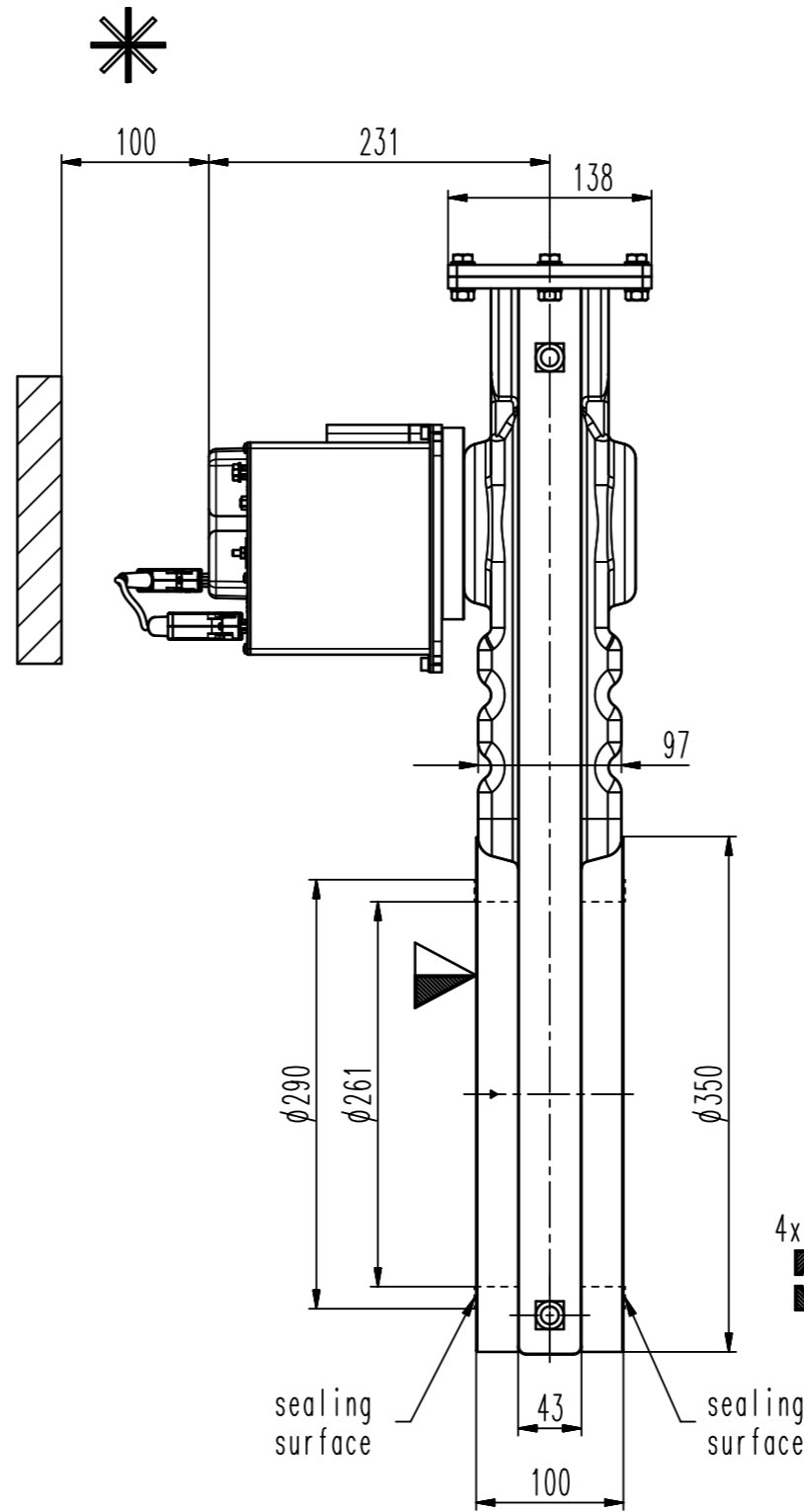
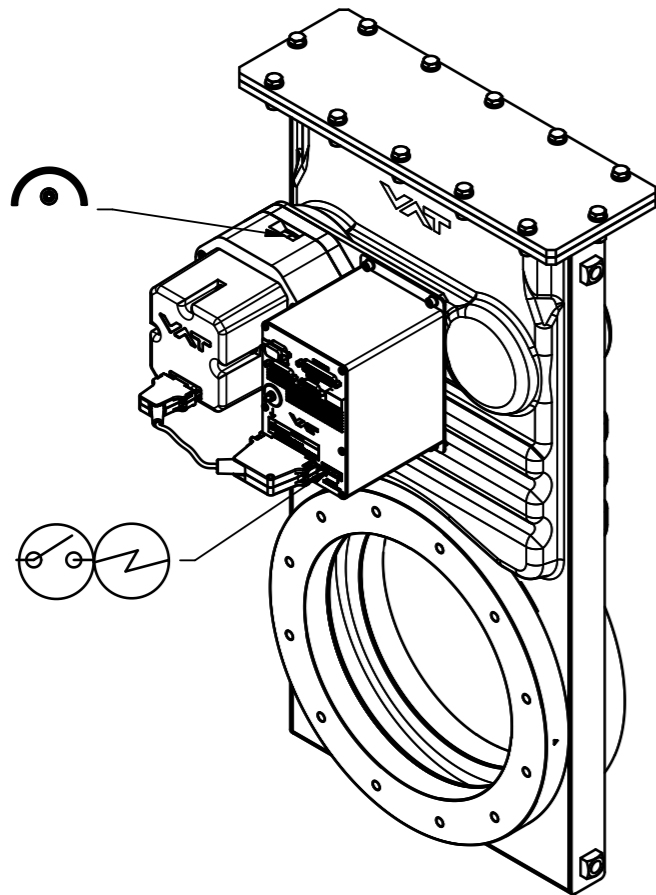


Connectors		
	Description	Type
POWER	Power input	Weidmuller SL3.5 male
SENSOR	Sensor input Sensor power supply	DB-15 female
INTERFACE	Logic interface	DB-25 female



- ▼ Seat side
- ⊙ Comp. air connection
- ⊙ Electrical connection
- ⊙ Leak detection port
- ⊙ Mech. pos. indication
- ⊙ Position indicator
- ⊙ Required for dismantling
- ⊙ Emergency actuation
- ⊙ For attachment
- ⊙ Bake-out area
- ⊙ Differential pumping port

Control gate valve  
Logic interface / 1 sensor



VAT Vakuumventile AG

CH-9469 Haag, Switzerland  
Tel ++41 81 7716161 Fax ++41 81 7714830

Rev.-Date: 13.05.13

Visa: BFR

Series	642	Ordering No.	64248-PEGC-0001
Projection E	DN	Flange	ISO-F
250	593725	Rev.	