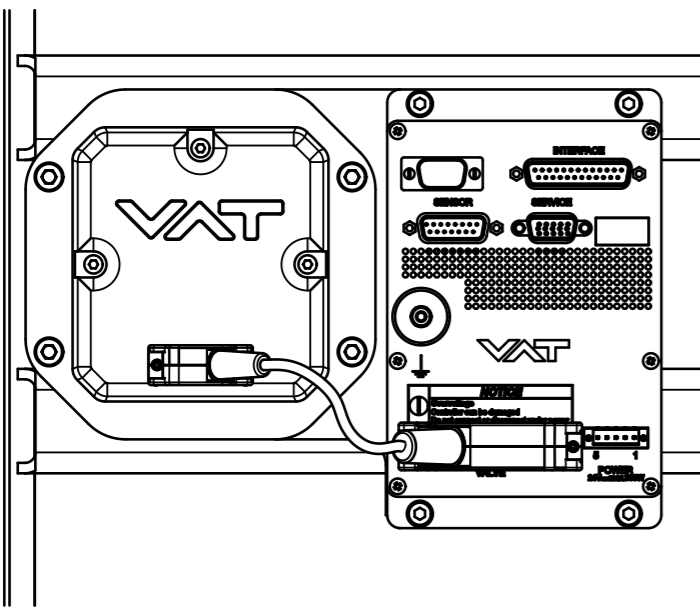


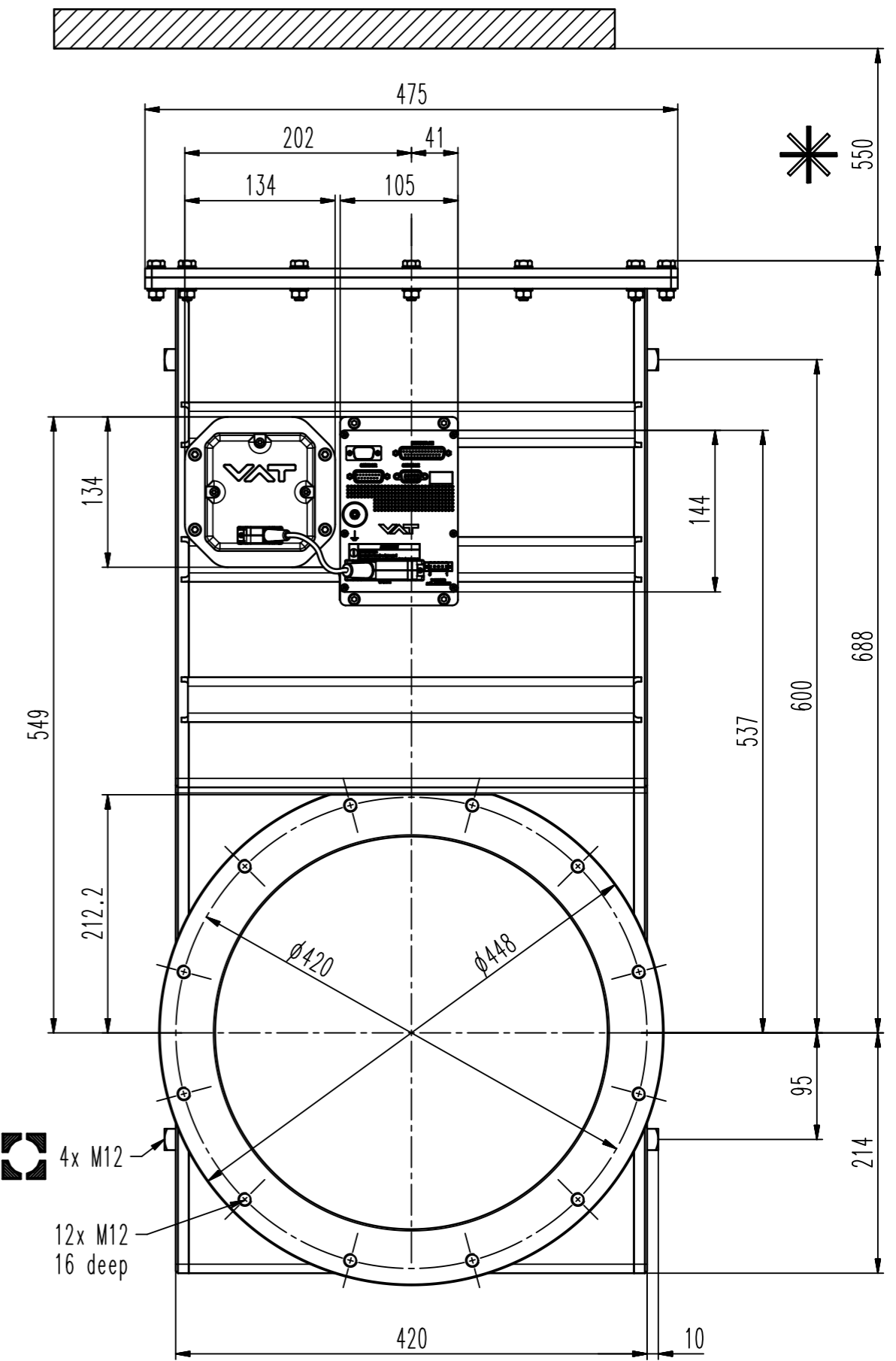
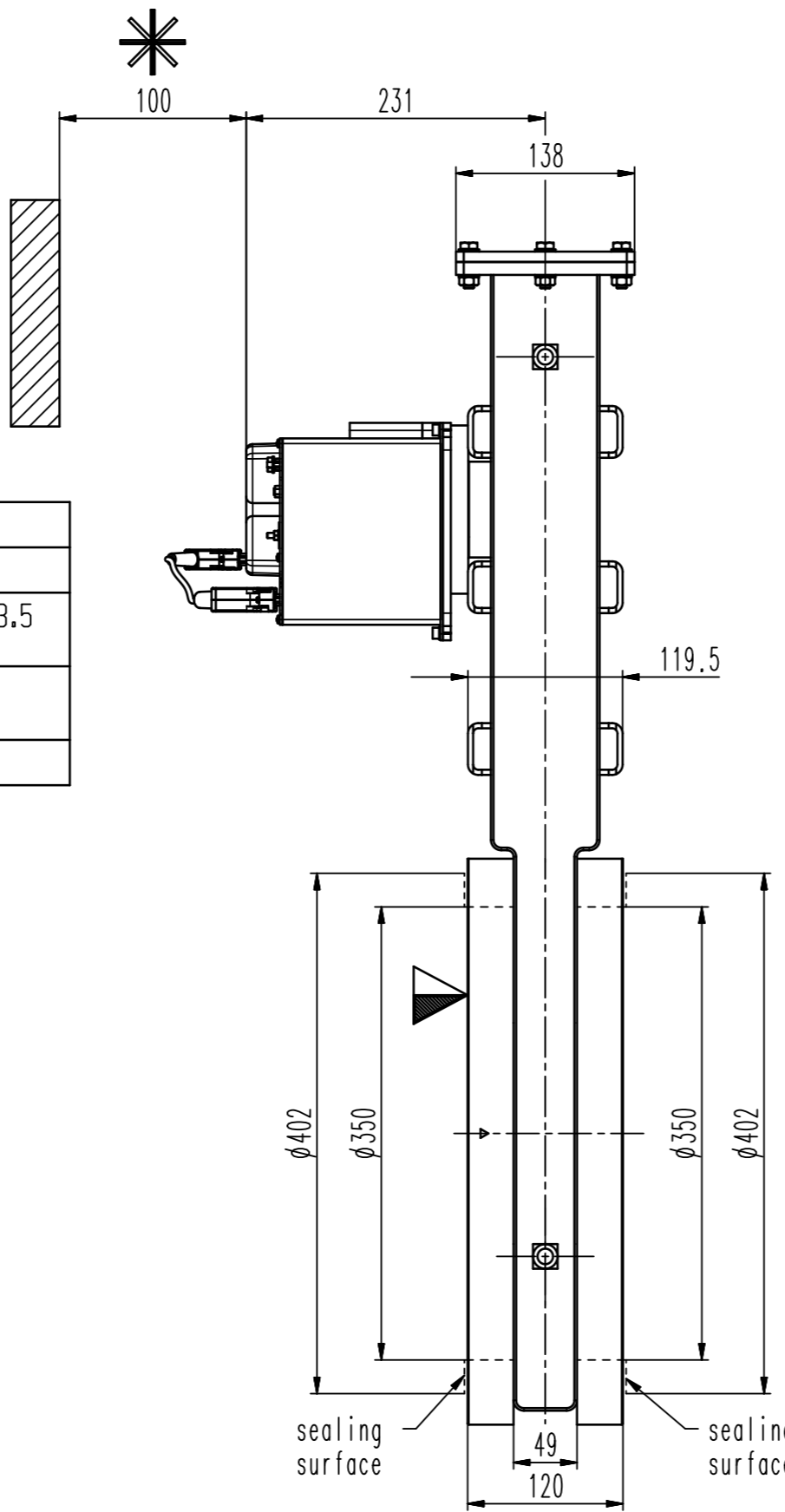
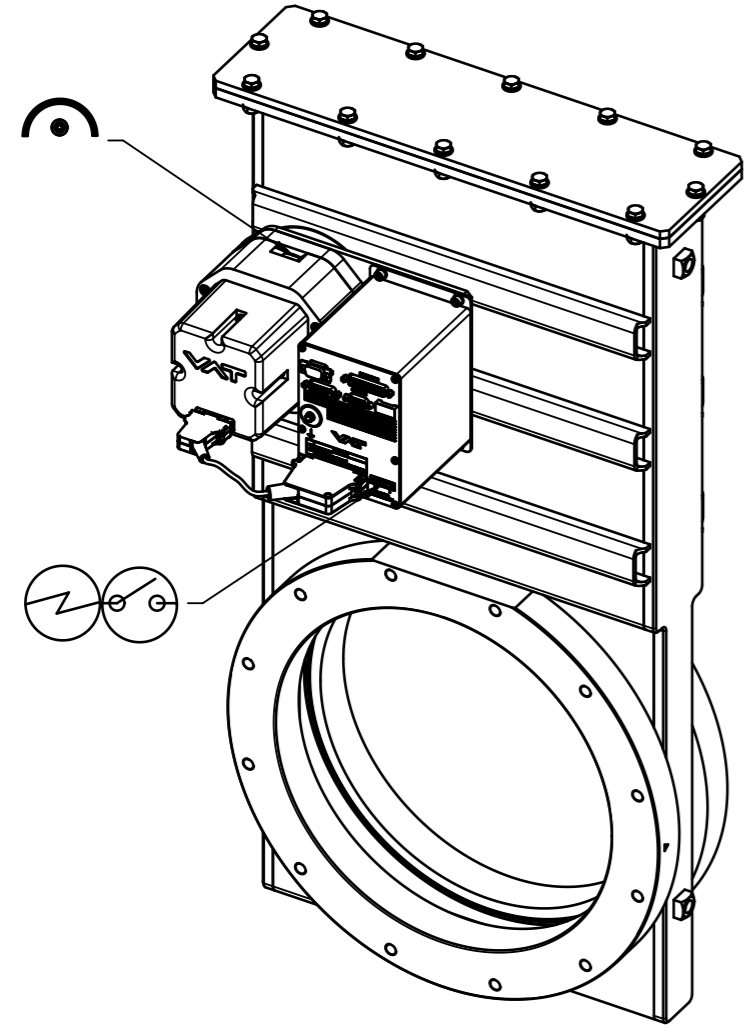
This drawing is the property of VAT.

Revision

Customer number



Connectors		
	Description	Type
POWER	Power input	Weidmuller SL3.5 male
SENSOR	Sensor input Sensor power supply	DB-15 female
INTERFACE	Logic interface	DB-25 female



- ▼ Seat side
- ⊙ Comp. air connection
- ⊙ Electrical connection
- ⊙ Leak detection port
- ⊙ Mech. pos. indication
- ⊙ Position indicator
- ⊙ Required for dismantling
- ⊙ Emergency actuation
- ⊙ For attachment
- ⊙ Bake-out area
- ⊙ Differential pumping port

Control gate valve
SPS / logic interface / 1 sensor



VAT Vakuumentile AG
CH-9469 Haag, Switzerland
Tel ++41 81 7716161 Fax ++41 81 7714830

Rev.-Date: 19.12.19
Visa: GKY

Series	642	Ordering No.	64251-JEAC-0001
Projection E	DN	Flange	JIS
Dimensional Drawing	350	Rev.	1010975