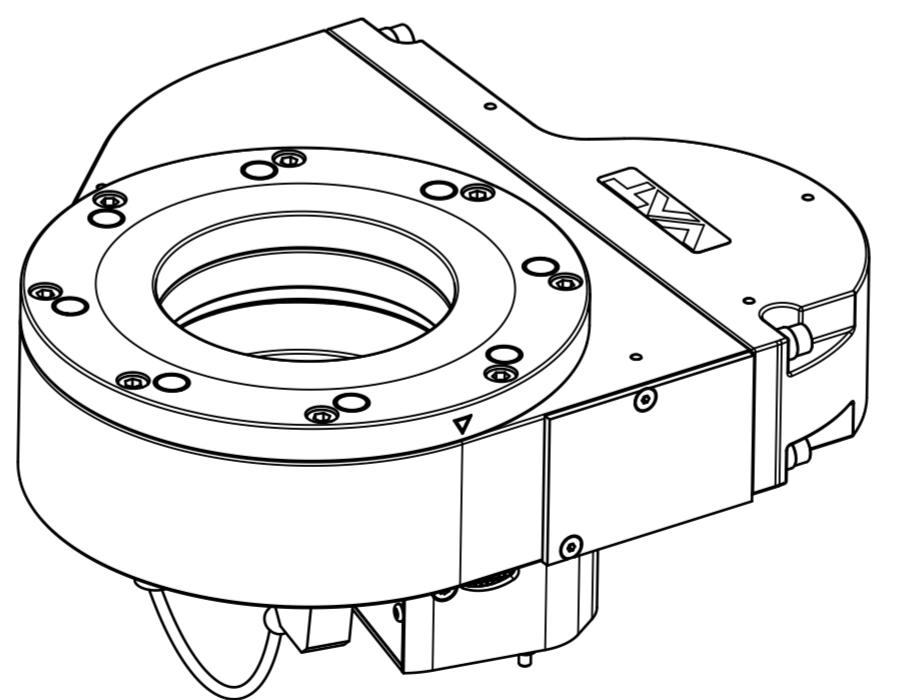
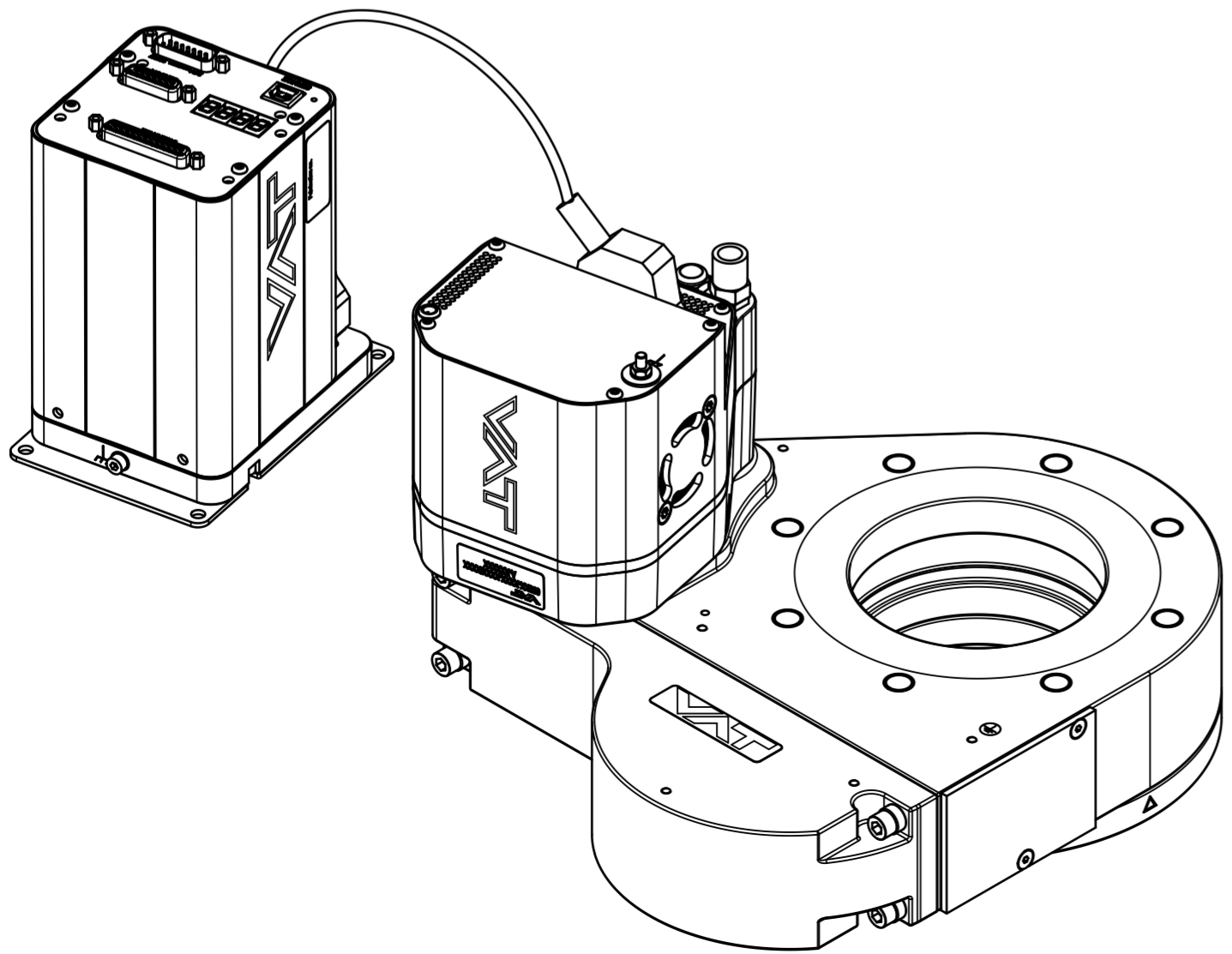


Revision
Customer number



Controller connectors		
	Description	Type
POWER / DIO	Power input / digital IO	D-SUB DA-15 (male)
SENSOR	Sensor input Sensor power supply	D-SUB DA-15 (female)
SERVICE	Service interface	USB type-B
INTERFACE	RS232 interface	D-SUB DB-25 (female)
VALVE	Valve output	D-SUB DD-50 (female)

- ▼ Seat side
- ⊙ Comp. air connection
- ⊙ Electrical connection
- ⊙ Leak detection port
- ⊙ Mech. pos. indication
- ⊙ Position indicator
- ⊙ Required for dismantling
- ⊙ Emergency actuation
- ⊙ For attachment
- ⊙ Bake-out area
- ⊙ Differential pumping port

Control pendulum valve
 UC-PFO / RS232 interface / 2 sensors
 controller external; with connection cable; length 2 m;

VAT Vakuumentile AG
 CH-9469 Haag, Switzerland
 Tel. ++41 81 7716161 Fax ++41 81 7714830

Rev.-Date: 14.04.22
 Visa: YONK

Series	Ordering No.
653	65340-JAHH-CR1
Projection E	DN
100	Flange
Dimensional Drawing	JIS
1157863	Rev. A