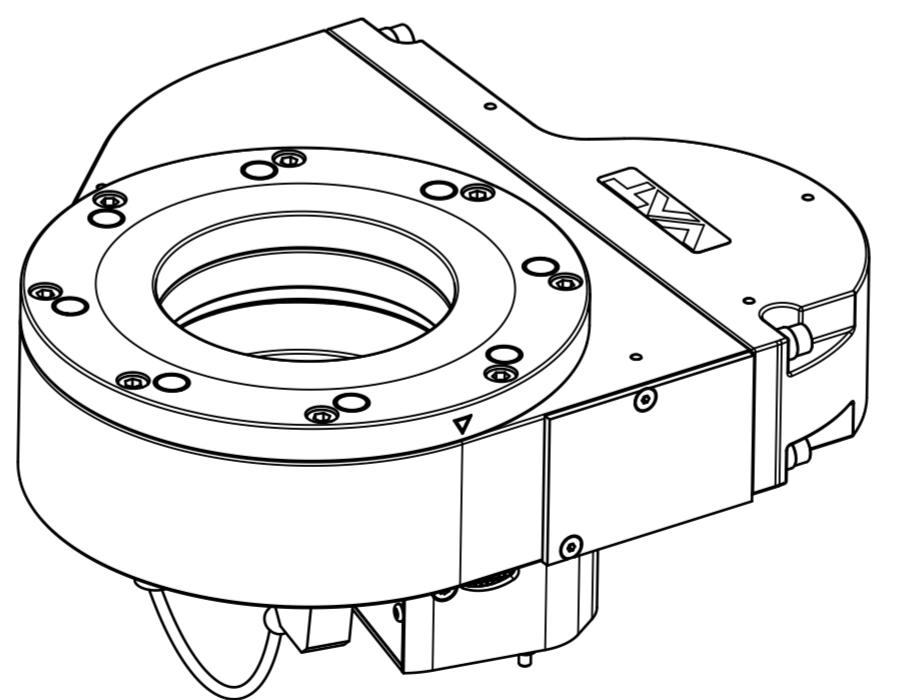
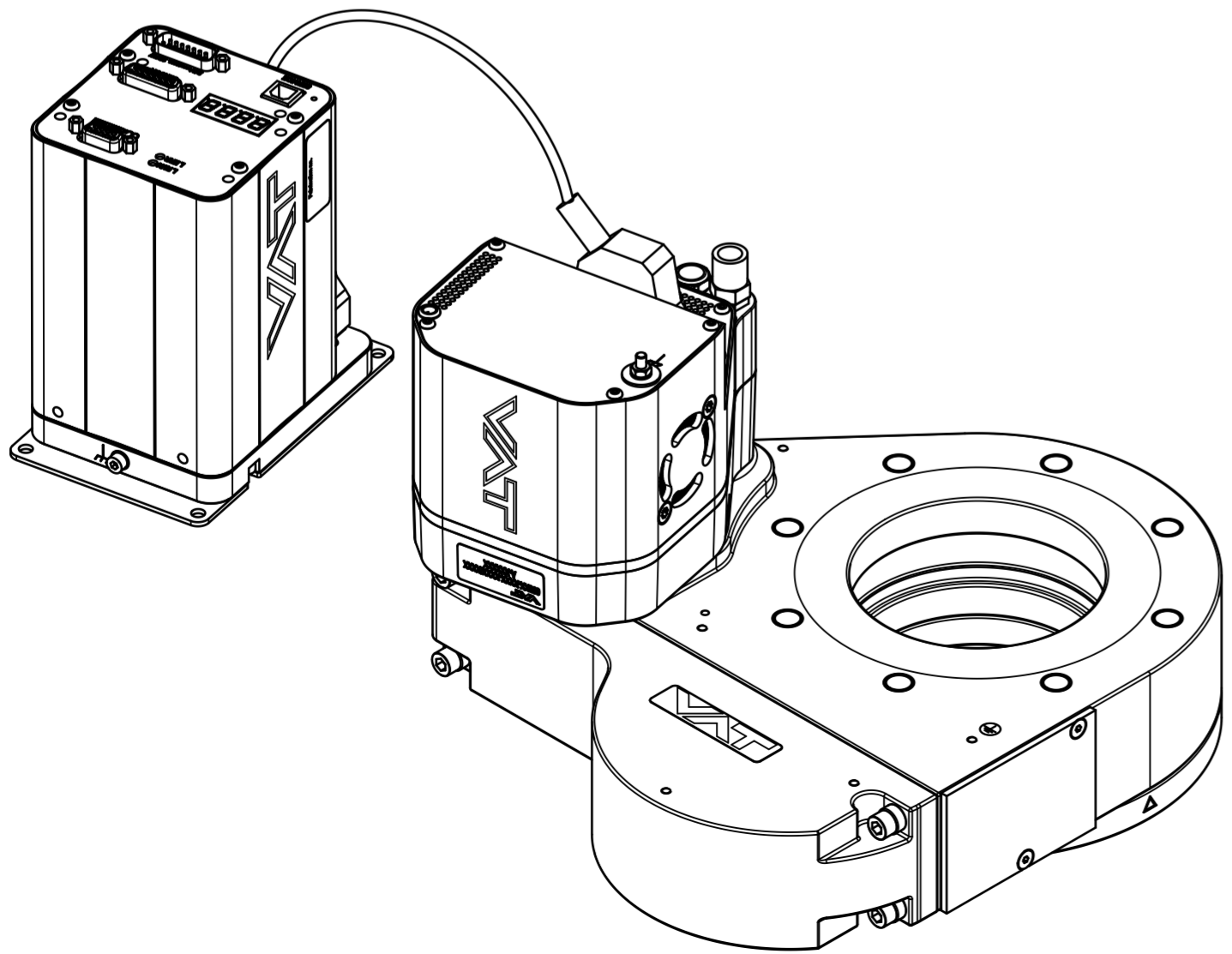


Revision
Customer number



Controller connectors		
	Description	Type
POWER / DIO	Power input / digital IO	D-SUB DA-15 (male)
SENSOR	Sensor input Sensor power supply	D-SUB DA-15 (female)
SERVICE	Service interface	USB type-B
INTERFACE	CC-Link interface	D-SUB DE-9 (female)

- ▼ Seat side
- ⊕ Comp. air connection
- ⊖ Electrical connection
- ⊙ Leak detection port
- ⊙ Mech. pos. indication
- ⊙ Position indicator
- ⊙ Required for dismantling
- ⊙ Emergency actuation
- ⊙ For attachment
- ⊙ Bake-out area
- ⊙ Differential pumping port

Control pendulum valve
UC-PFO / CC-Link / 2 sensors
controller external; with connection cable; length 2 m;

VAT Vakuumentile AG
CH-9469 Haag, Switzerland
Tel ++41 81 7716161 Fax ++41 81 7714830

Rev.-Date: 20.01.22
Visa: CHIC

Series	Ordering No.
653	65340-JAHN-CRK1
Projection E	DN
100	JIS
Dimensional Drawing	Rev.
1144069	A