



RS232 / RS485 / Logic



Ether CAT



Device Net



Valve Cluster Slave  
(without interface)



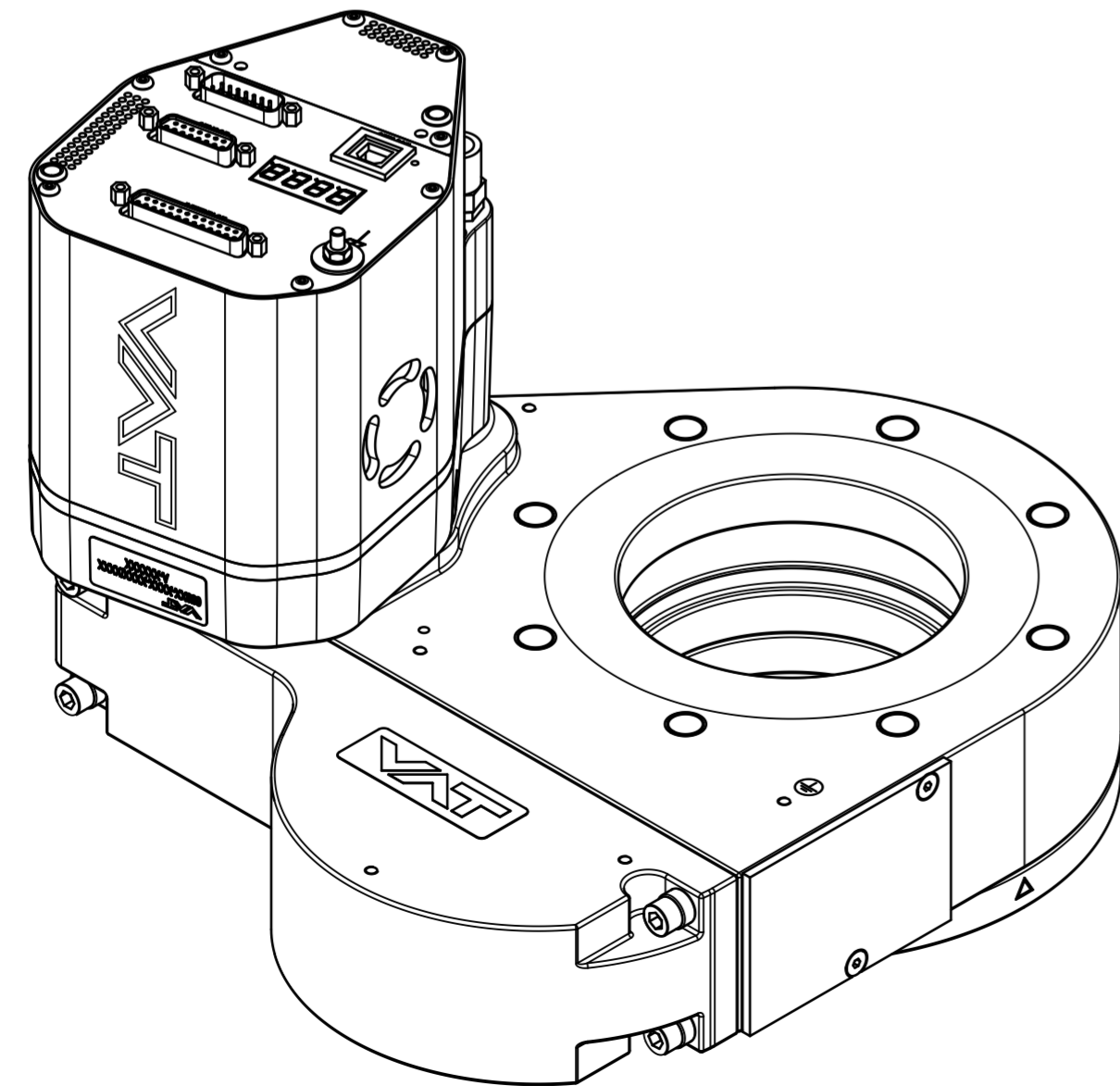
CC-Link



Profibus



Ether Net



Revision

Customer number

- ▼ Seat side
- Comp. air connection
- ⊕ Electrical connection
- ⊖ Leak detection port
- ⊙ Mech. pos. indication
- ⊙ Position indicator
- ⊙ Required for dismantling
- ⊙ Emergency actuation
- ⊙ For attachment
- ⊙ Bake-out area
- ⊙ Differential pumping port

Control pendulum valve



VAT Vakuumventile AG  
CH-9469 Haag, Switzerland  
Tel: ++41 81 7716161 Fax: ++41 81 7714830

Rev.-Date: 21.03.24  
Visa: TANK

|                     |         |              |         |
|---------------------|---------|--------------|---------|
| Series              | 653     | Ordering No. | JIS Std |
| Projection E        | DN      | Flange       |         |
|                     | 100     |              |         |
| Dimensional Drawing | 1280175 | Rev.         | A       |