



RS232 / RS485 / Logic



Ether CAT



Device Net



Valve Cluster Slave
(without interface)



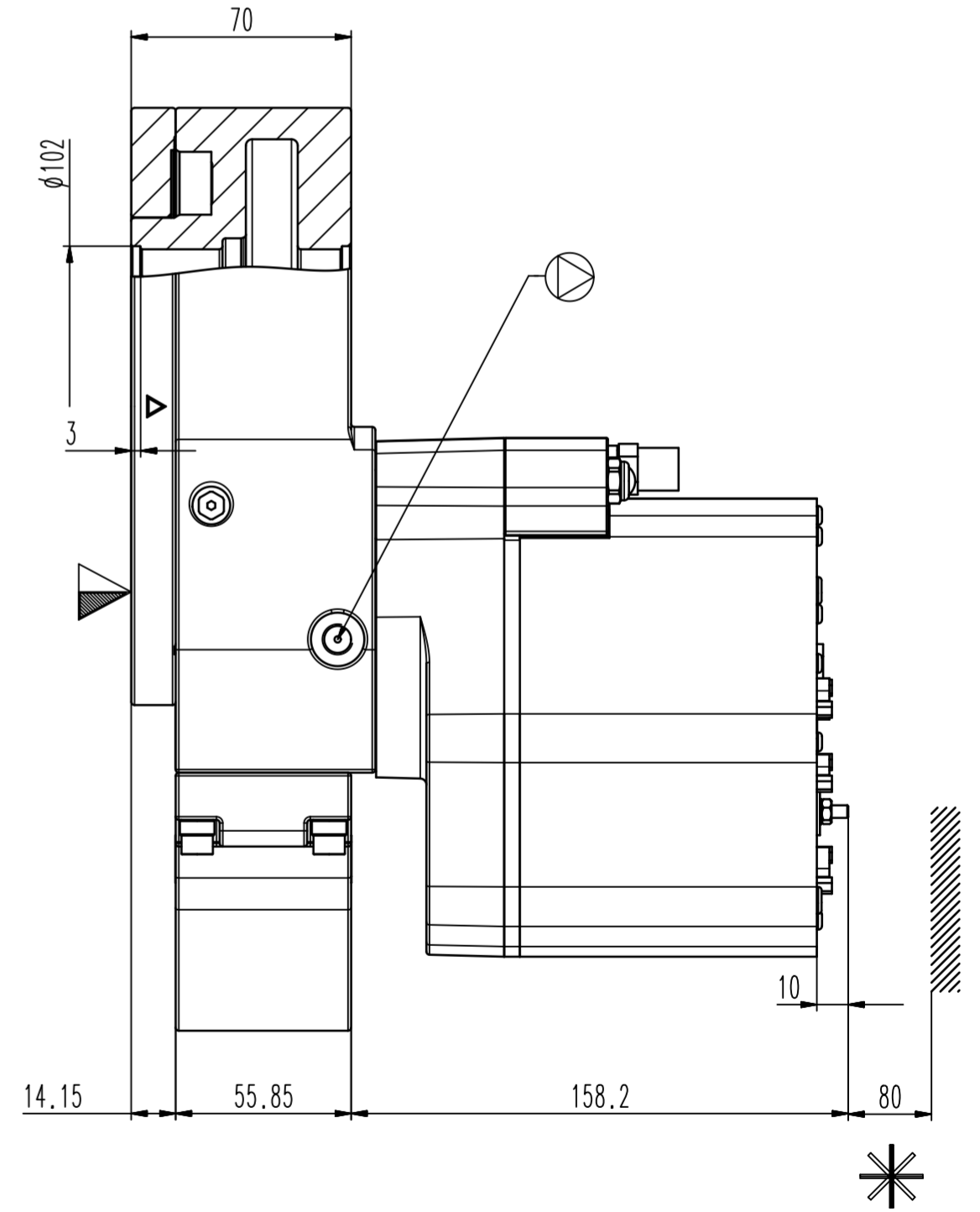
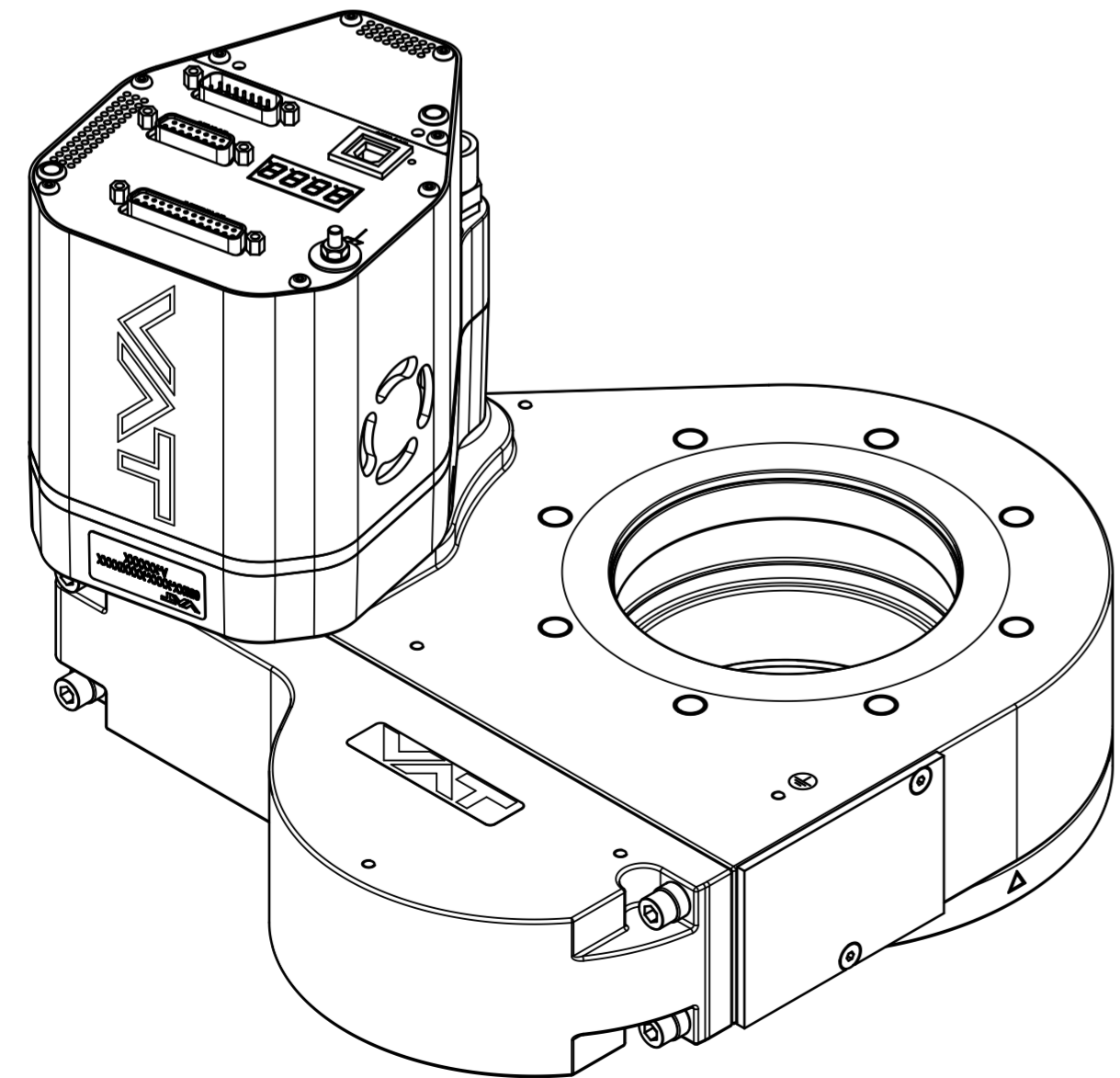
CC-Link



Profibus



Ether Net



Revision

Customer number

- ▼ Seat side
- Comp. air connection
- ⊕ Electrical connection
- ⊙ Leak detection port
- ⊖ Mech. pos. indication
- ⊗ Position indicator
- ⊛ Required for dismantling
- ⊚ Emergency actuation
- ⊘ For attachment
- ⊙ Bake-out area
- ⊙ Differential pumping port

Control pendulum valve

VAT VAT Vakuumventile AG
CH-9469 Haag, Switzerland
Tel: ++41 81 7716161 Fax: ++41 81 7714830

Rev.-Date: 20.02.24
Visa: TANK

Series	653	Ordering No.	ISO Std	Rev.	A
Projection E	DN	Flange			
Dimensional Drawing	100	1274188			