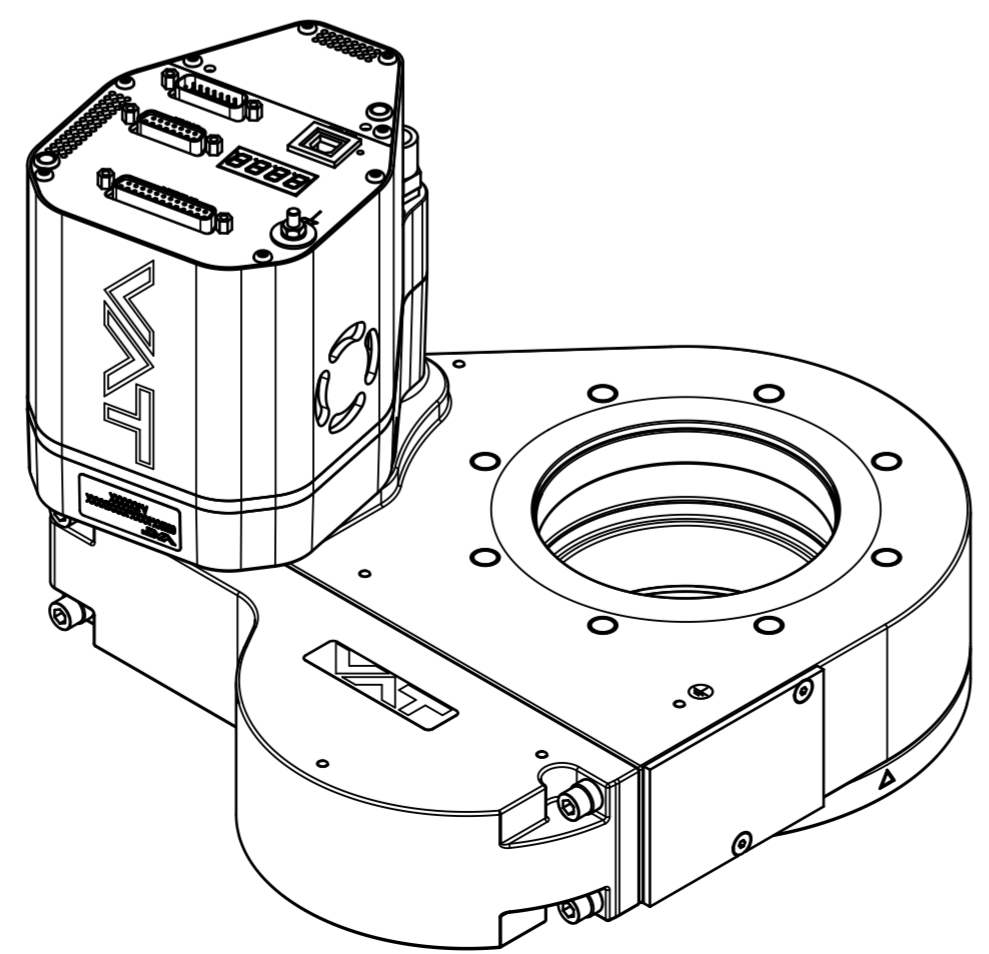
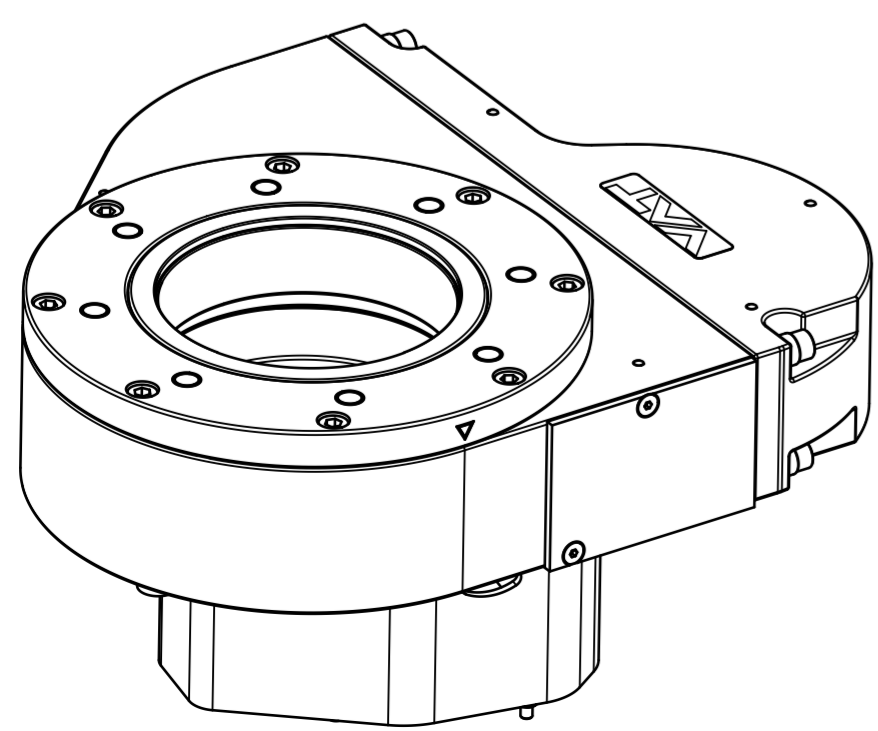


Revision
Customer number



Connectors		
	Description	Type
POWER / DIO	Power input / digital IO	D-SUB DA-15 (male)
SENSOR	Sensor input Sensor power supply	D-SUB DA-15 (female)
SERVICE	Service interface	USB type-B
INTERFACE	RS232 interface	D-SUB DB-25 (female)

- ▼ Seat side
- ⊙ Comp. air connection
- ⊙ Electrical connection
- ⊙ Leak detection port
- ⊙ Mech. pos. indication
- ⊙ Position indicator
- ⊙ Required for dismantling
- ⊙ Emergency actuation
- ⊙ For attachment
- ⊙ Bake-out area
- ⊙ Differential pumping port

Control pendulum valve
RS232 interface / 2 sensors



VAT Vakuumventile AG
CH-9469 Haag, Switzerland
Tel ++41 81 7716161 Fax ++41 81 7714830

Series	653	Ordering No.	65340-PHGH-0001
Projection E	DN	Flange	ISO-F
Dimensional Drawing	100	Rev.	B