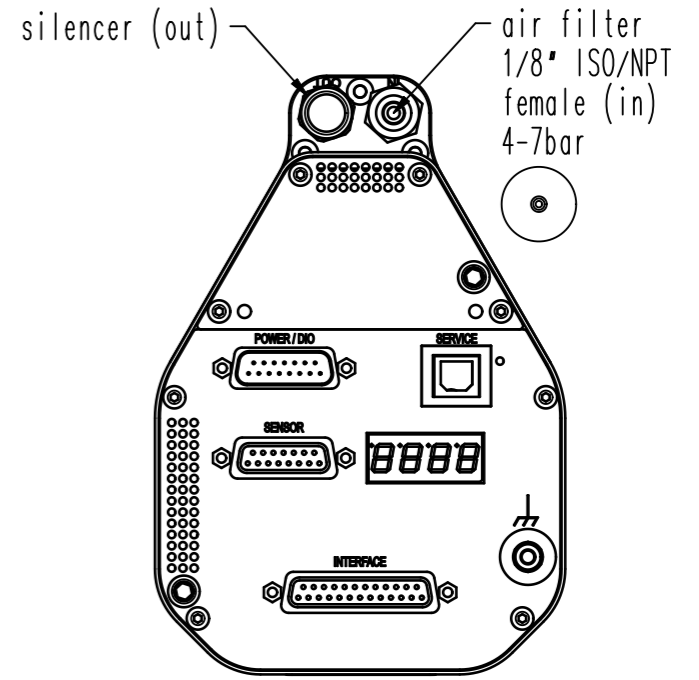
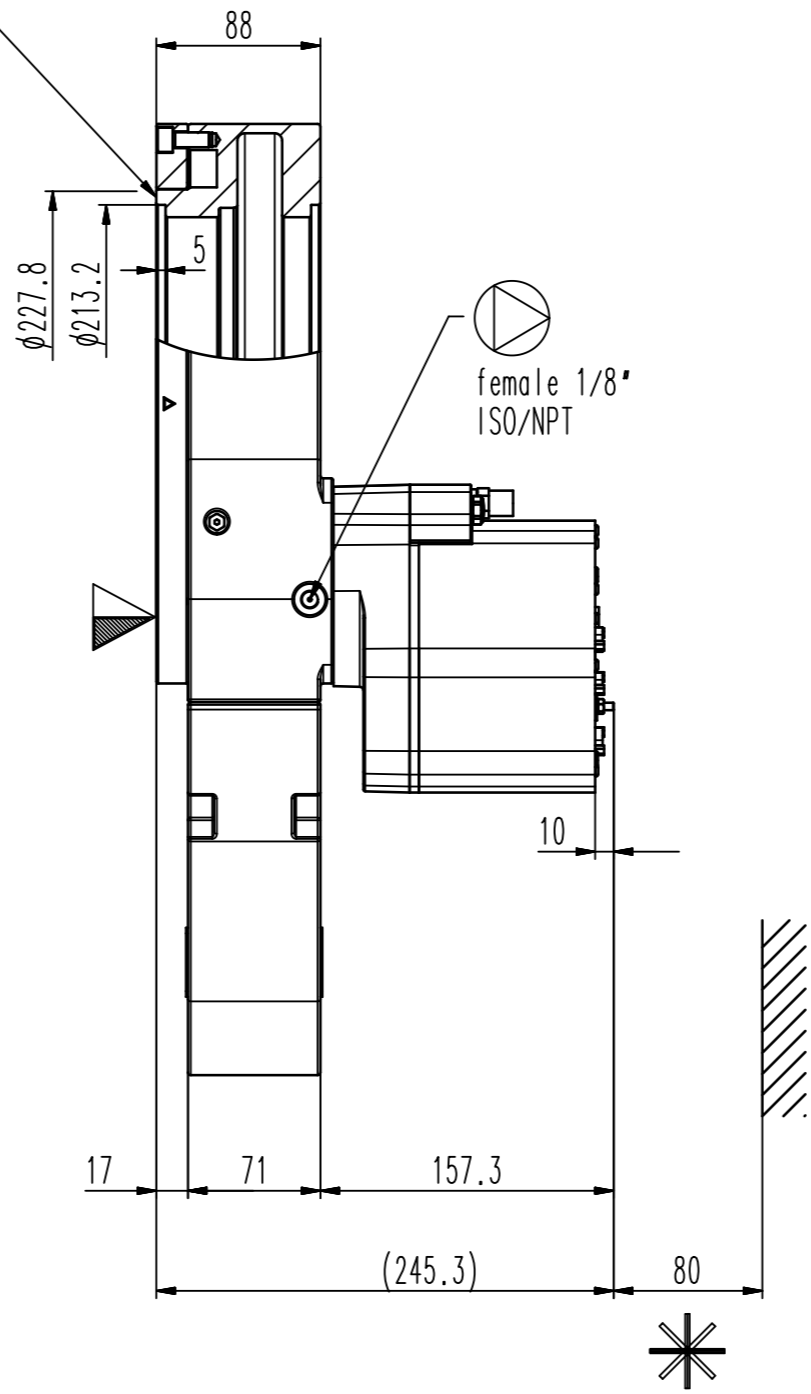
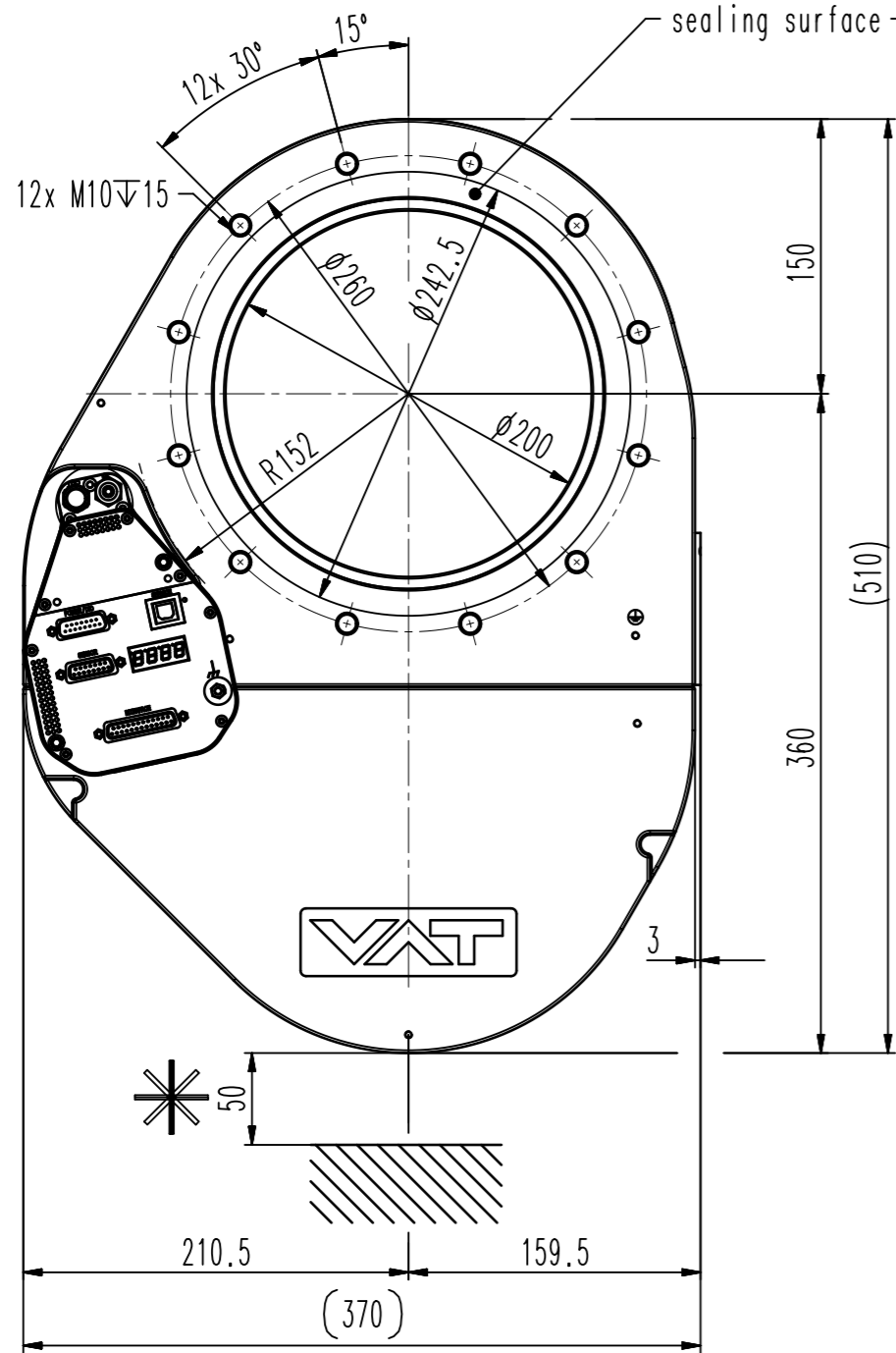
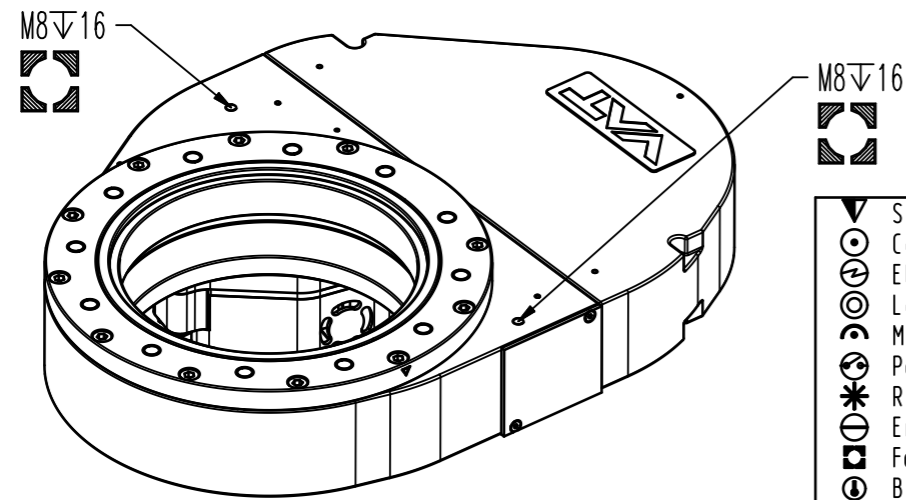
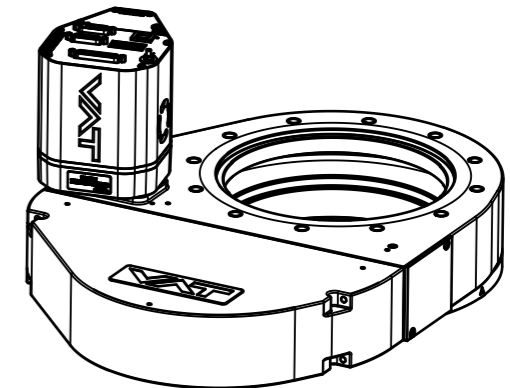


Revision

Customer number



Connectors		
	Description	Type
POWER / DIO	Power input / digital IO	D-SUB DA-15 (male)
SENSOR	Sensor input Sensor power supply	D-SUB DA-15 (female)
SERVICE	Service interface	USB type-B
INTERFACE	RS485 interface	D-SUB DB-25 (female)



- ▼ Seat side
- ⊙ Comp. air connection
- ⊕ Electrical connection
- ⊖ Leak detection port
- ⊗ Mech. pos. indication
- ⊘ Position indicator
- ⊙\* Required for dismantling
- ⊙⊕ Emergency actuation
- ⊙⊖ For attachment
- ⊙⊗ Bake-out area
- ⊙⊘ Differential pumping port

**Control pendulum valve**  
UC-PFO / SPS / RS485 interface / 2 sensors



VAT Vakuumentile AG  
CH-9469 Haag, Switzerland  
Tel ++41 81 7716161 Fax ++41 81 7714830

Rev.-Date: 07.05.21  
Visa: TANK

Series	653	Ordering No.	65346-PHCK-0001
Projection E	DN	Flange	ISO-F
Dimensional Drawing	200	1075064	Rev. B