

RS232 / RS485 / Logic



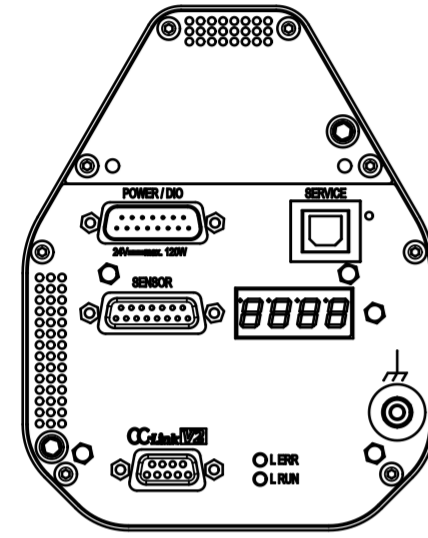
Ether CAT



Device Net



Valve Cluster Slave (without interface)



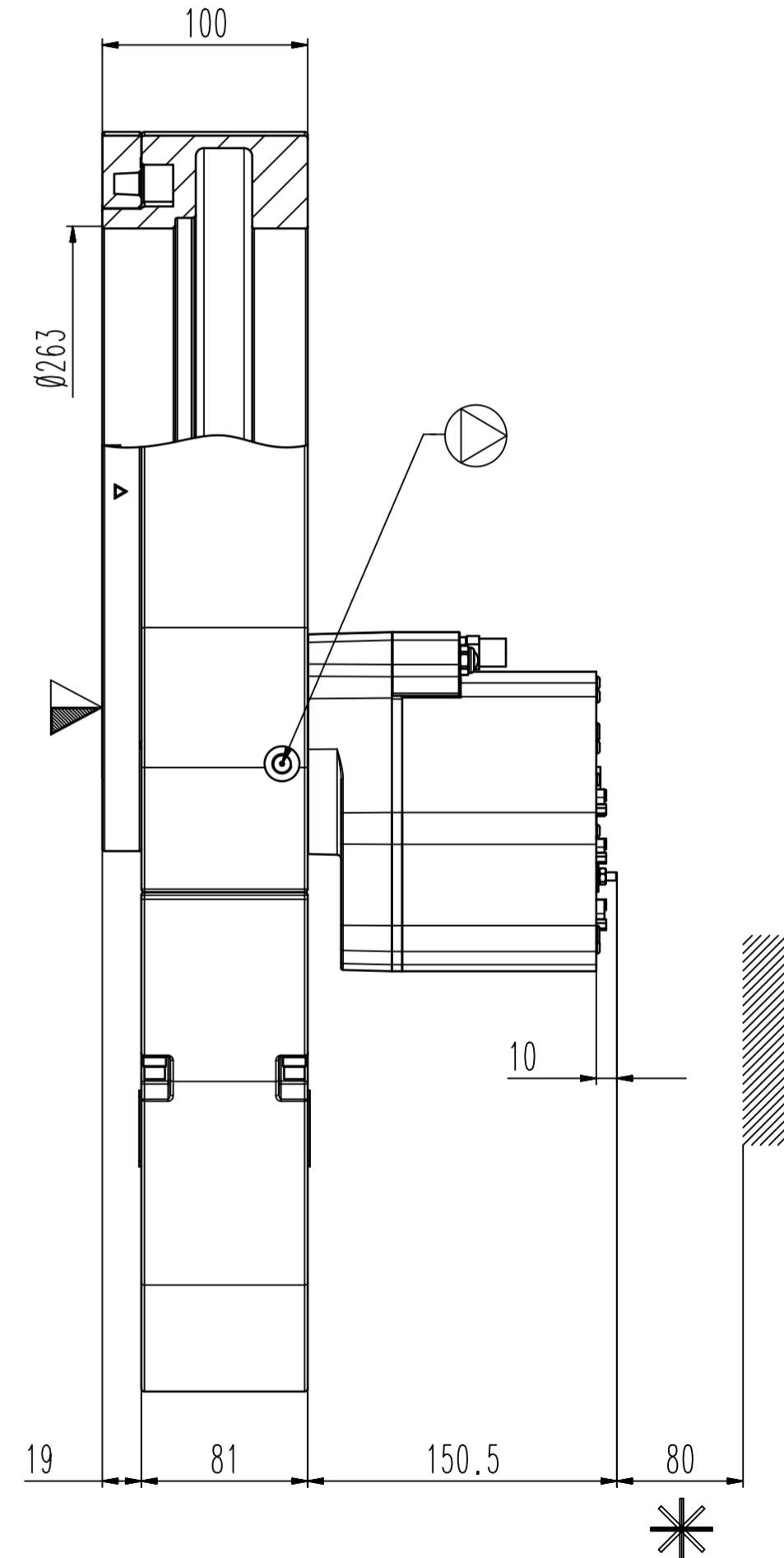
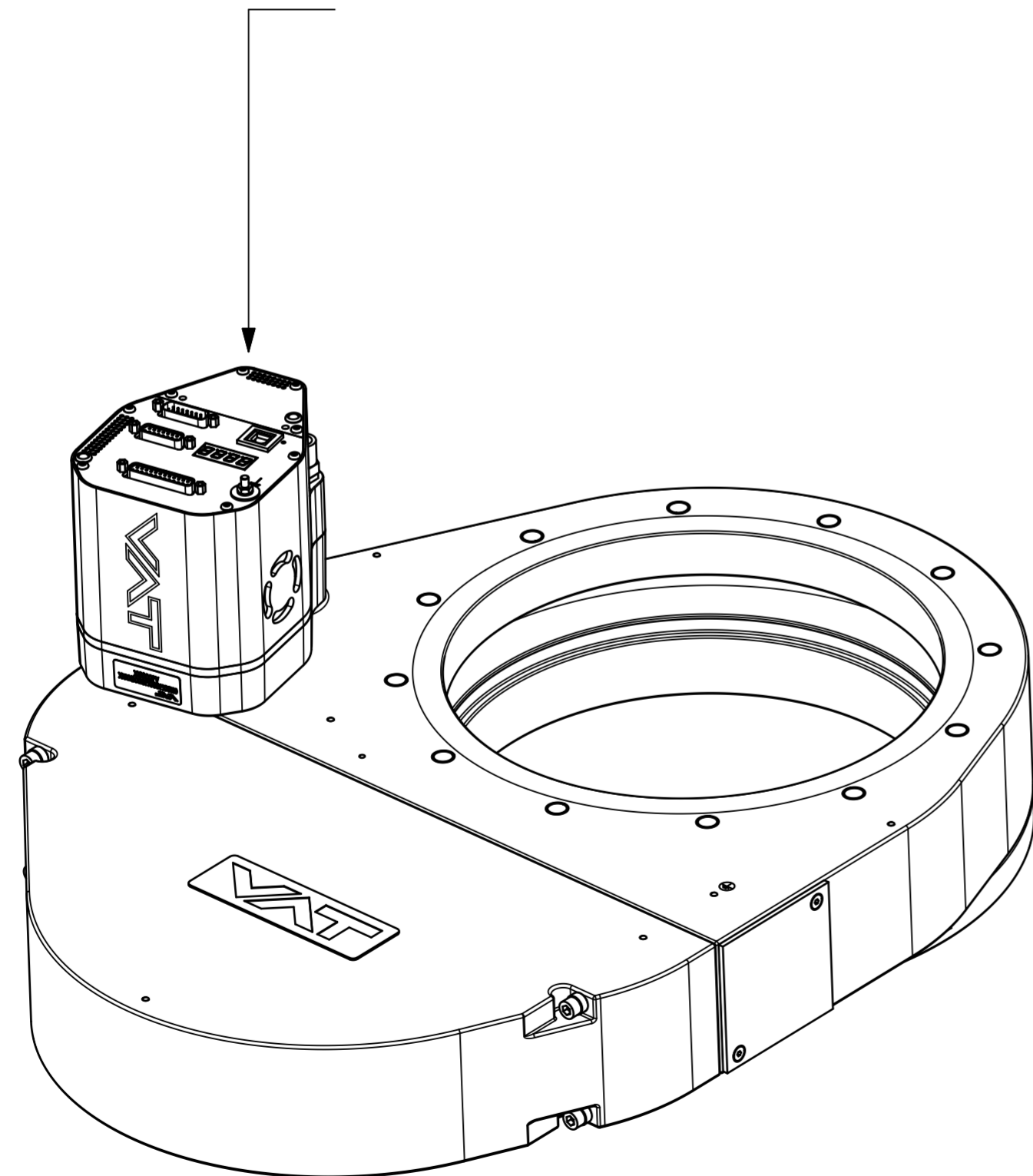
CC-Link



Profibus



Ether Net

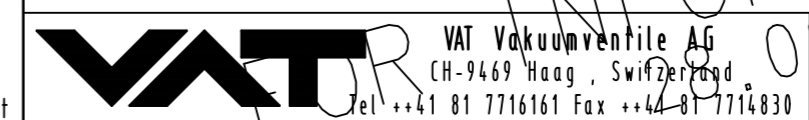


Revision

Customer number

- ▼ Seat side
- ⊕ Comp. air connection
- ⊖ Electrical connection
- ⊙ Leak detection port
- ⊕ Mech. pos. indication
- ⊖ Position indicator
- ✳ Required for dismantling
- ⊕ Emergency actuation
- ⊖ For attachment
- ⊙ Bake-out area
- ⊕ Differential pumping port

Control pendulum valve



Series	Ordering No.	Rev.
053	ISO Std	A
Projection E	DN	Flange
250		
Dimensional Drawing	1297566	

INFORMATION ONLY
 Rev. Date: 27.06.24
 Visa: TANK