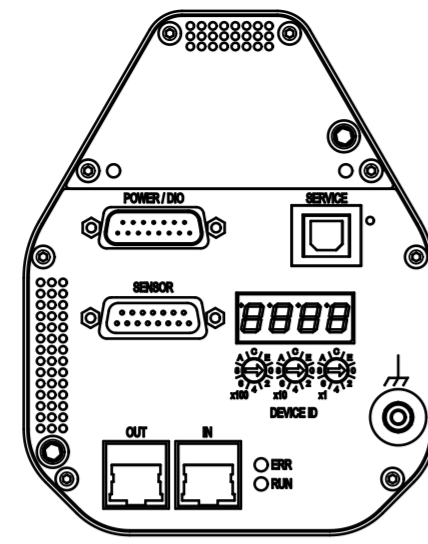
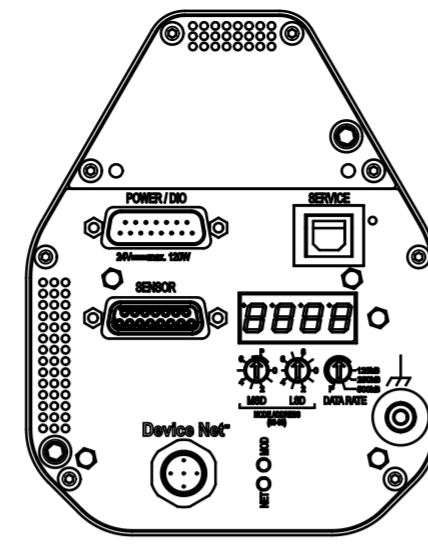


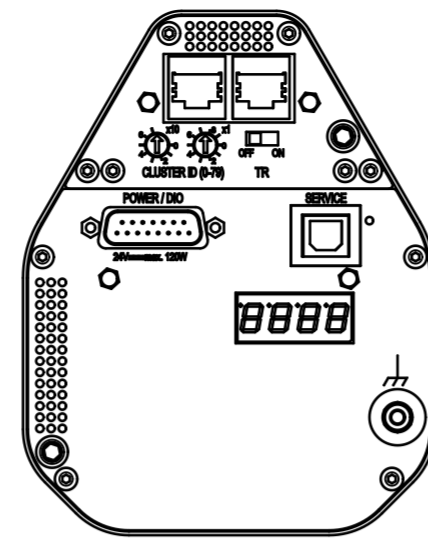
RS232 / RS485 / Logic



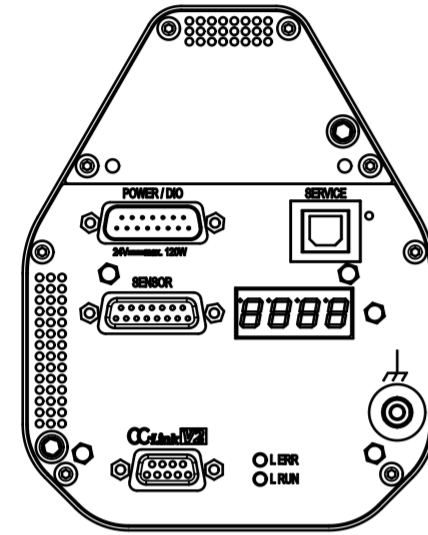
Ether CAT



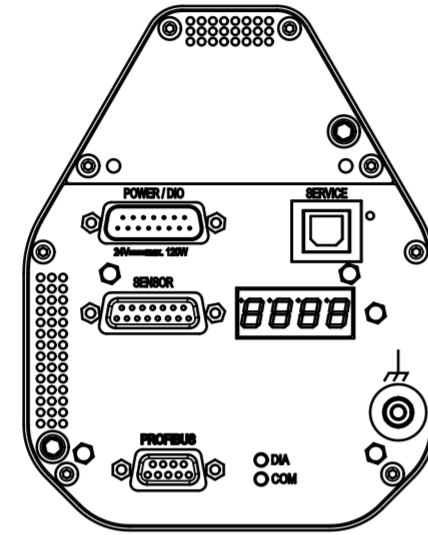
Device Net



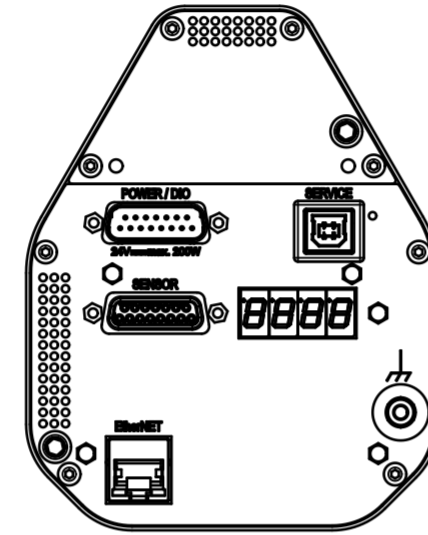
Valve Cluster Slave
(without interface)



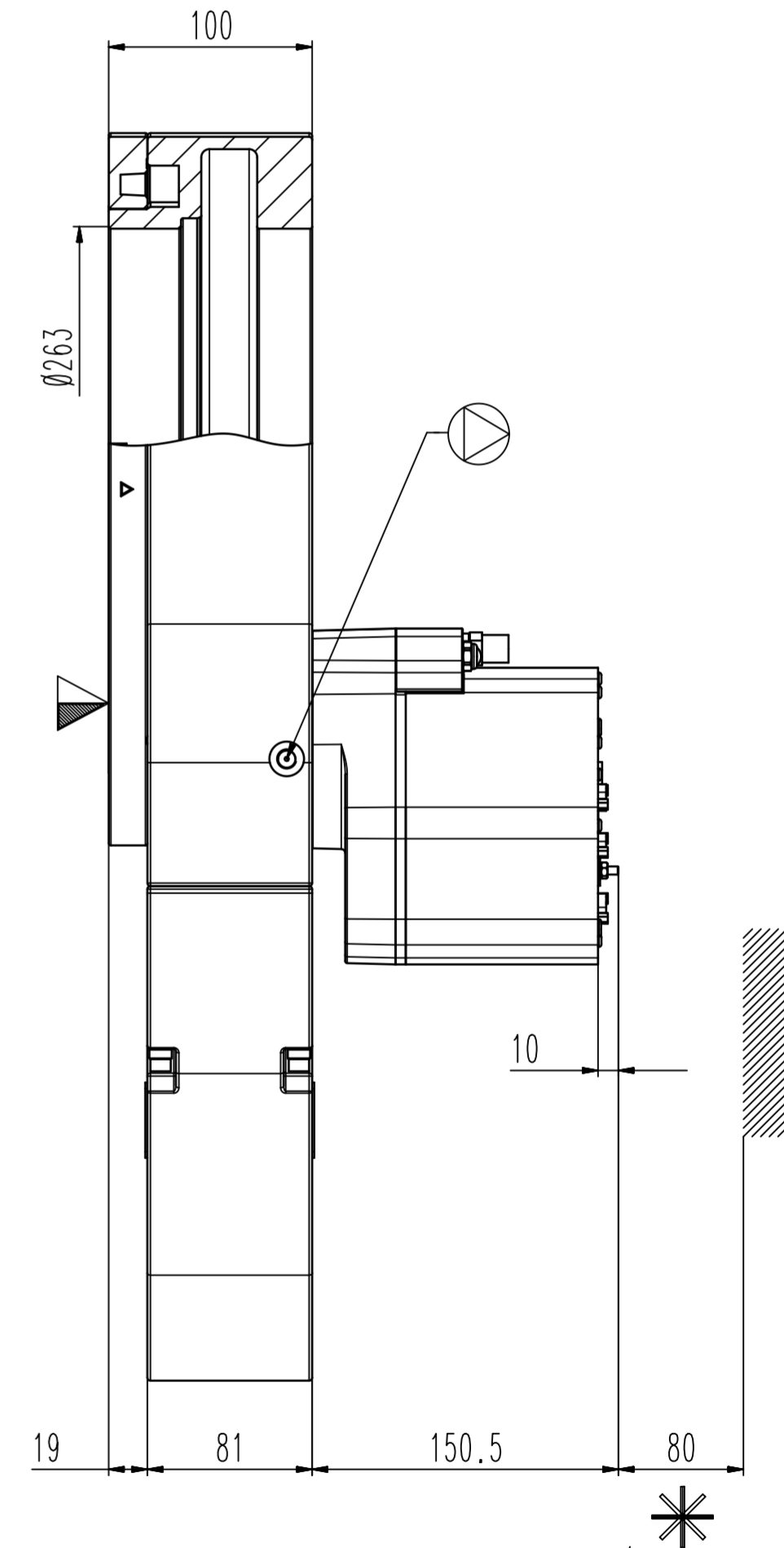
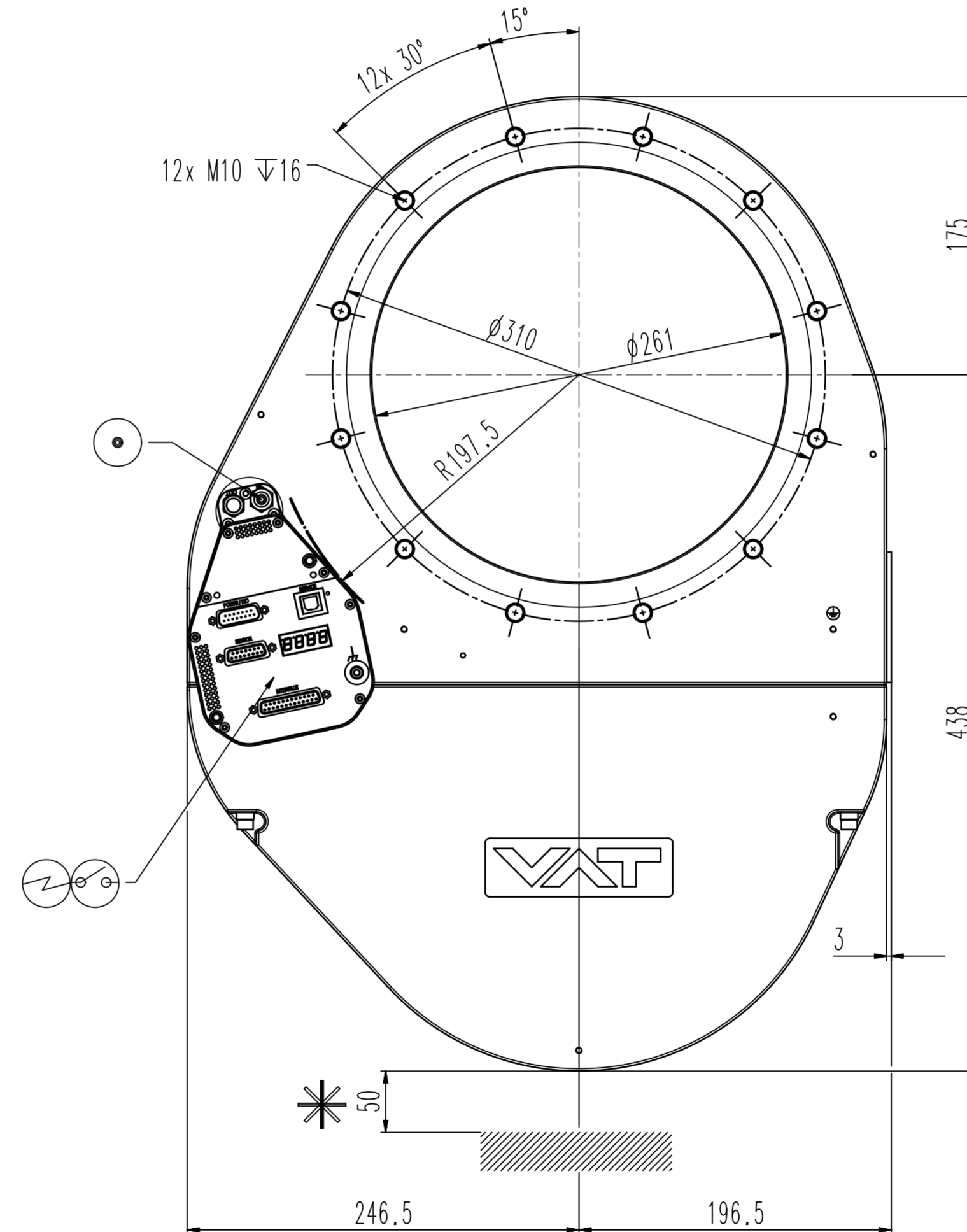
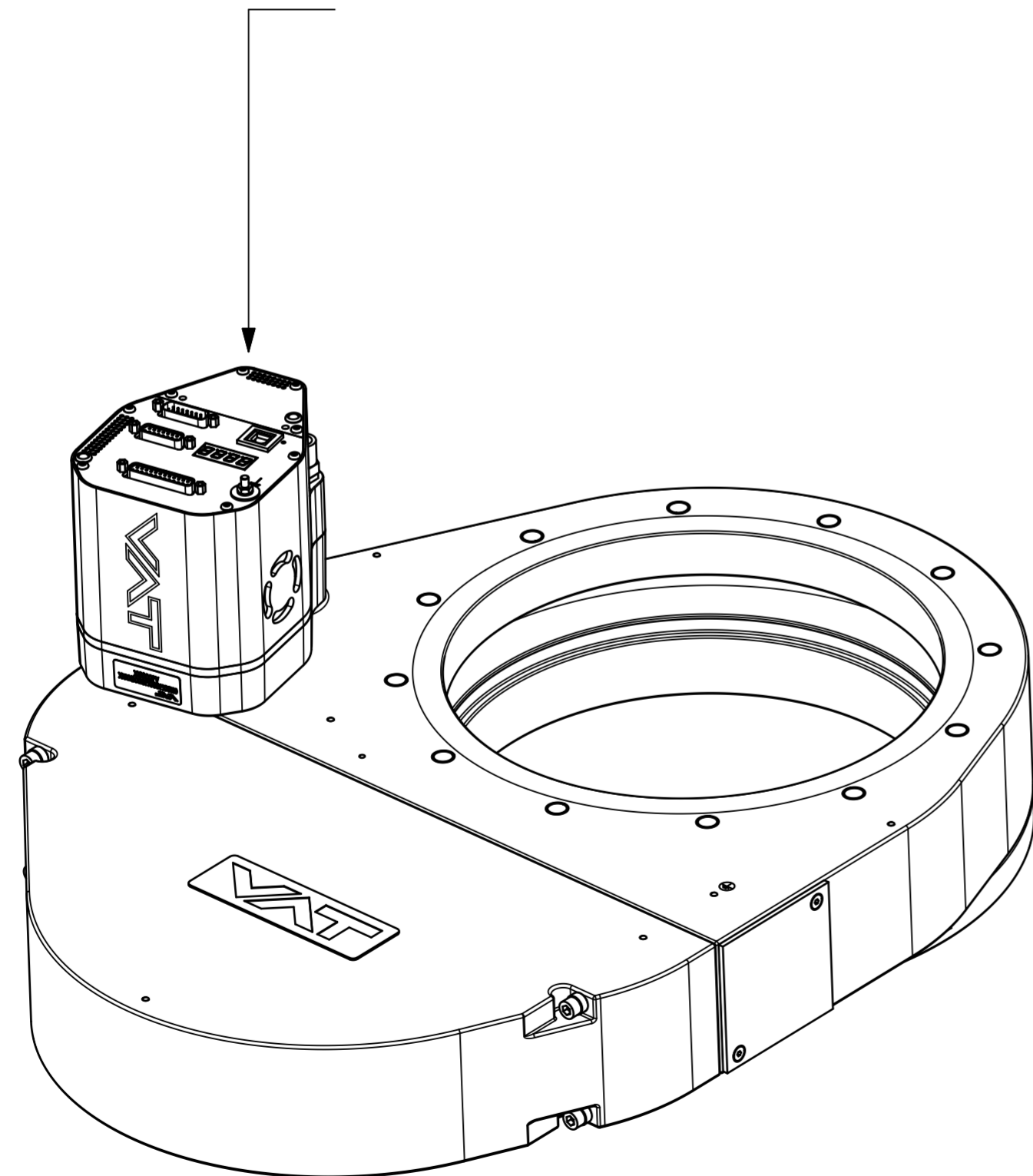
CC-Link



Profibus



Ether Net



Revision
Customer number

- ▼ Seat side
- Comp. air connection
- Electrical connection
- Leak detection port
- Mech. pos. indication
- Position indicator
- Required for dismantling
- Emergency actuation
- For attachment
- Bake-out area
- Differential pumping port

Control pendulum valve

VAT Vakuumentile AG
CH-9469 Haag, Switzerland
Tel: ++41 81 7716161 Fax: ++41 81 7716830

Series	Ordering No.	Projection E	DN	Flange
0853	ISO Std			
Dimensional Drawing	1297566	250		Rev. A