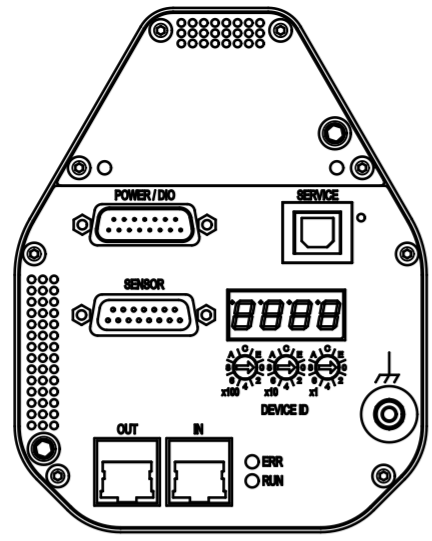
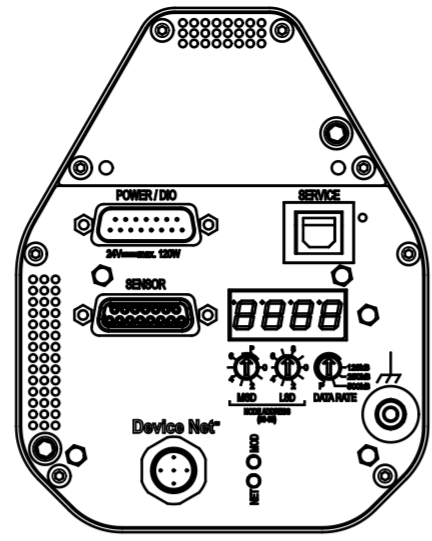


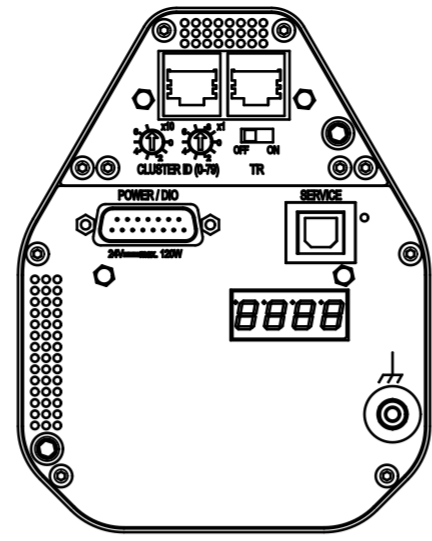
RS232 / RS485 / Logic



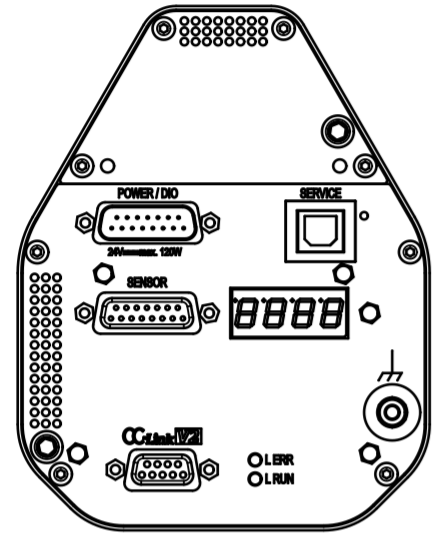
Ether CAT



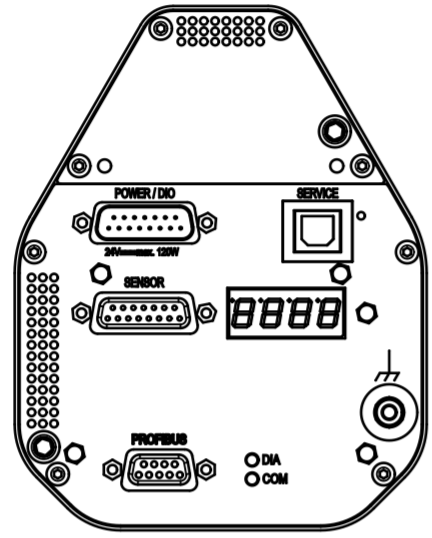
Device Net



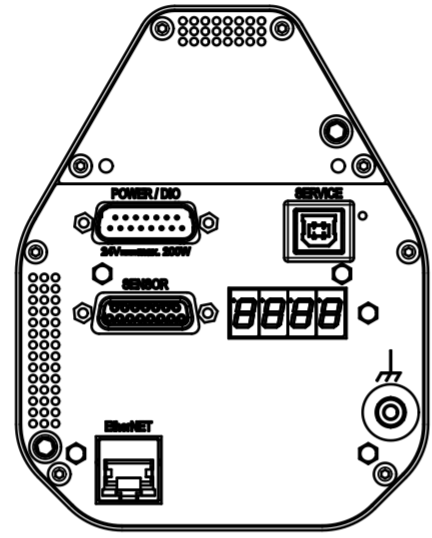
Valve Cluster Slave (without interface)



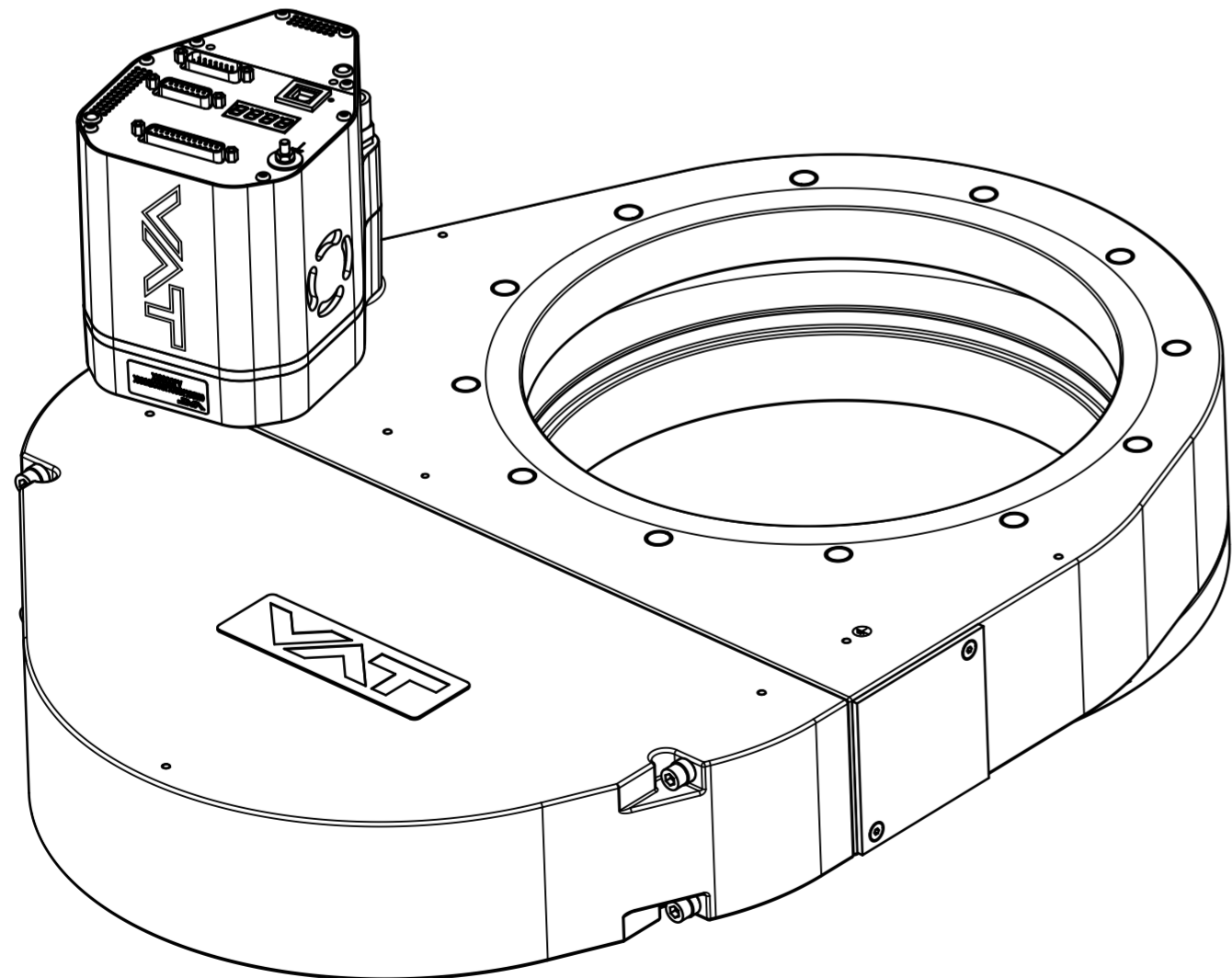
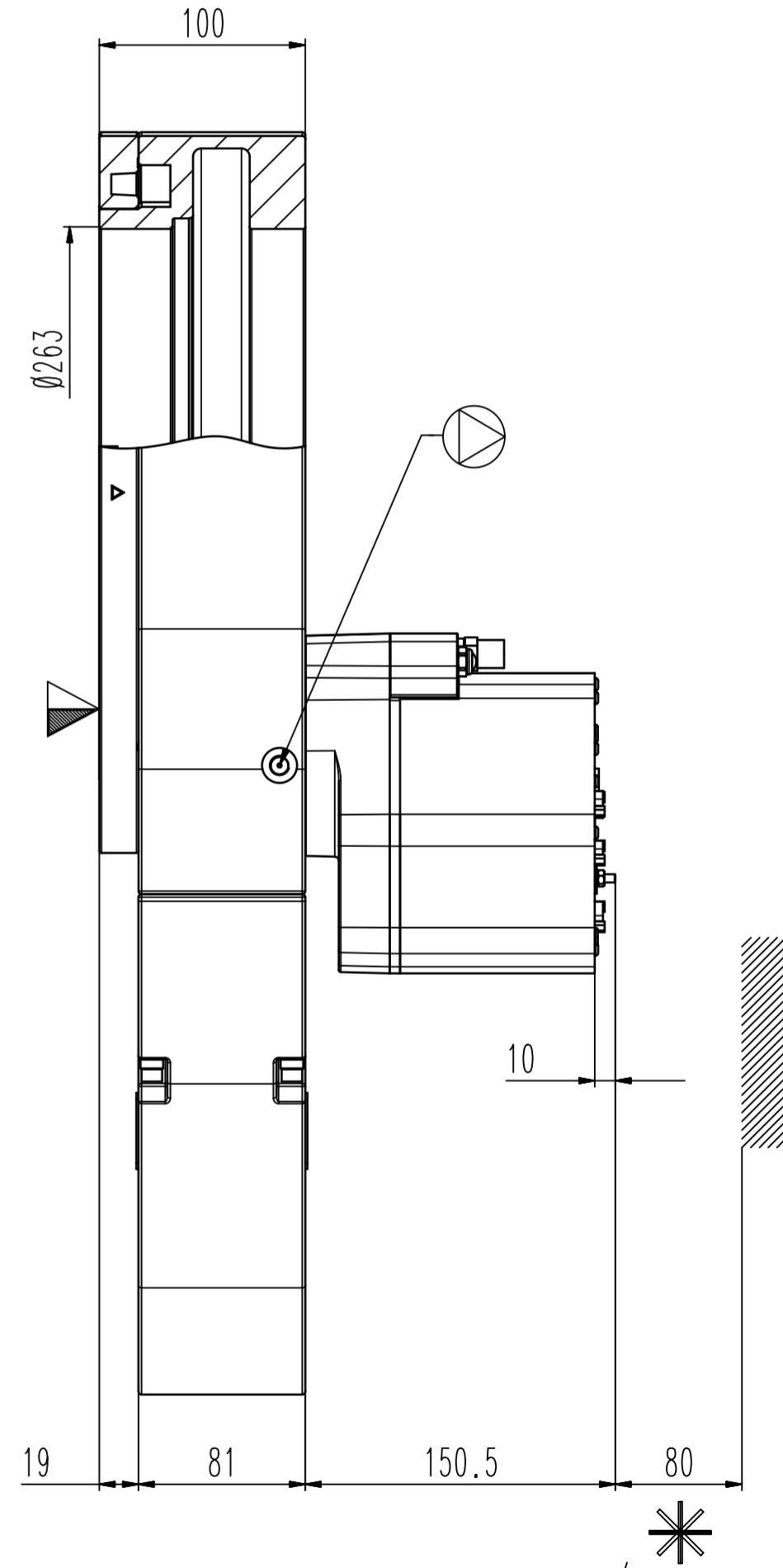
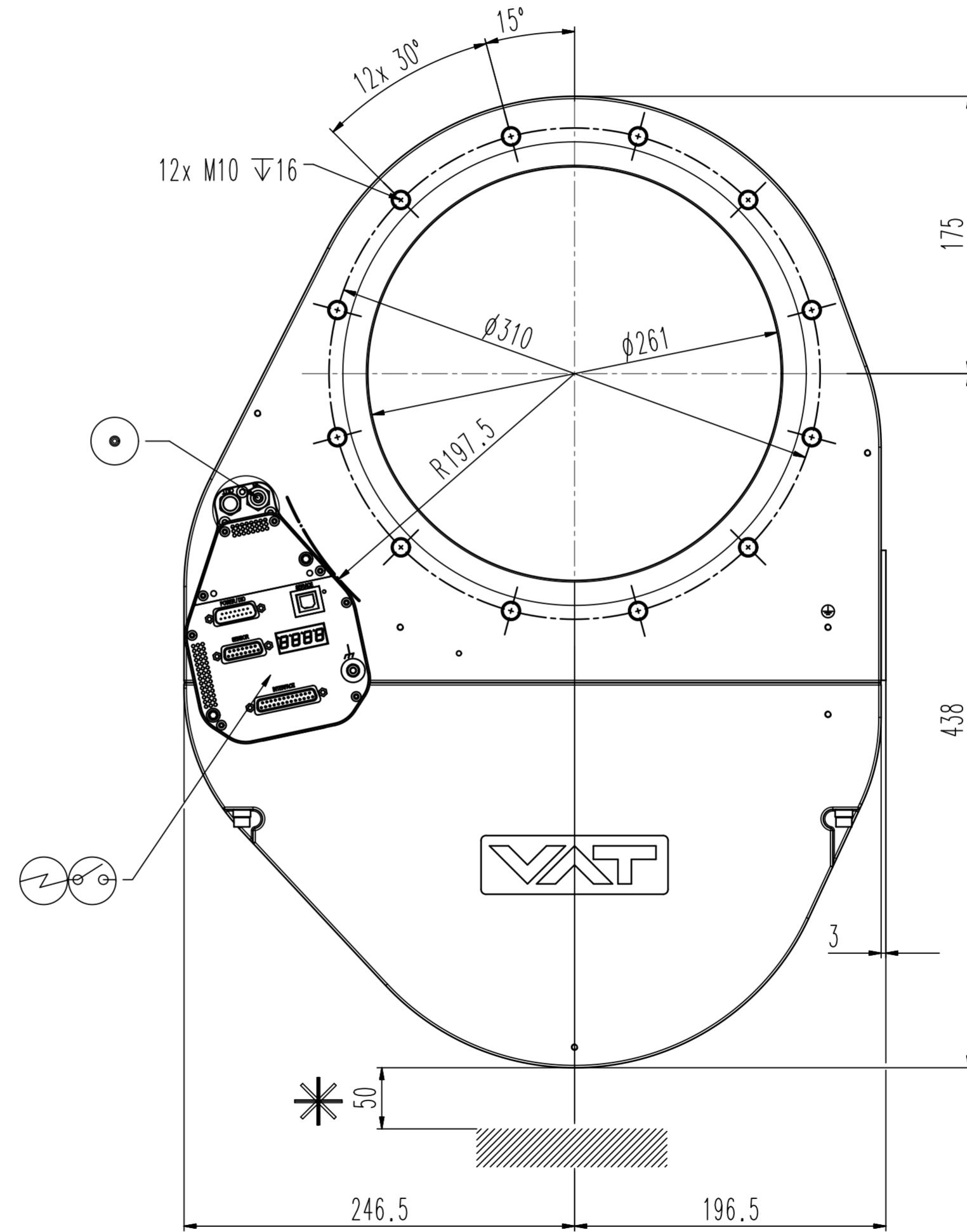
CC-Link



Profibus



Ether Net



- ▼ Seat side
- ⊙ Comp. air connection
- ⊙ Electrical connection
- ⊙ Leak detection port
- ⊙ Mech. pos. indication
- ⊙ Position indicator
- ⊙ Required for dismantling
- ⊙ Emergency actuation
- ⊙ For attachment
- ⊙ Bake-out area
- ⊙ Differential pumping port

Control pendulum valve



Series	Ordering No.	ISO Std	Rev.
053	ONLY		A
Projection E	DN	Flange	
250			
Dimensional Drawing	1297566		

Revision
Customer number