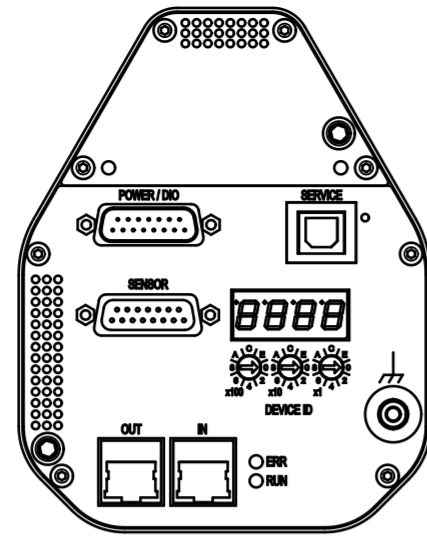
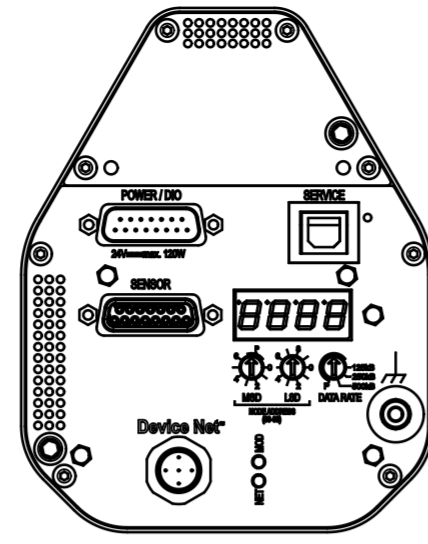


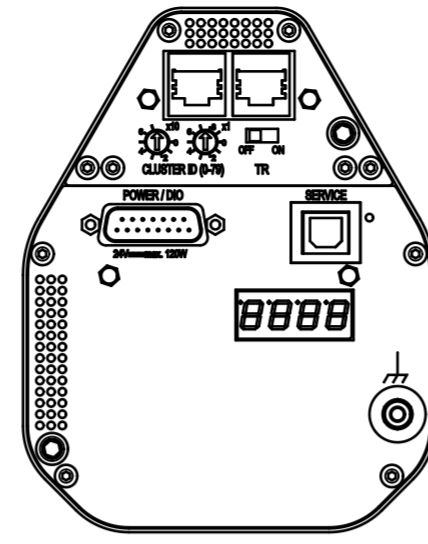
RS232 / RS485 / Logic



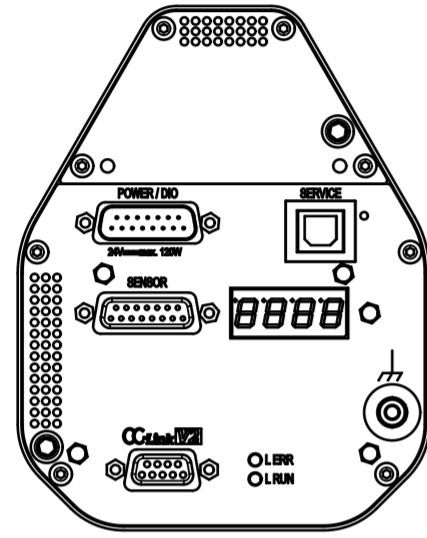
Ether CAT



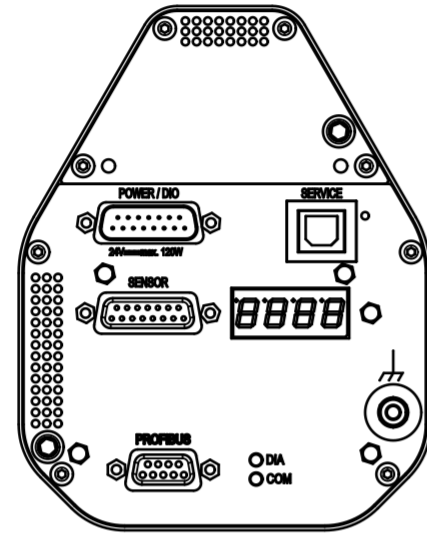
Device Net



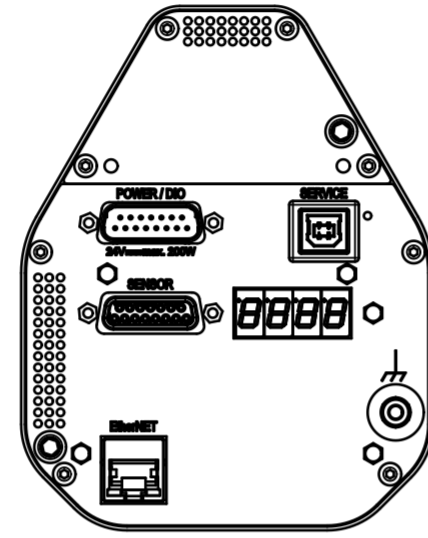
Valve Cluster Slave
(without interface)



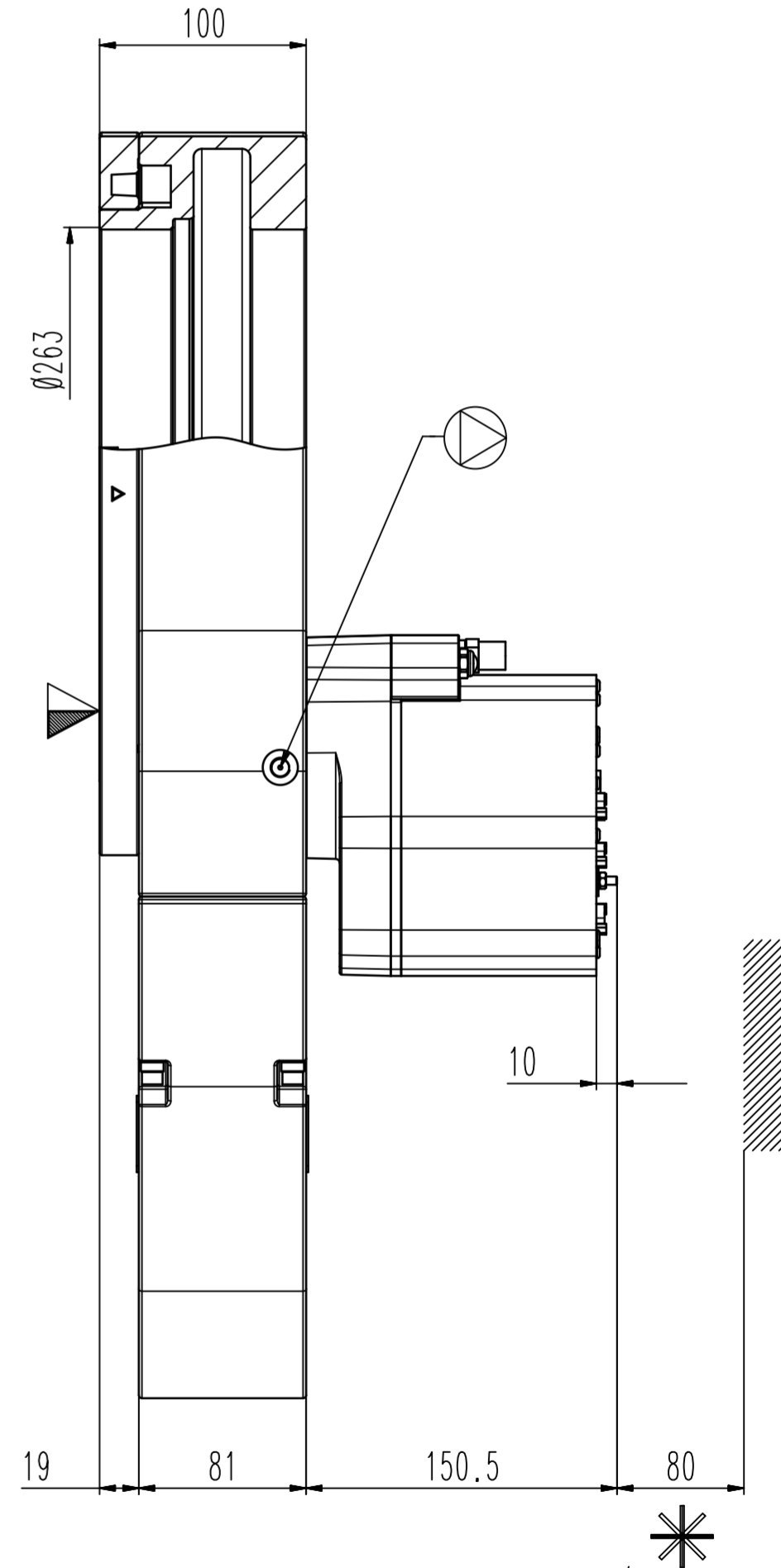
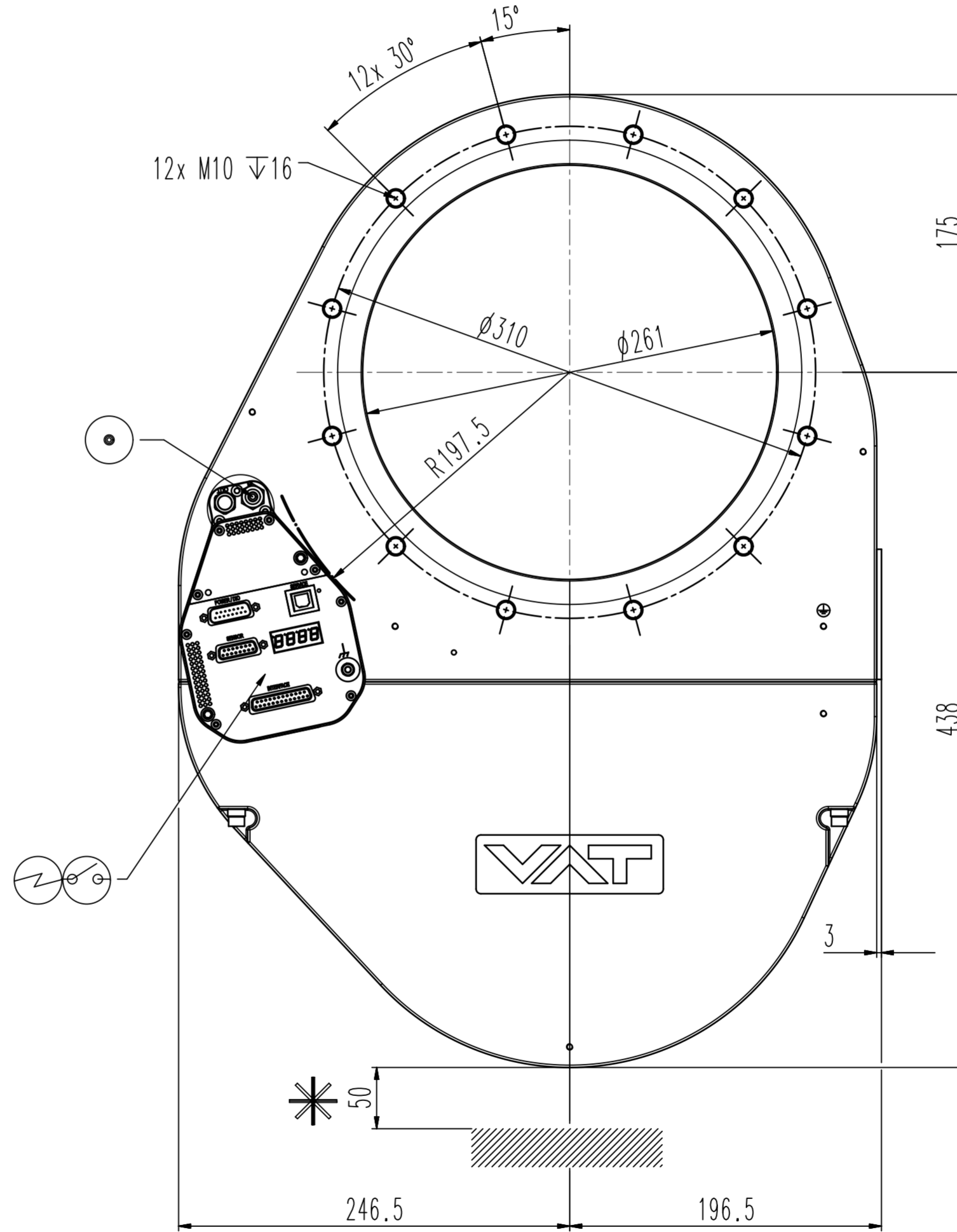
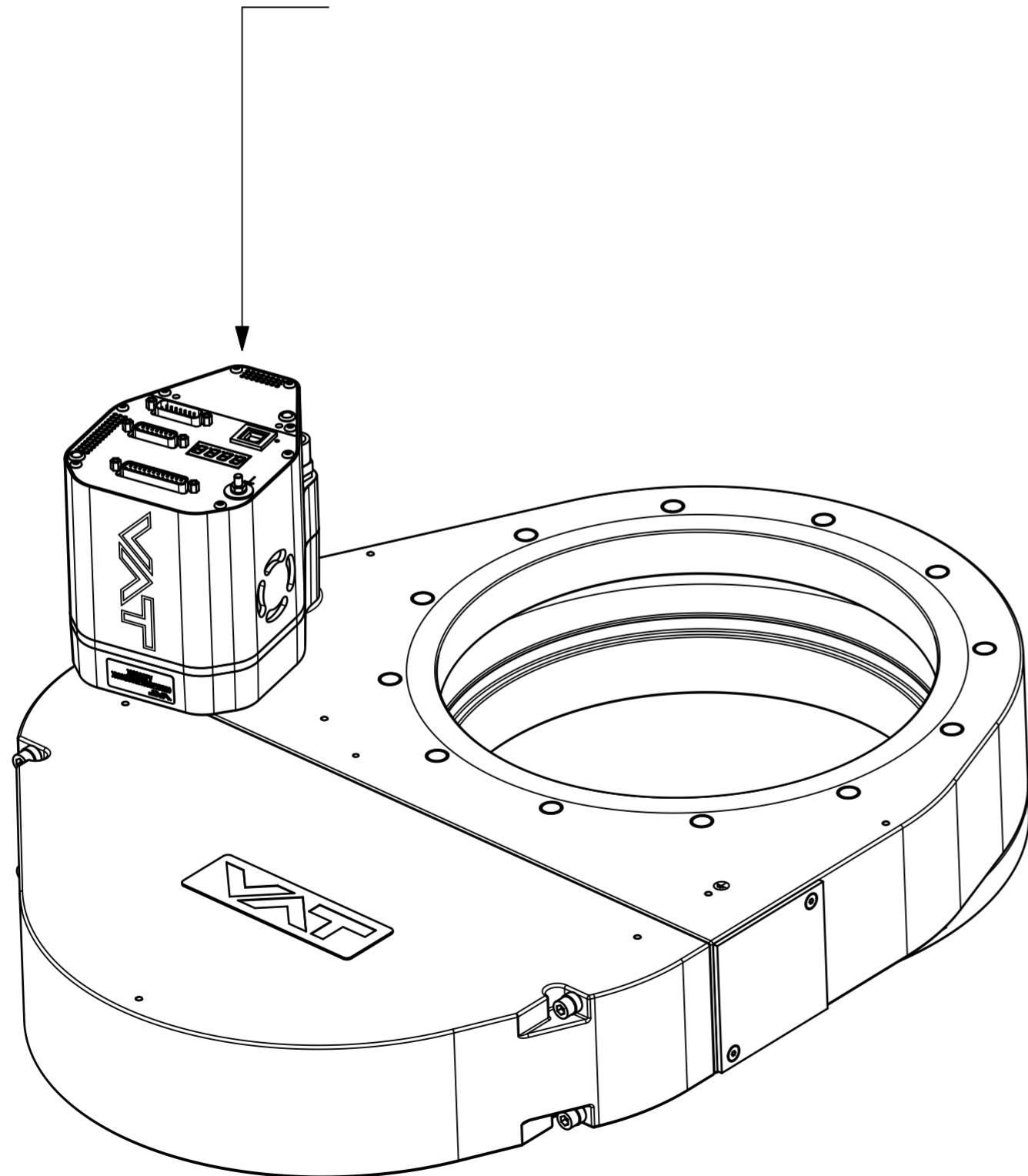
CC-Link



Profibus



Ether Net



Customer number
Revision

- ▼ Seat side
- ◐ Comp. air connection
- ◑ Electrical connection
- ◒ Leak detection port
- ◓ Mech. pos. indication
- ◔ Position indicator
- ◕ Required for dismantling
- ◖ Emergency actuation
- ◗ For attachment
- ◘ Bake-out area
- ◙ Differential pumping port

Control pendulum valve



Series	Ordering No.	ISO Std
853	ONLY	
Projection E	DN	Flange
250		
Dimensional Drawing	1297566	Rev. A

Rev. Date: 27.06.24
Visa: TANK