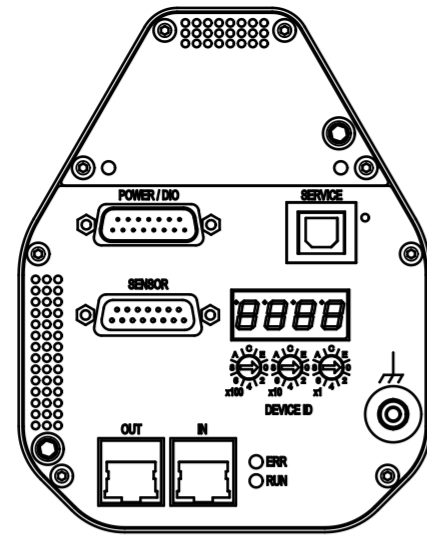
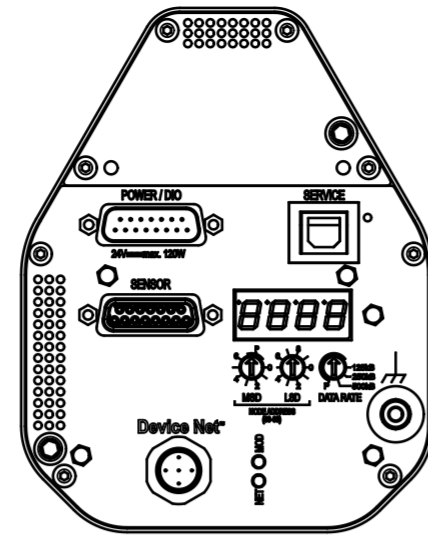


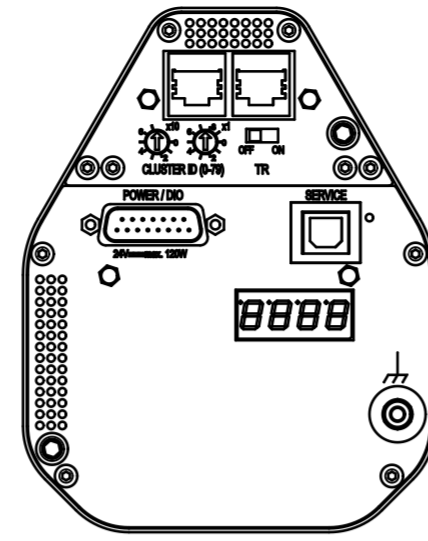
RS232 / RS485 / Logic



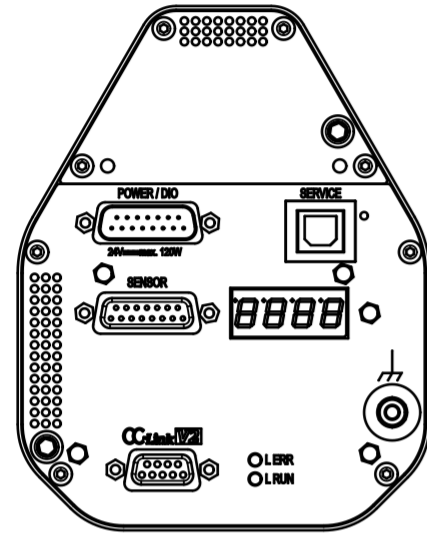
Ether CAT



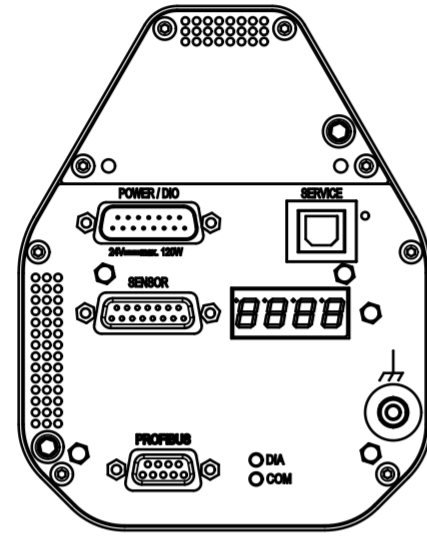
Device Net



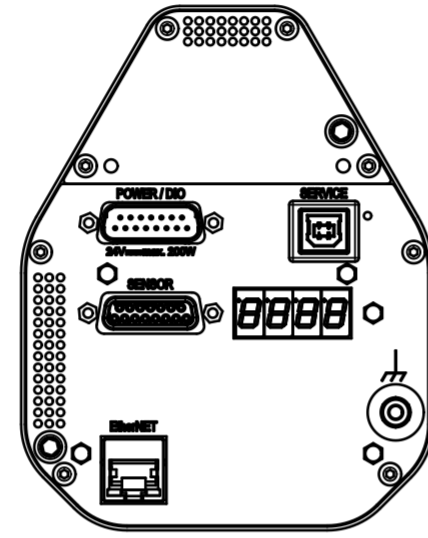
Valve Cluster Slave
(without interface)



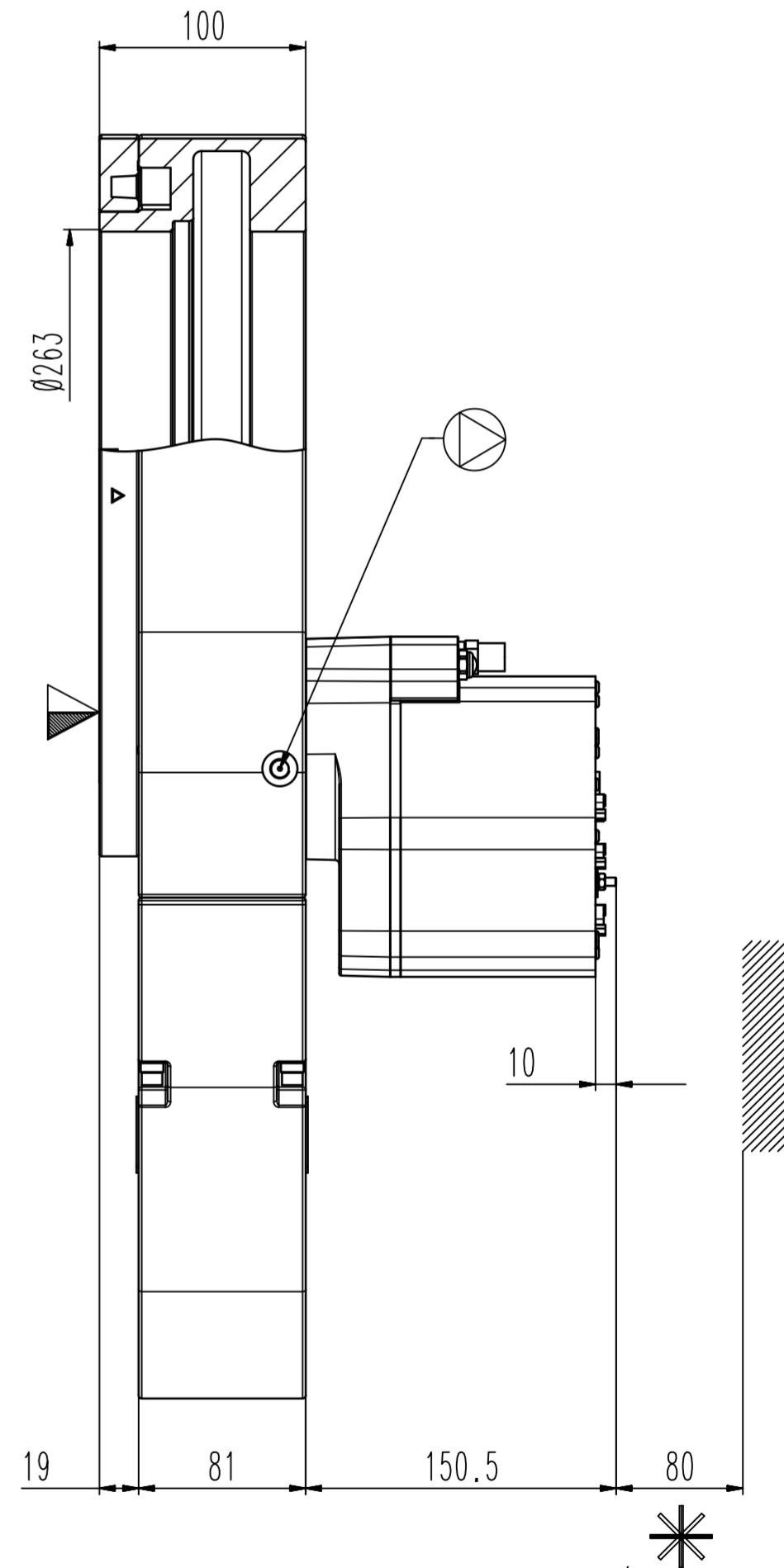
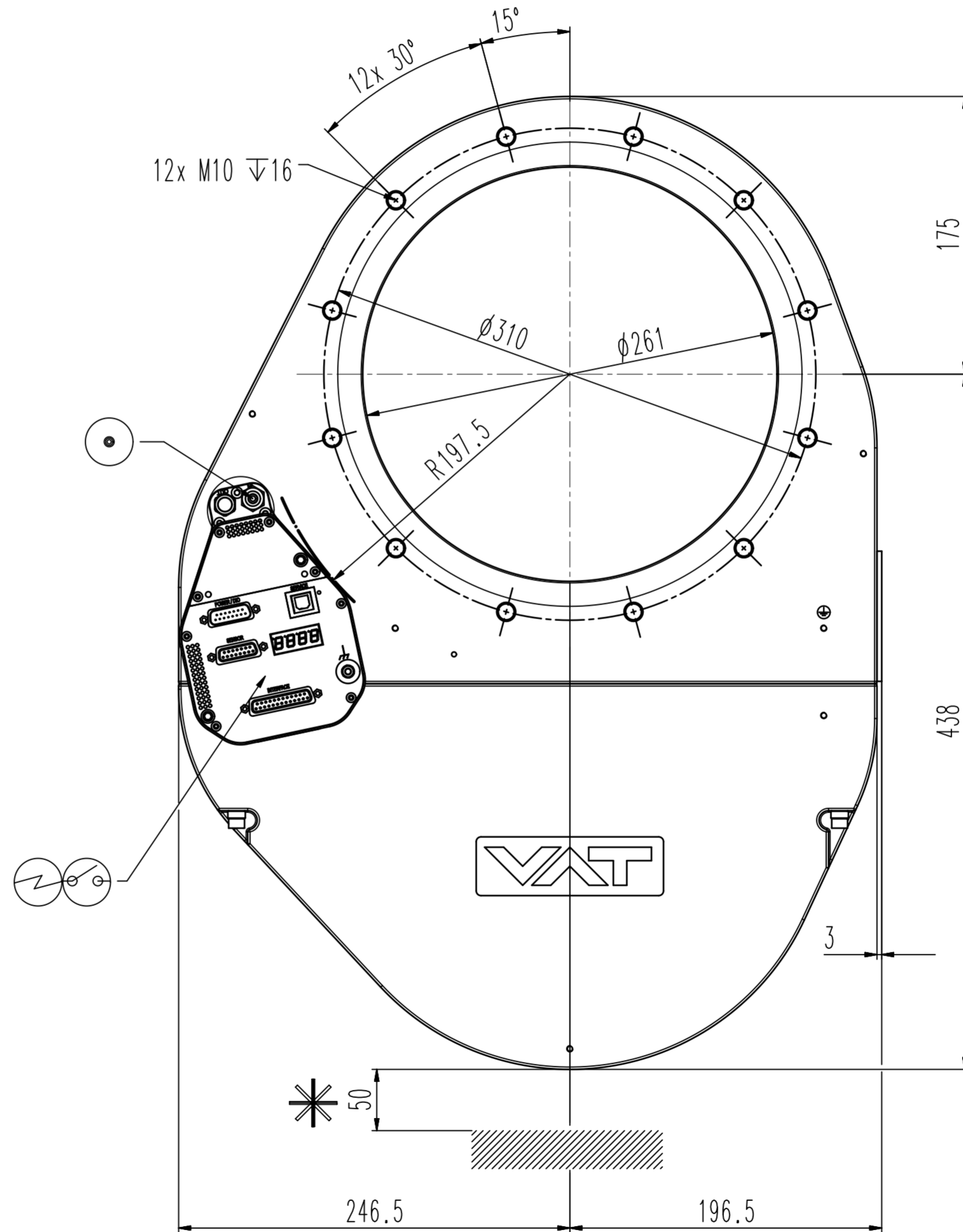
CC-Link



Profibus



Ether Net

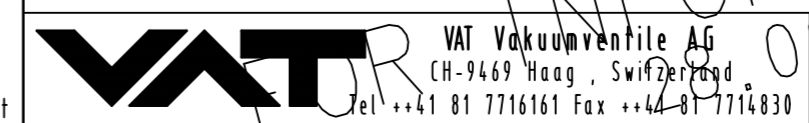


Customer number

Revision

- ▼ Seat side
- ⊙ Comp. air connection
- ⊙ Electrical connection
- ⊙ Leak detection port
- ⊙ Mech. pos. indication
- ⊙ Position indicator
- ⊙ Required for dismantling
- ⊙ Emergency actuation
- ⊙ For attachment
- ⊙ Bake-out area
- ⊙ Differential pumping port

Control pendulum valve



Series	Ordering No.	Rev.
053	ONLY	A
Projection E	DN	Flange
250		
Dimensional Drawing	1297566	