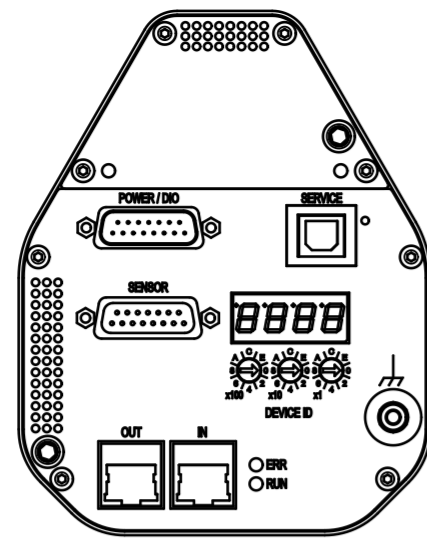
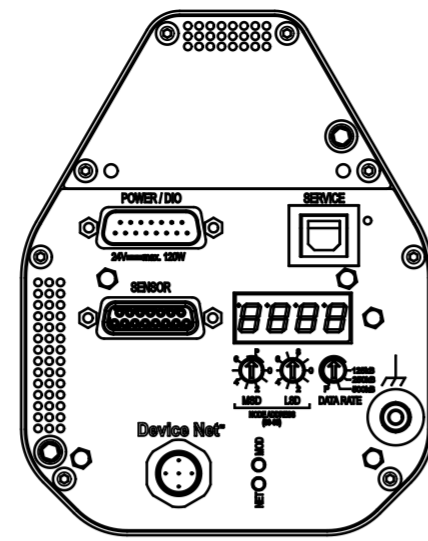


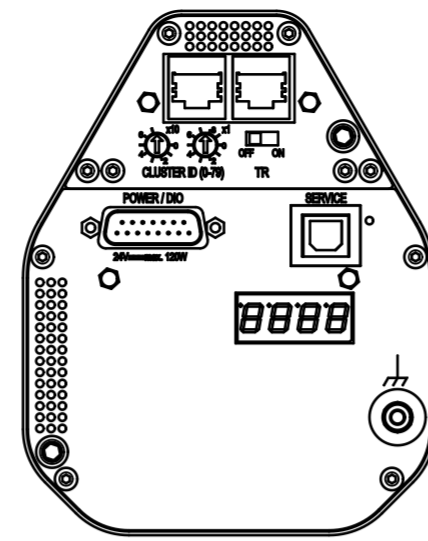
RS232 / RS485 / Logic



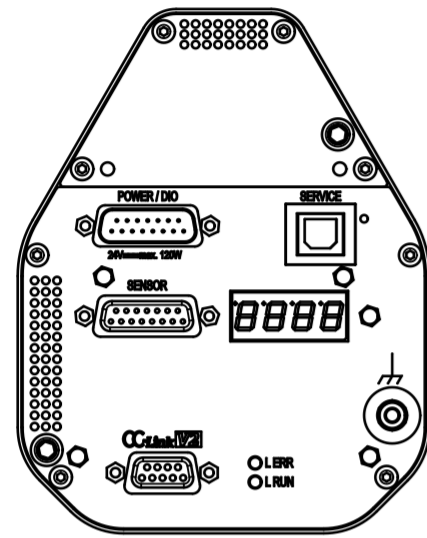
Ether CAT



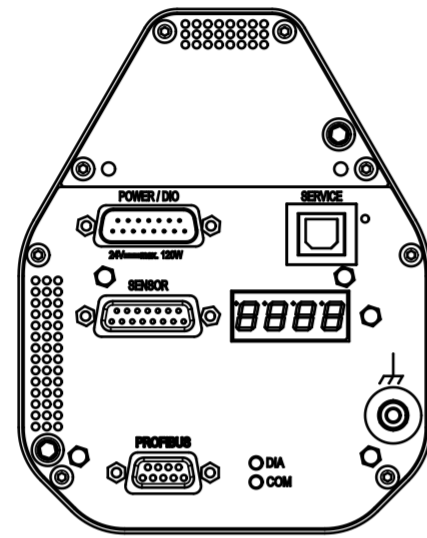
Device Net



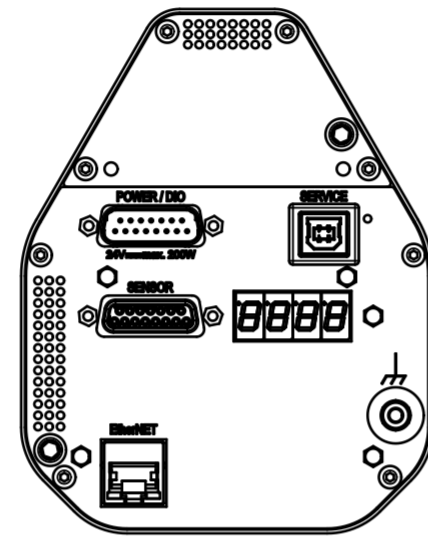
Valve Cluster Slave
(without interface)



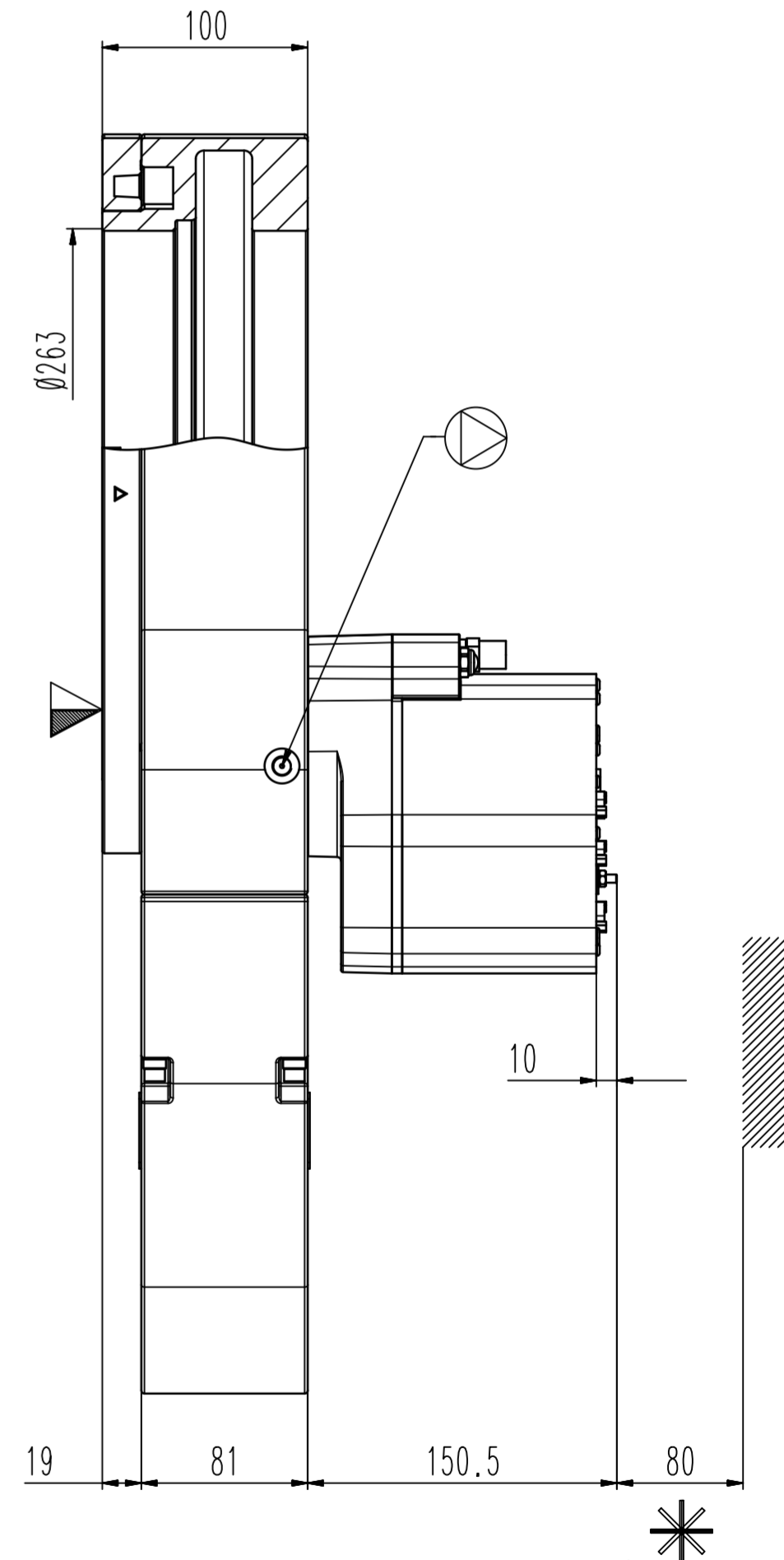
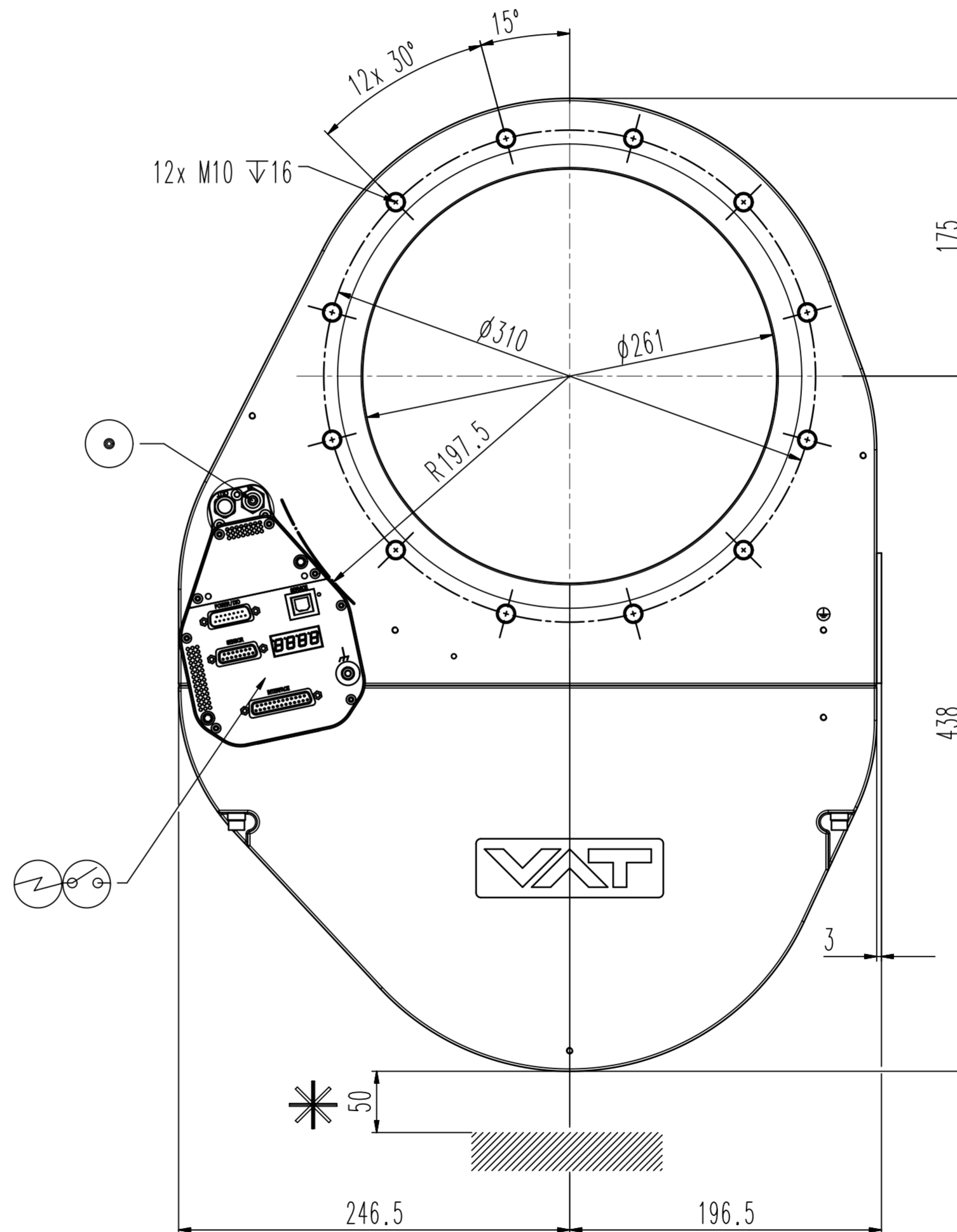
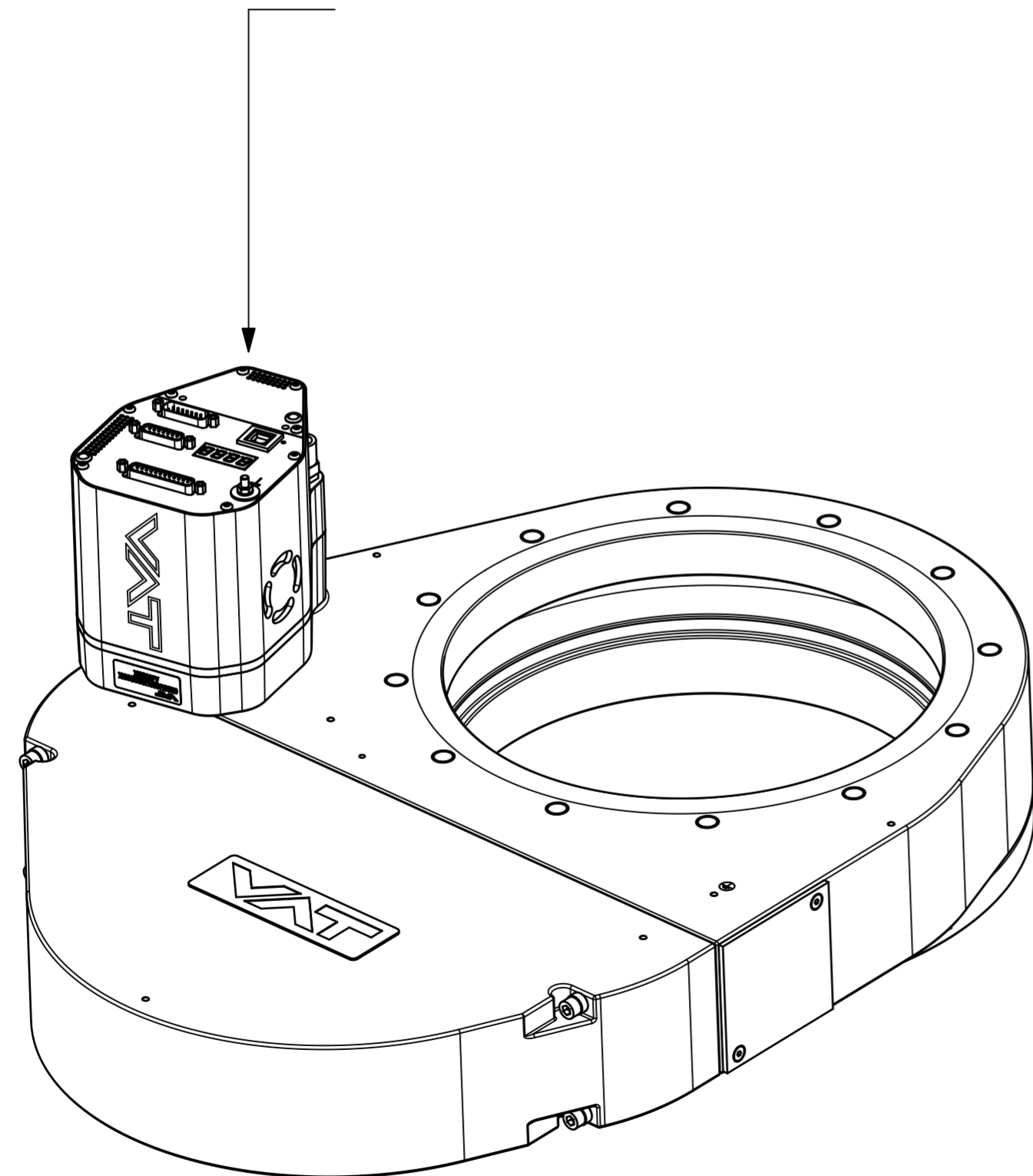
CC-Link



Profibus



Ether Net



Revision

Customer number

- ▼ Seat side
- ⊙ Comp. air connection
- ⊙ Electrical connection
- ⊙ Leak detection port
- ⊙ Mech. pos. indication
- ⊙ Position indicator
- ⊙ Required for dismantling
- ⊙ Emergency actuation
- ⊙ For attachment
- ⊙ Bake-out area
- ⊙ Differential pumping port

Control pendulum valve



VAT Vakuumventile AG
CH-9469 Haag, Switzerland
Tel: ++41 81 7716161 Fax: ++41 81 7716830

Rev. Date: 27.06.24
Visa: TANK

| | | |
|---------------------|--------------|--------|
| Series | Ordering No. | Rev. |
| 053 | ISO Std | A |
| Projection E | DN | Flange |
| 250 | | |
| Dimensional Drawing | 1297566 | |

INFORMATION ONLY