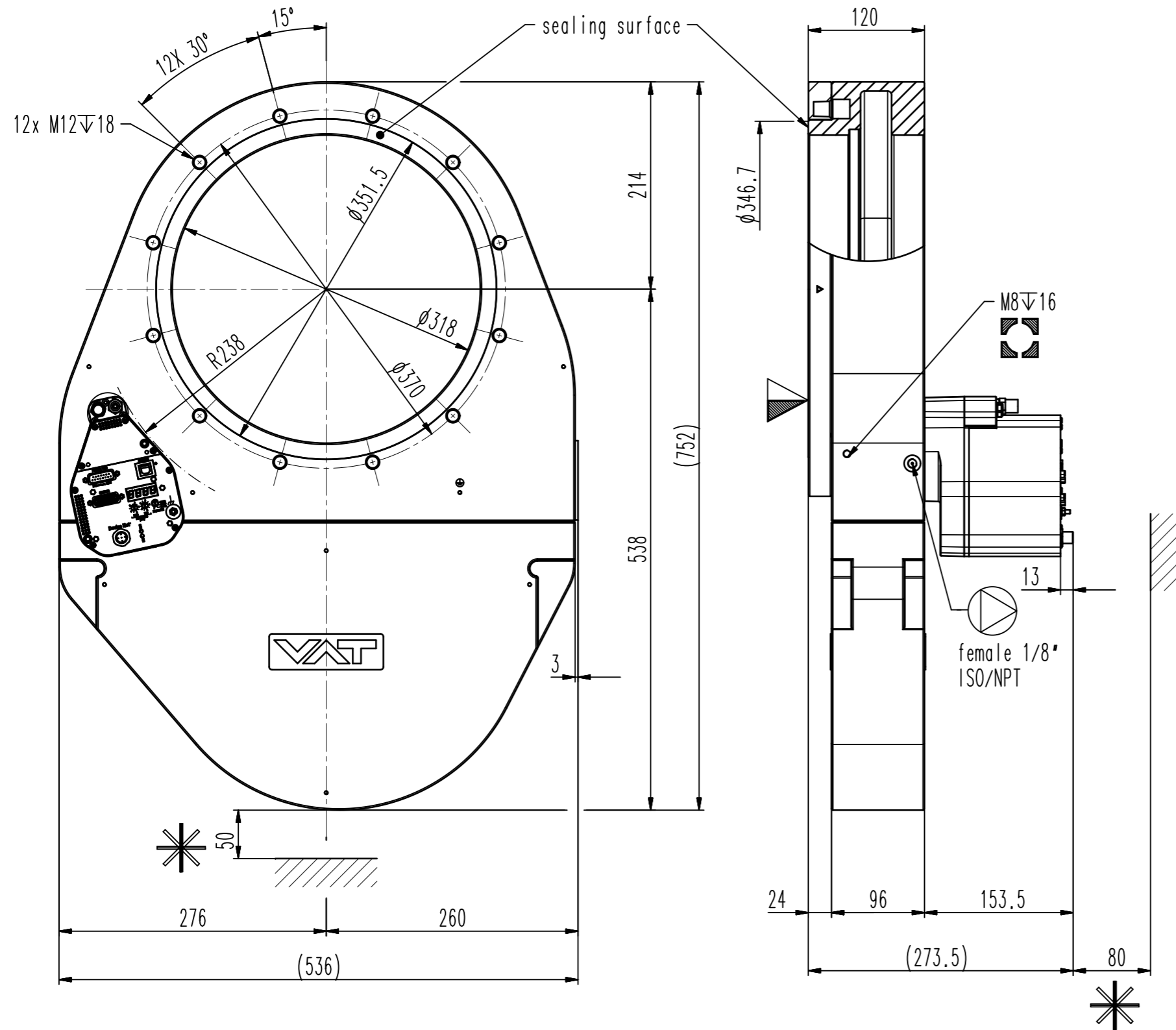


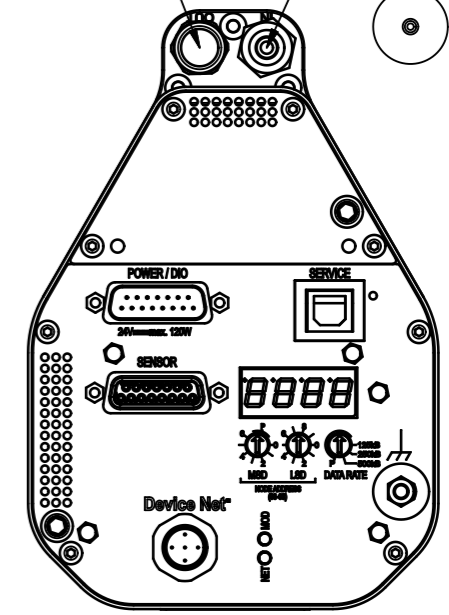
This drawing is the property of VAT.

Revision

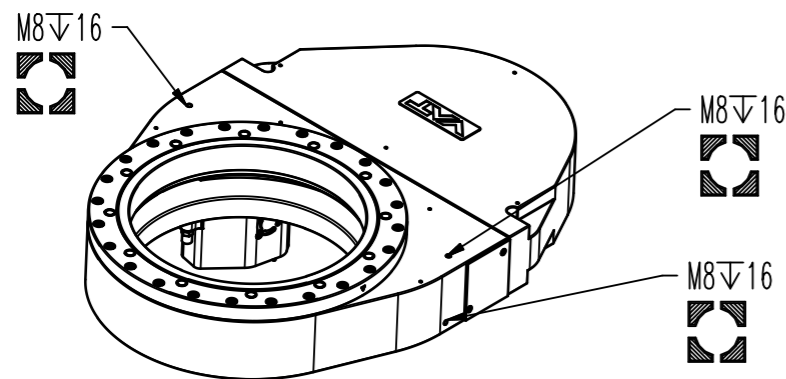
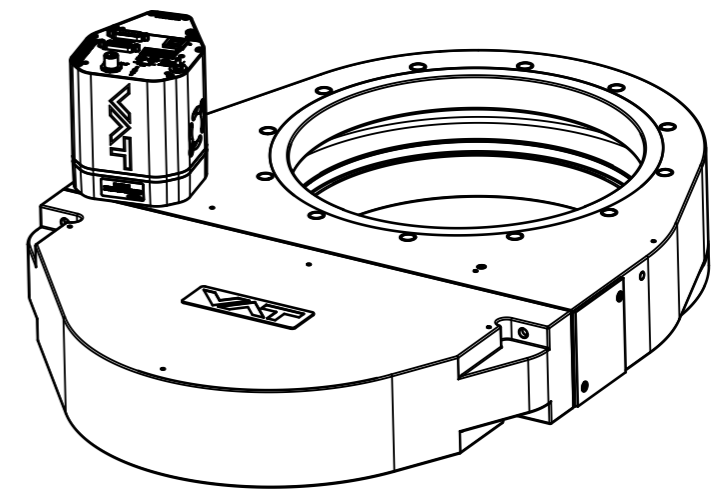
Customer number



silencer (out)
air filter
1/8" ISO/NPT
female (in)
4-7bar



Connectors		
	Description	Type
POWER / DIO	Power input / digital IO	D-SUB DA-15 (male)
SENSOR	Sensor input Sensor power supply	D-SUB DA-15 (female)
SERVICE	Service interface	USB type-B
INTERFACE	DeviceNet™ interface	M12 5-poles A-coded (male)



- ▼ Seat side
- ⊙ Comp. air connection
- ⊙ Electrical connection
- ⊙ Leak detection port
- ⊙ Mech. pos. indication
- ⊙ Position indicator
- ⊙ Required for dismantling
- ⊙ Emergency actuation
- ⊙ For attachment
- ⊙ Bake-out area
- ⊙ Differential pumping port

Control pendulum valve
UC-PFO / SPS / DeviceNet / 2 sensors



VAT Vakuumentile AG

CH-9469 Haag, Switzerland
Tel ++41 81 7716161 Fax ++41 81 7714830

Rev.-Date: 05.05.21

Visa: TANK

Series	653	Ordering No.	65350-JACQ-0001
Projection E	DN	Flange	JIS
Dimensional Drawing	320	Rev.	A
			980892