



VAT Vakuumventile AG  
CH-9469 Haag, Schweiz

## Product Data Sheet

**All-Metal Angle Valve, Series 57.1, DN 40 (ID 1½")**

**OSL Article No. 57132-GE08-0004**

### Description

Flange	DN40, CF-R
Actuator	manual, hexagon head SW 17, with position indicator
Feedthrough	bellows

### Technical data

Leak rate	
- To the outside	$\leq 1 \cdot 10^{-10} \text{ mbar ls}^{-1}$
- Seat	$\leq 1 \cdot 10^{-10} \text{ mbar ls}^{-1}$
Molecular flow conductance	$50 \text{ ls}^{-1}$
Pressure range	UHV to 5 bar (abs)
Test pressure	1 bar
Differential pressure on the gate	
- in closing and opening direction	$\leq 5 \text{ bar}$
Max. differential pressure at opening	
- in closing and opening direction	1 bar (> 1 bar at reduced cycle lifetime)
Cycles until first service	10'000
Bake-out temperature (incl. actuator)	
- Open	$\leq 150^\circ\text{C}$
- Closed	$\leq 150^\circ\text{C}$
- Position indicator	$\leq 80^\circ\text{C}$
Heating and cooling rate	$\leq 60^\circ\text{C h}^{-1}$
Material	
- Body, Mechanism (in contact with media)	1.4435/1.4404, AISI 316 L; 1.4435, AISI 316 L, ESU
- Bellows	1.4404, AISI 316 L
Seal	
- Bonnet, Plate	metal
Mounting position	any
Position indicator	
- 1 switch for «open» and 1 switch for «close»	
- Contact rating	$\leq 50 \text{ V AC / DC}; \leq 1.2 \text{ A}$
- 1 x 7 pole plug	
Radiation resistance	
- Valve	$10^8 \text{ Gy (} 10^{10} \text{ rad)}$
- Actuator	$10^8 \text{ Gy (} 10^{10} \text{ rad)}$
- Position indicator	$10^5 \text{ Gy (} 10^7 \text{ rad)}$
Turns per stroke	8
Weight	app. 2.8 kg / 6.2 lbs

Created by: M. Greuter	Release date: 08. March 2012	Page 1 of 2
Modified by::	Release date:	<b>293801EA</b>



VAT Vakuumventile AG  
CH-9469 Haag, Schweiz

## Product Data Sheet

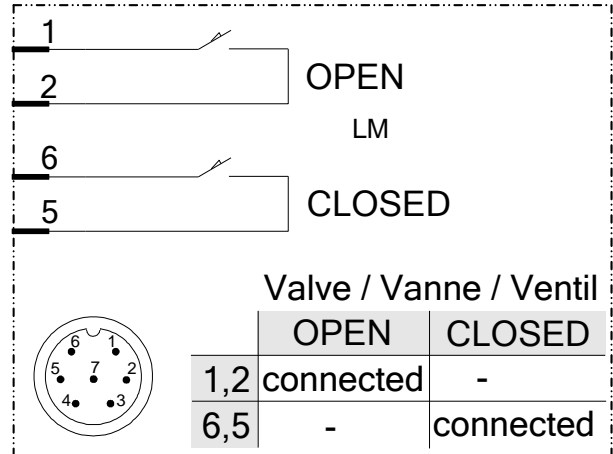
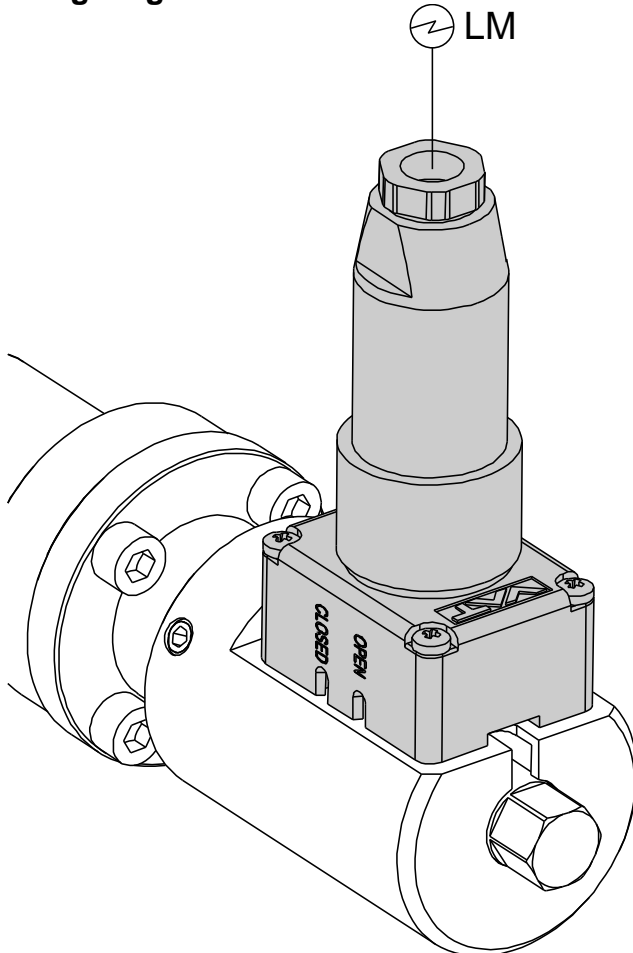
All-Metal Angle Valve, Series 57.1, DN 40 (ID 1½")

OSL Article No. 57132-GE08-0004

### Dimensions

Dimensional drawing No. 252800

### Wiring diagram



⊕ LM Electrical connection for position indicator

### Comments

The all-metal angle valves Series 57.1 are sealed with the patented VATRING sealing system (hard to hard). VAT Series 57.1 all-metal angle valves, with manual actuator, use a hexagon head for closing. The valve has not to be closed with a specific closing torque, it is closed to a mechanical stop. During the specified cycle life of 10'000 cycles no service is necessary.

Created by: M. Greuter	Release date: 08. March 2012	Page 2 of 2
Modified by::	Release date:	<b>293801EA</b>