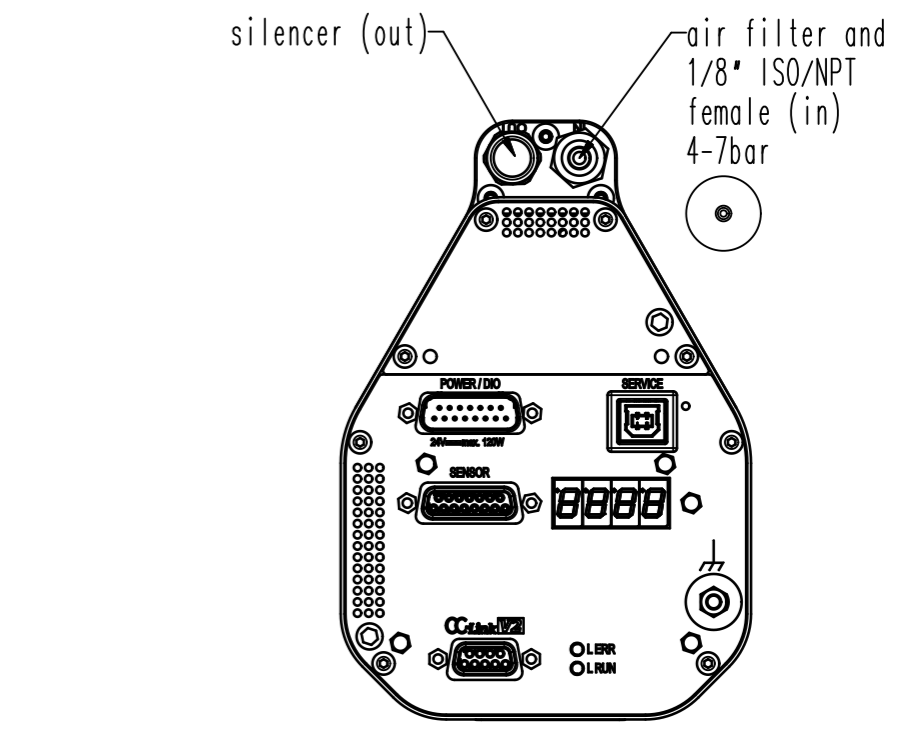
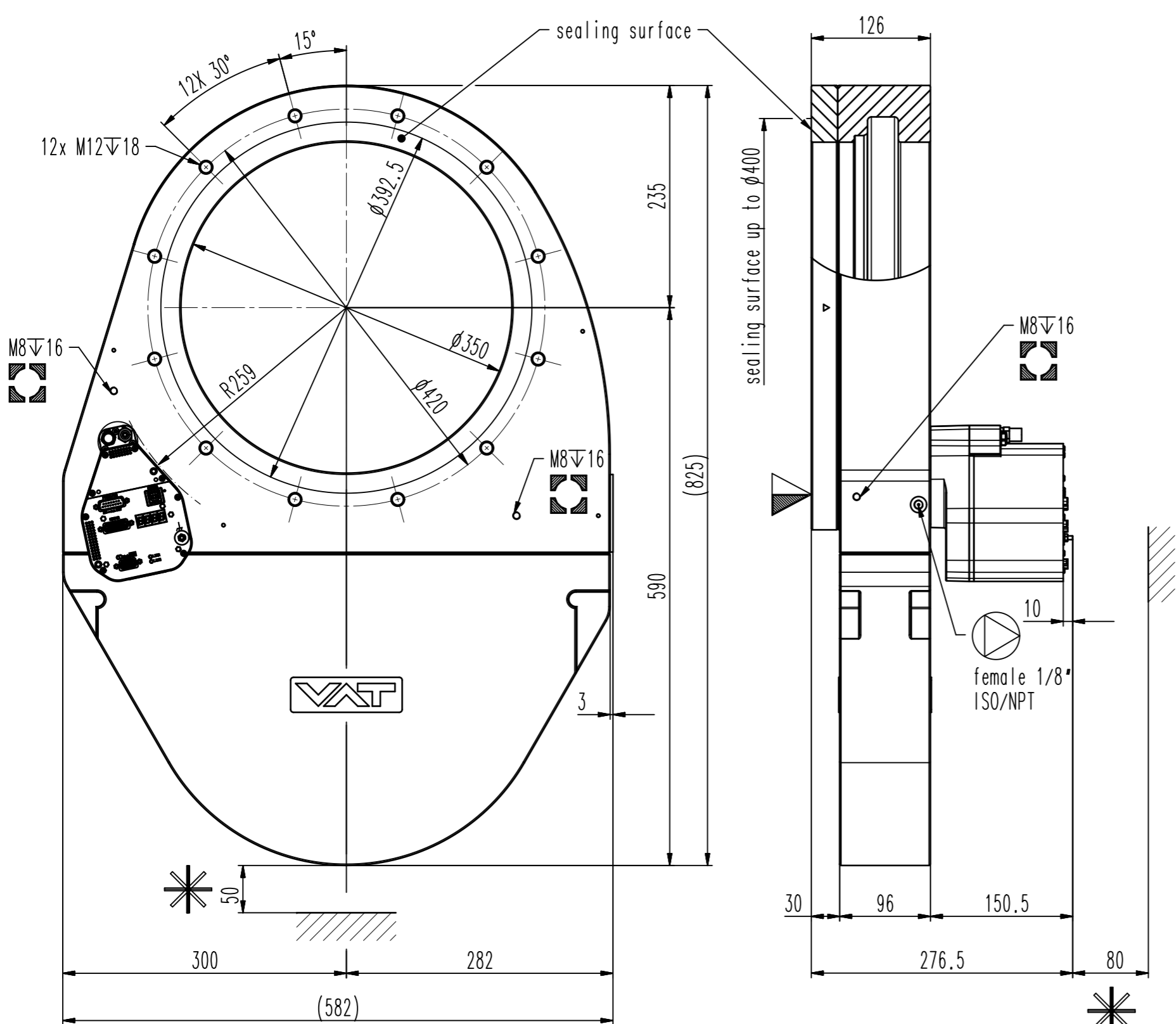


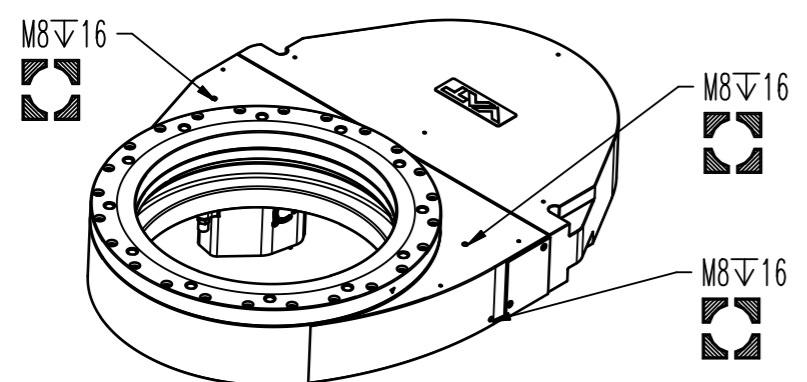
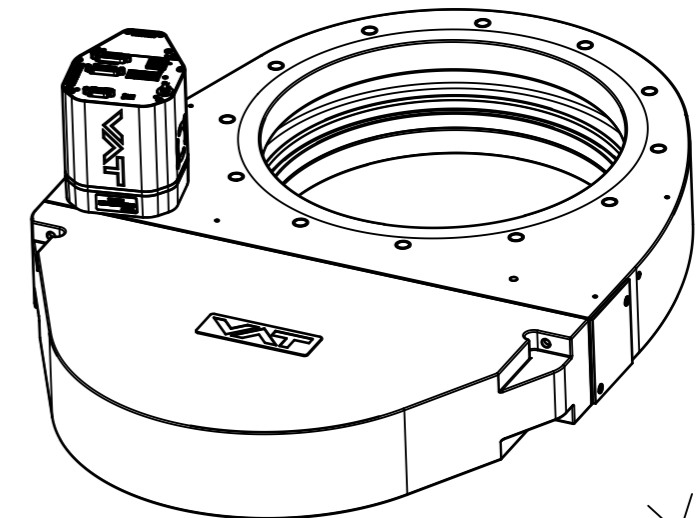
This drawing is the property of VAT.

Revision

Customer number



Connectors		
	Description	Type
POWER / DIO	Power input / digital IO	D-SUB DA-15 (male)
SENSOR	Sensor input Sensor power supply	D-SUB DA-15 (female)
SERVICE	Service interface	USB type-B
INTERFACE	CC-Link interface	D-SUB DE-9 (female)



- ▼ Seat side
- ⊙ Comp. air connection
- ⊙ Electrical connection
- ⊙ Leak detection port
- ⊙ Mech. pos. indication
- ⊙ Position indicator
- ⊙ Required for dismantling
- ⊙ Emergency actuation
- ⊙ For attachment
- ⊙ Bake-out area
- ⊙ Differential pumping port

Control pendulum valve  
UC-PFO / SPS / CC-Link / 2 sensors



Series	Ordering No.	Flange	Rev.
UC-PFO	65351-JACN-0001	JIS	
Projection E	DN		
	350		
Dimensional Drawing	997735		

INFORMATION ONLY  
Rev. Date: 24.09.19  
Visa: LIN