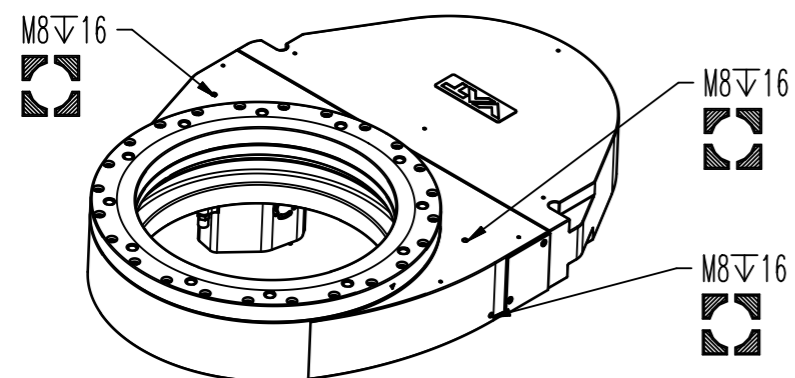
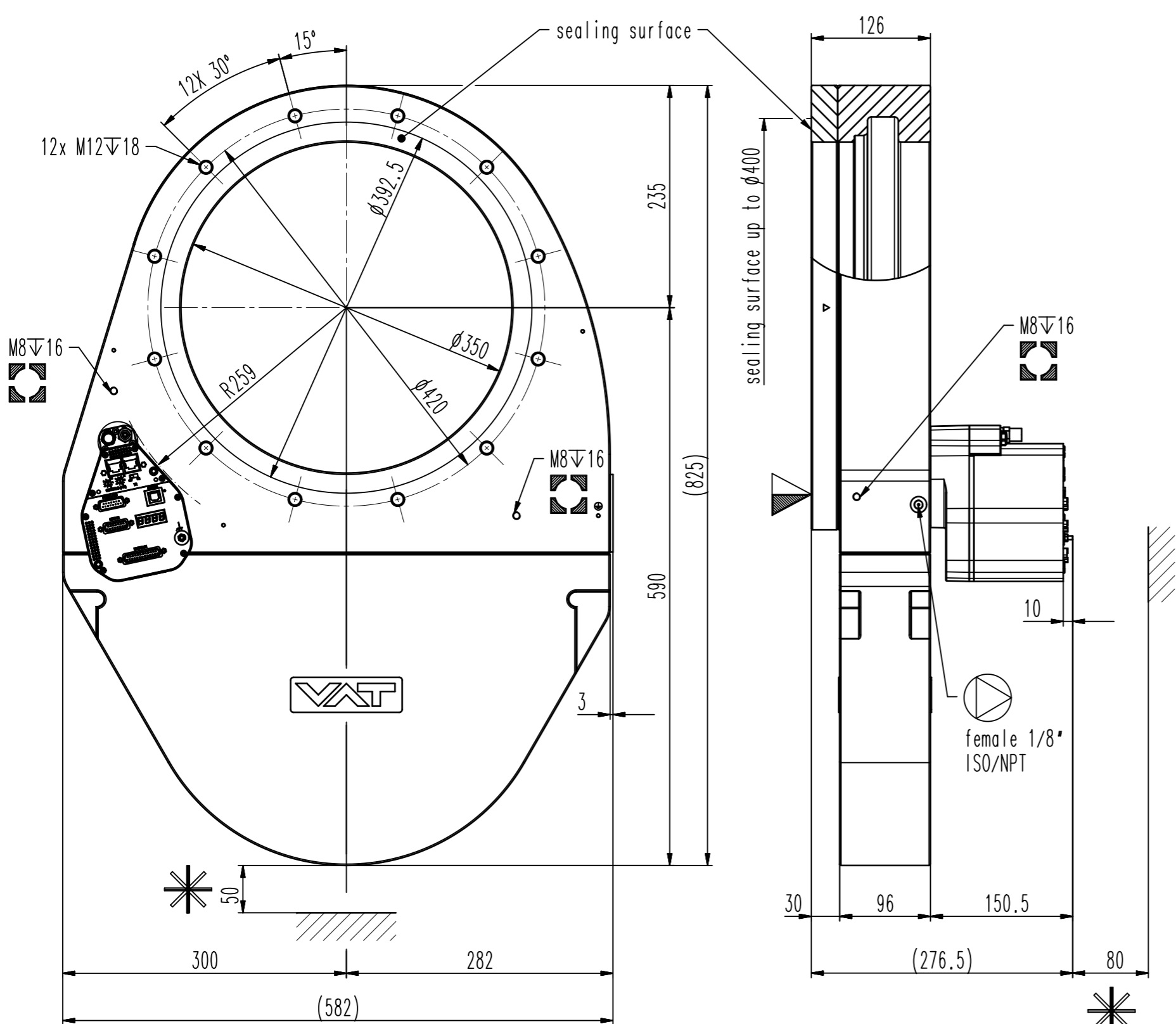


This drawing is the property of VAT.

Revision

Customer number



- ▼ Seat side
- Comp. air connection
- Electrical connection
- Leak detection port
- Mech. pos. indication
- Position indicator
- Required for dismantling
- Emergency actuation
- For attachment
- Bake-out area
- Differential pumping port

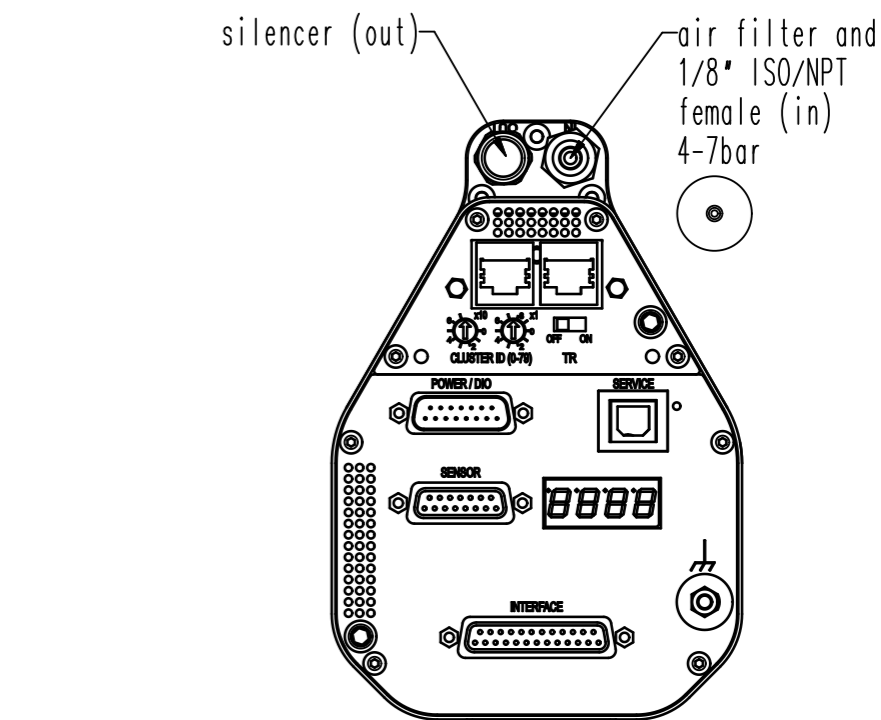
Control pendulum valve
UC-PFO / SPS / Cluster Master / logic interface / 2 sensors



VAT Vakuumentile AG
CH-9469 Haag, Switzerland
Tel ++41 81 7716161 Fax ++41 81 7714830

Rev.-Date: 23.04.21
Visa: SIMC

Series	653	Ordering No.	65351-JHWE-0001
Projection E	DN	Flange	JIS
Dimensional Drawing	350	Rev.	A
			973845



Connectors		
	Description	Type
POWER / DIO	Power input / digital IO	D-SUB DA-15 (male)
SENSOR	Sensor input Sensor power supply	D-SUB DA-15 (female)
INTERFACE	Logic Interface	D-SUB DB-25 (female)
SERVICE	Service interface	USB type-B
CLUSTER	Valve cluster connector	RJ-45 (female)

