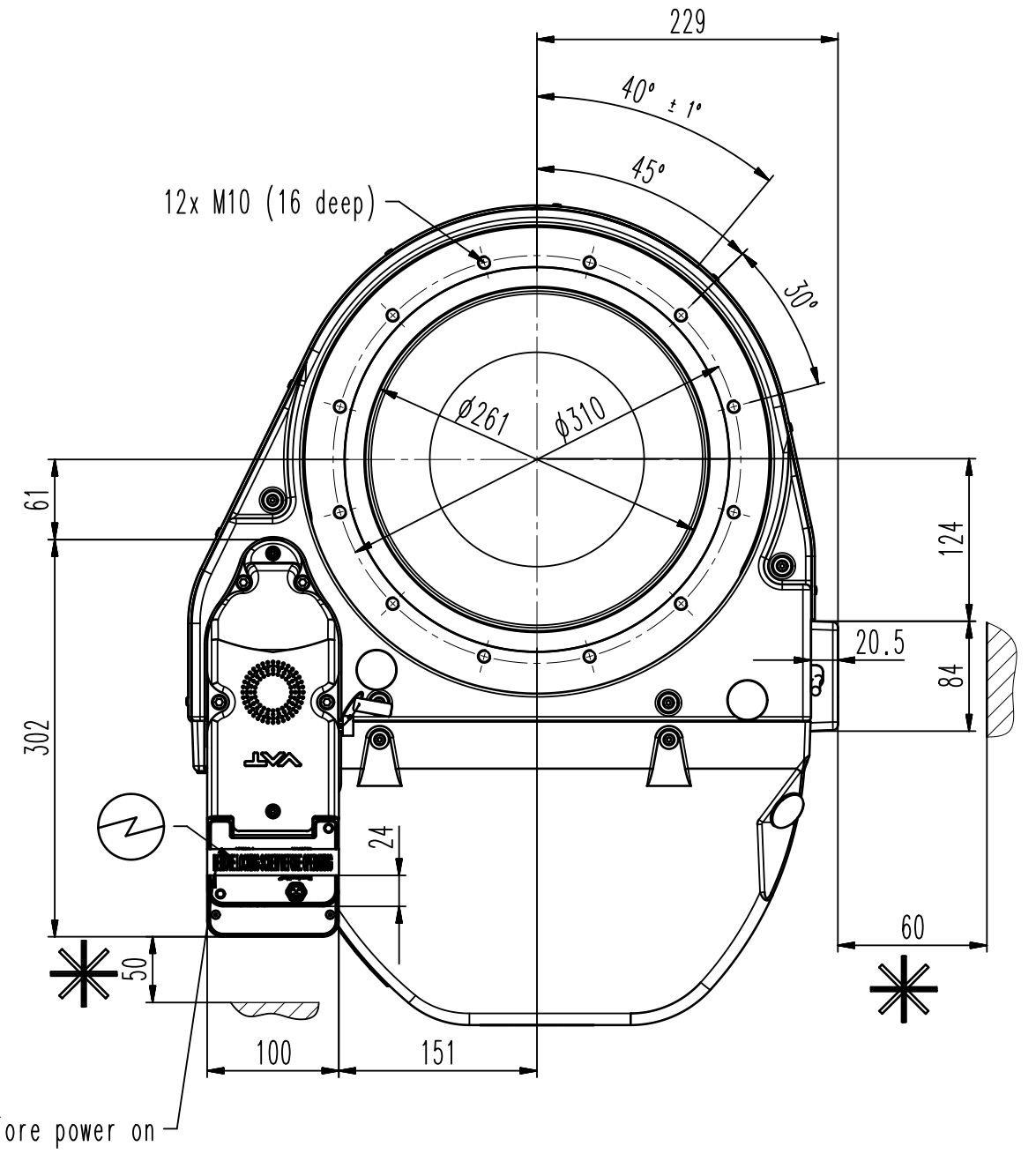
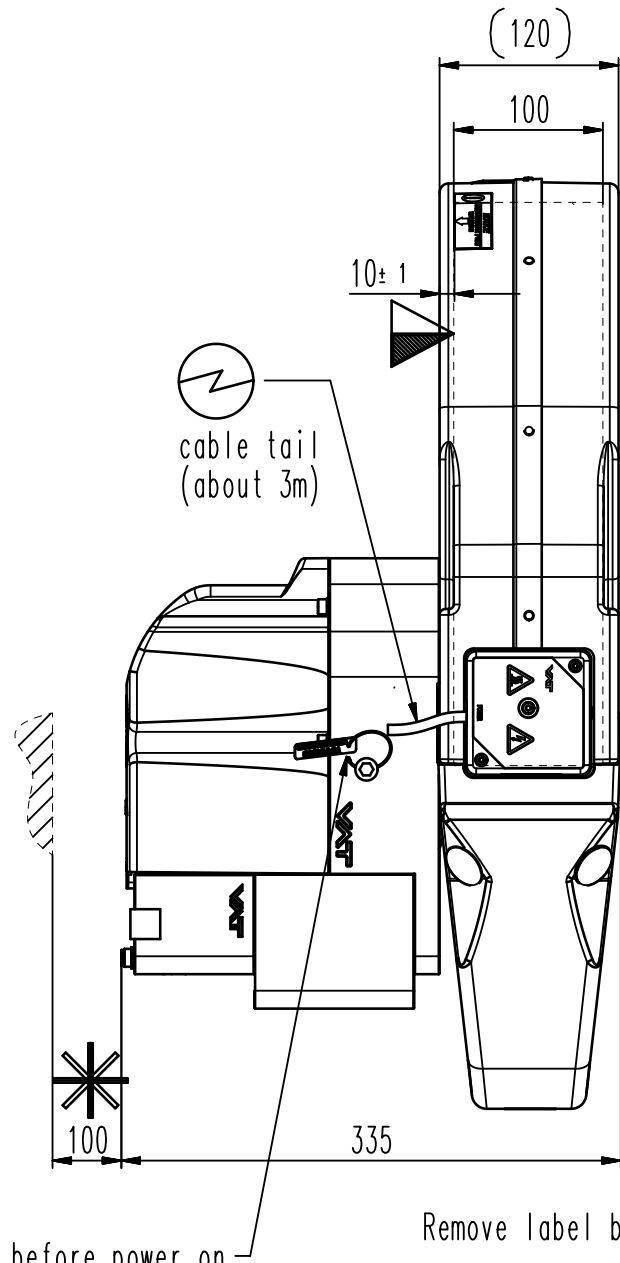
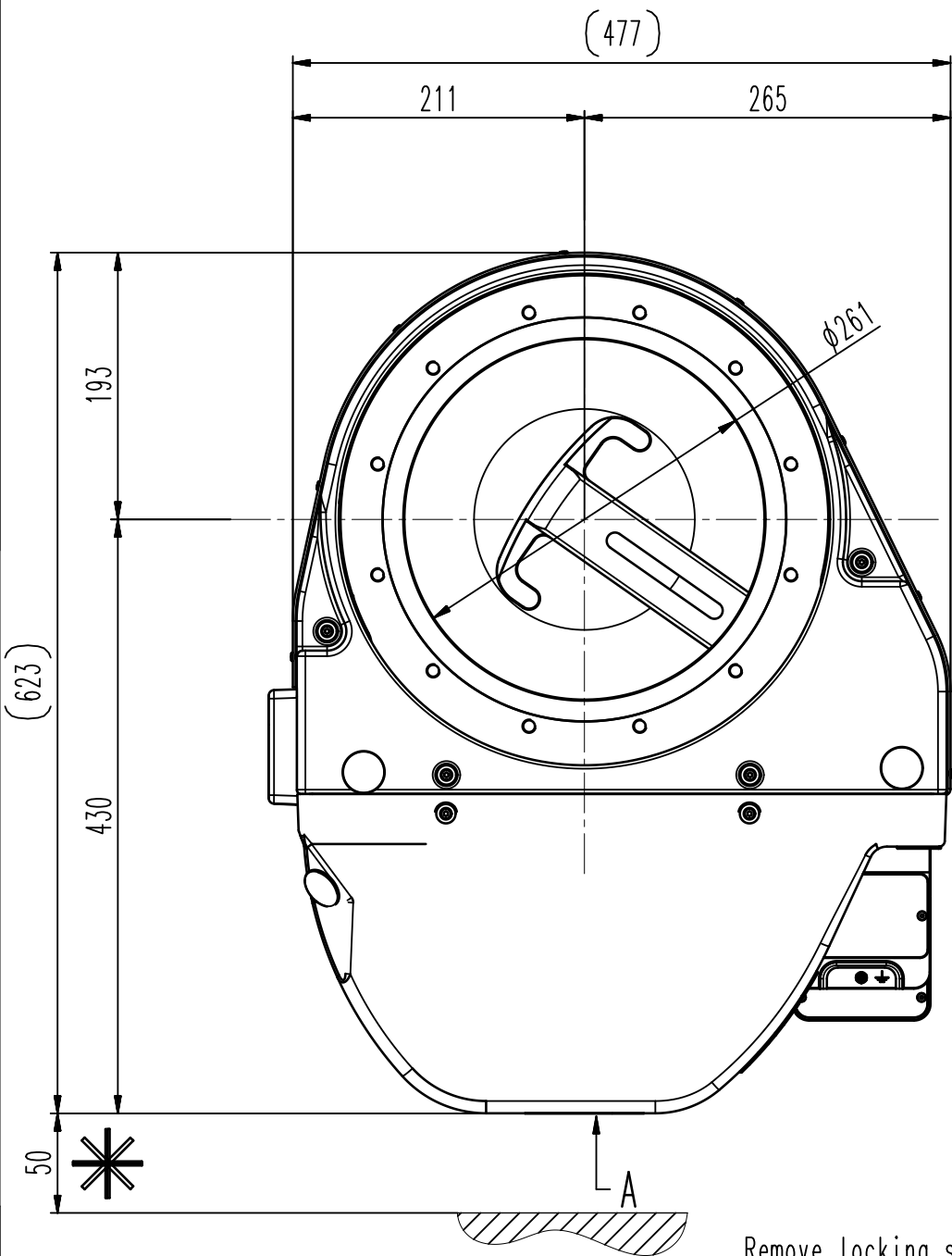


This drawing is the property of VAT.

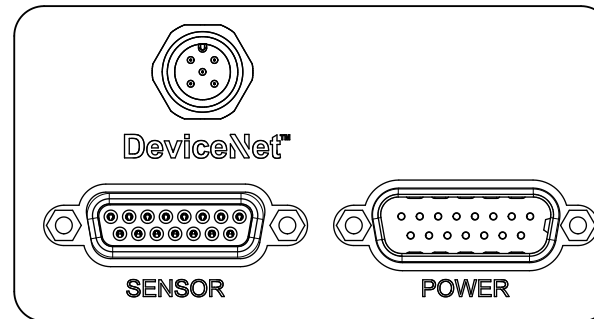
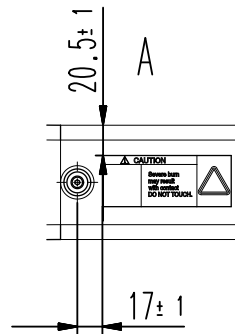
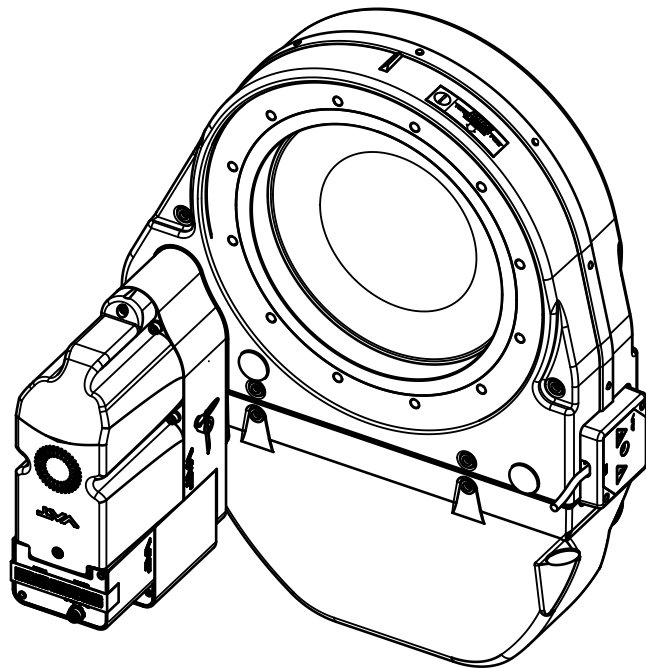
Revision

Customer number



Remove locking screw before power on

Remove label before power on



Connectors		
	Description	Type
POWER / DIO	Power input / digital IO	D-SUB DA-15 (male)
SENSOR	Sensor input Sensor power supply	D-SUB DA-15 (female)
SERVICE	Service interface	USB type-B
INTERFACE	DeviceNet™ interface	M12 5-poles A-coded (male)

- ▼ Seat side
- Comp. air connection
- ⊕ Electrical connection
- ⊖ Leak detection port
- ⊙ Mech. pos. indication
- ⊙ Position indicator
- ⊙ Required for dismantling
- ⊙ Emergency actuation
- ⊙ For attachment
- ⊙ Bake-out area
- ⊙ Differential pumping port

Control pendulum valve

UC-PFO / SPS / DeviceNet / 2 sensors
heater: PTC 80 °C; product: seal material vacuum side Kalrez 9500;



VAT Vakuumventile AG

CH-9469 Haag, Switzerland
Tel ++41 81 7716161 Fax ++41 81 7714830

Rev.-Date: 29.05.19

Visa: SSI

Series	655	Ordering No.	65548-PACQ-CH01
Projection E	DN	Flange	ISO-F
Dimensional Drawing	250	983273	Rev.