



VAT Vakuumventile AG
CH-9469 Haag, Schweiz

Product data sheet

Fast closing valve, Series 75.0, DN 63 (2 1/2'')

Ordering No. 75036-CE44-0004

Description

Flange	DN 63 CF-F
Actuator	Pneumatic double acting - with solenoid valves - with position indicator
Feed through	Bellows
Option	none

Technical data

Leak rate	- Valve body	$< 1 \cdot 10^{-10}$ mbar ls ⁻¹
	- Valve seat	$< 1 \cdot 10^{-9}$ mbar ls ⁻¹
Pressure range		UHV to 2 bar (abs)
Test pressure		1 bar
Differential pressure on the closed gate	- in closing direction	≤ 2 bar
	- in opening direction	≤ 1.2 bar
Differential pressure at opening	- in closing direction	≤ 600 mbar
	- in opening direction	≤ 1 bar
Conductance (molecular flow)		200 ls ⁻¹
Cycles until first service		2 000
Bake-out temperature (Maximum values: depending on operating conditions and sealing materials)	- Valve	≤ 200 °C (for max. 200h)
	- Actuator	≤ 50 °C
	- Solenoid valve	≤ 50 °C
	- Position indicator	≤ 50 °C
Heating and cooling rate		≤ 80 °C h ⁻¹
Material	- Valve body	1.4435, AISI 316 L
	- Flange	1.4435, AISI 316 L
	- Gate	Titanium
	- Bellows	1.4404/1.4435, AISI 316 L
Seal	- Bonnet	metal, silver plated
	- Gate	FKM
	- Actuator	NBR, PTFE/NBR
Mounting position		Any, marked seat side against the air inrush direction
Radiation resistance	- Body/Gate	10 ⁵ Gy (10 ⁷ rad)
	- Actuator	10 ⁴ Gy (10 ⁶ rad)
	- Position indicator	10 ⁵ Gy (10 ⁷ rad)
	- Solenoid	10 ⁴ Gy (10 ⁶ rad)

Created by: Daniel Brandner	Release date: 2009-10-01	1 of 2
Modified by: René Brulc	Release date: 2014-12-04	280806EC



VAT Vakuumventile AG
CH-9469 Haag, Schweiz

Product data sheet

Fast closing valve, Series 75.0, DN 63 (2 1/2")

Ordering No. 75036-CE44-0004

Volume of pneumatic actuator		3 l / 0.11 ft ³
Compressed air min. – max. overpressure		5 - 8 bar / 73 - 116 psig
Compressed air connections		R 1/8" (USA: 1/8" NPT)
Actuation time	– Closing	≤ 13 ms
	– Opening	≤ 7 s
Weight		25 kg / 55 lbs
Behavior in case of compressed air pressure drop	– Valve closed	Valve remains in closed position
	– Valve open	Valve remains in open position
Behavior in case of power failure	– Valve closed	Valve remains in closed position *
	– Valve open	Valve remains in open position *

* depends on fast valve controller settings

Related documents

Dimensional drawing No. 415329

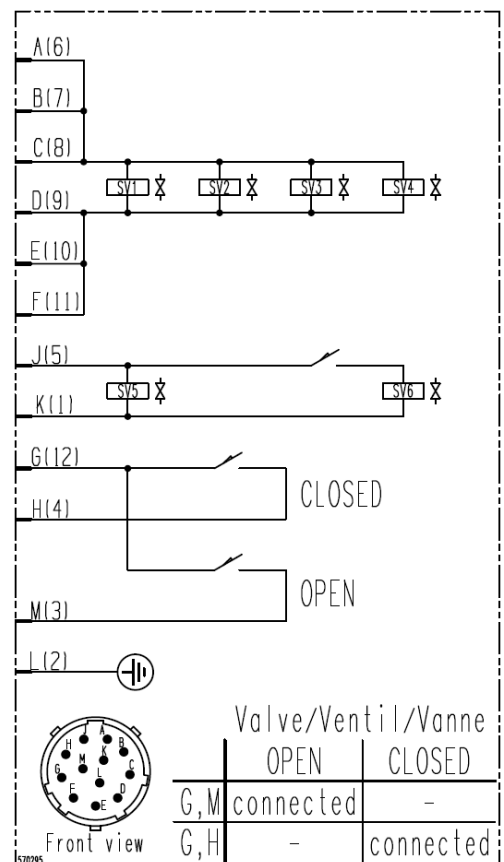
Electrical connections

Position indicator

Type	micro switch
Voltage	≤ 50 V AC / DC
Current max.	≤ 1.2 A

Solenoid

Voltage	≤ 24 V DC
Power consumption max.	≤ 30 W



Wiring diagram