



VAT Vakuumentile AG
CH-9469 Haag, Schweiz

Product data sheet

Fast Closing Valve, Series 75.2, DN 40 (ID 1½")

Ordering No. 75232-CE44-0006

Description

Flange	CF-F 40
Actuator	Pneumatic actuator double acting, electro-magnetically released with position indicator with solenoid valve
Feedthrough	bellows

Technical data

Leak rate	
- To the outside	$< 1 \cdot 10^{-10}$ mbar ls ⁻¹
- Seat	$< 1 \cdot 10^{-9}$ mbar ls ⁻¹ (air, 1 bar)
Molecular flow conductance	app. 160 ls ⁻¹
Pressure range	UHV to 2 bar (abs)
Differential pressure on the gate	
- in closing direction	≤ 1.2 bar
- in opening direction	≤ 1.2 bar
Max. differential pressure at opening	
- in closing direction	≤ 30 mbar
- in opening direction	≤ 30 mbar
Cycles until first service	2 000
Bake-out temperature	
- Valve	$\leq 200^{\circ}\text{C}$
- Actuator	$\leq 50^{\circ}\text{C}$
- Solenoid	$\leq 50^{\circ}\text{C}$
- Position indicator	$\leq 50^{\circ}\text{C}$
Heating and cooling rate	$\leq 80^{\circ}\text{C h}^{-1}$
Material	
- Body, mechanism (vacuum side)	1.4301, AISI 304
- Flange	1.4301, AISI 304
- Bellows	1.4435, AISI 316L
Seal	
- Bonnet	metal
- Gate	Viton [®]
- Actuator	Viton [®]
Mounting position	any, marked seat side against the air inrush direction
Solenoid	
- Supply voltage	24V / DC
Position indicator	
- Contact rating	≤ 50 V AC / DC; ≤ 1.2 A
Electric connection to the controller	
- 12 pole plug	

Created by: Kurt Sonderegger	Release date: 10.09.2010	Page 1 of 3
Modified by: René Brulc	Release date: 07.11.2013	285825EC



VAT Vakuumventile AG
CH-9469 Haag, Schweiz

Product data sheet

Fast Closing Valve, Series 75.2, DN 40 (ID 1½")

Ordering No. 75232-CE44-0006

Radiation resistance

- Plate seal 10⁵ Gy (10⁸ rad)
- Actuator 10⁴ Gy (10⁷ rad)
- Position indicator 10⁵ Gy (10⁷ rad)

Compressed air pressure min. - max. 4 - 5 bar / 55 - 70 psig

Volume of air cylinder 0.36 l / 0.013 ft³

Compressed air connection R 1/8"

Action at power failure

- fast valve closed no change depending on setting of fast valve controller
- fast valve open no change or valve closes depending on setting of fast valve controller

Action at compressed air failure

- fast valve closed valve doesn't stay leaktight (opens slightly, can't be opened until compressed air is available again)
- fast valve open no change (valve stays open and can't be closed)

Closing time app. < 10 ms

Opening time app. 9 s

Weight app. 2 kg / 4.5 lbs

Dimensions

Dimensional drawing No. 369279

Created by: Kurt Sonderegger	Release date: 10.09.2010	Page 2 of 3
Modified by: René Brulc	Release date: 07.11.2013	285825EC



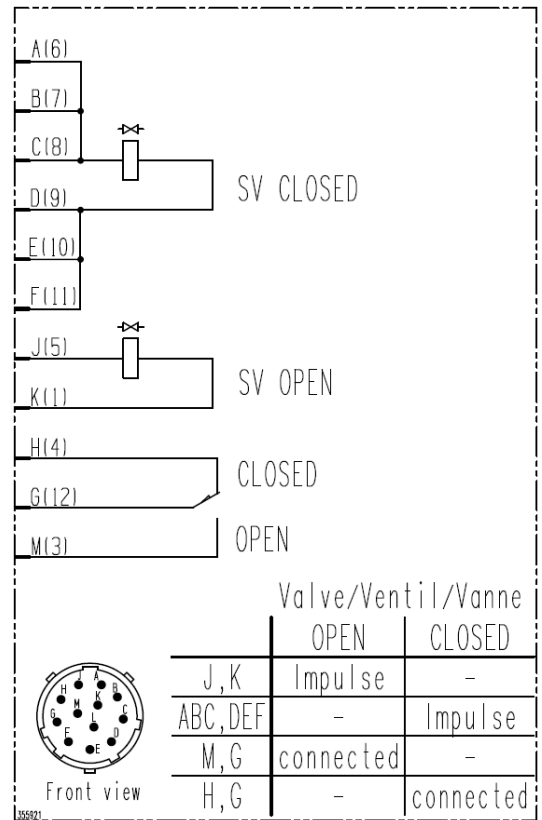
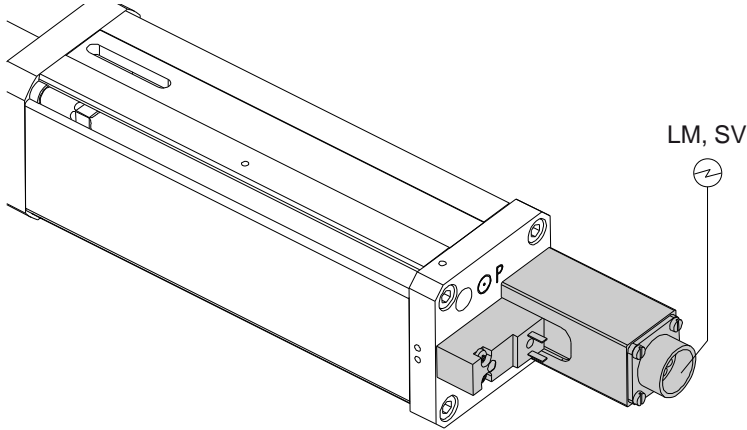
VAT Vakuumventile AG
CH-9469 Haag, Schweiz

Product data sheet

Fast Closing Valve, Series 75.2, DN 40 (ID 1½")

Ordering No. 75232-CE44-0006

Wiring diagram



⊖ SV, LM Electrical connection to the controller

Created by: Kurt Sonderegger	Release date: 10.09.2010	Page 3 of 3
Modified by: René Brulc	Release date: 07.11.2013	285825EC