



VAT Vakuumventile AG  
CH-9469 Haag, Schweiz

## Product data sheet

**Fast closing shutter, Series 77.3, DN 40 (ID 1 1/2")**

**Ordering No. 77332-CE44-0007**

### Description

Flange	DN 40 CF-F
Actuator	Pneumatic actuator double acting, electro-magnetically released with position indicator with solenoid valve
Feedthrough	bellows

### Technical data

Leak rate	
- To the outside	$< 1 \cdot 10^{-10} \text{ mbar ls}^{-1}$
- Seat	$< 1 \text{ mbar ls}^{-1}$
Molecular flow conductance	$110 \text{ ls}^{-1}$
Pressure range	UHV to 1.2 bar (abs)
Test pressure	1 bar
Differential pressure on the gate	
- shutter closed, either direction	$\leq 1.2 \text{ bar}$
Max. differential pressure at opening	
- in closing and opening direction	$\leq 300 \text{ mbar}$
Cycles until first service	5'000 at 5 bar compressed air pressure
Bake-out temperature	
- Valve	$\leq 300^\circ \text{ C}$
- Actuator	$\leq 50^\circ \text{ C}$
Heating and cooling rate	$\leq 50^\circ \text{ C h}^{-1}$
Material	
- Body	1.4435; AISI 316 L
- plate	1.4404, silver coated
- Bellows	AM 350
Seal	
- Bonnet	metal
- Gate	metal
- Actuator	Viton <sup>®</sup>
Radiation resistance	
- Valve	$10^8 \text{ Gy (} 10^{10} \text{ rad)}$
- Actuator	$10^4 \text{ Gy (} 10^6 \text{ rad)}$
Mounting position	any, but shutter side marked with ▼ in opposite direction of air inrush
Compressed air pressure min. - max.	4 - 6 bar / 55 - 85 psig (overpressure)
Volume of air cylinder	0.36 l / 0.013 ft <sup>3</sup>
Compressed air connection	R 1/8" (USA: 1/8" NPT)
Position indicator	
- Contact rating	$\leq 50 \text{ V AC / DC; } \leq 1.2 \text{ A}$
Electrical connection to controller	12 pole plug

Created by: Martin Greuter	Release date: 12. January 2012	Page 1 of 2
Modified by: René Brulc	Release date: 09. November 2012	<b>293156EB</b>



VAT Vakuumventile AG  
CH-9469 Haag, Schweiz

## Product data sheet

**Fast closing shutter, Series 77.3, DN 40 (ID 1 1/2")**

**Ordering No. 77332-CE44-0007**

### Action at power failure

- Valve closed
- Valve open

according to control setting  
according to control setting

### Action at compressed air failure

- Valve closed
- Valve open

undefined plate position  
no change

### Closing time

< 10 ms

### Opening time

9 s

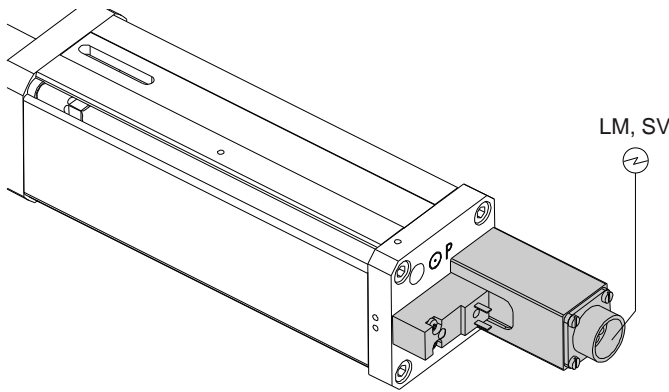
### Weight

app. 8.1 kg / 18 lbs

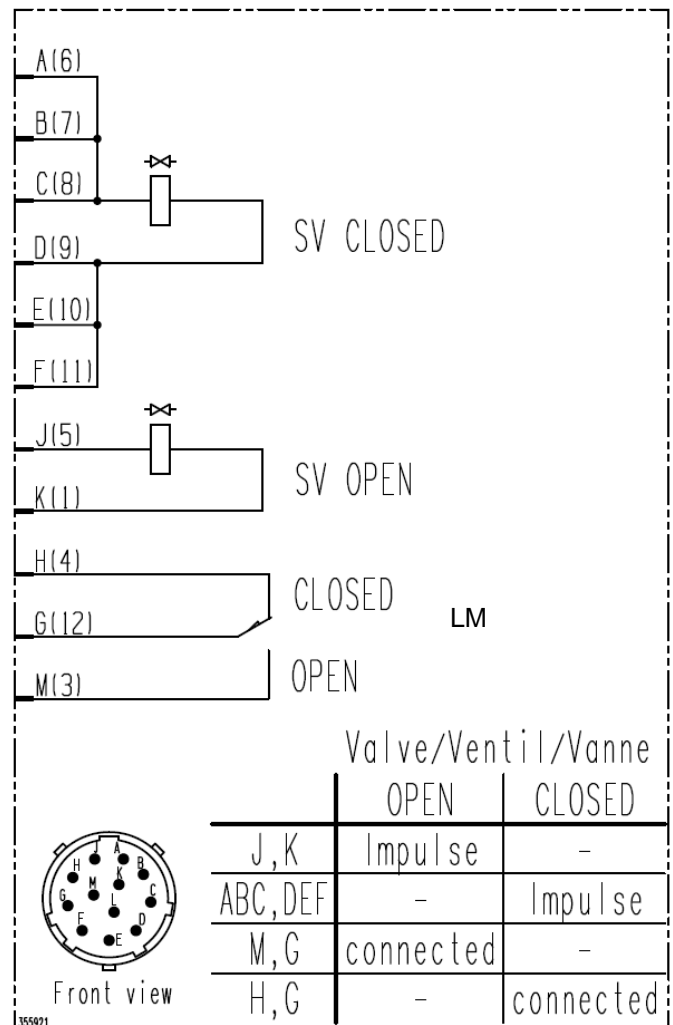
## Dimensions

Dimensional drawing No. 522626

## Wiring Diagram



⊖ SV, LM Electrical connection to the controller



Created by: Martin Greuter	Release date: 12. January 2012	Page 2 of 2
Modified by: René Brulc	Release date: 09. November 2012	<b>293156EB</b>