



VAT Vakuumventile AG
CH-9469 Haag, Schweiz

Product data sheet

Beam stopper insert Series 793, DN 100 (ID 4")
Ordering No. 79340-CE44-0002

Description

Flange	DN100 CF-F
Actuator	Pneumatic, double acting – with solenoid valve – with position indicator
Feedthrough	Bellows
Options	Standard

Technical data

Leak rate	– to the outside	$< 5 \cdot 10^{-10}$ mbar ls ⁻¹
Pressure range		UHV to 1 bar (abs)
Cycles until first service		≤ 5'000
Temperature (Maximum values: depending on operating conditions and sealing materials)	– Actuator – Solenoid valve – Position indicator	≤ 80 °C ≤ 80 °C ≤ 80 °C
Heating and cooling rate		80 °C h ⁻¹
Material	– Flange – Absorber – Bellows	AISI 304 (1.4301) copper AISI 316L (1.4435)
Seal	– Bonnet – Actuator	Metal (seal is customer supply) FKM (Viton®)
Radiation resistance	– Actuator – Solenoid – Position indicator	10 ⁵ Gy (10 ⁷ rad) 10 ⁴ Gy (10 ⁶ rad) 10 ⁵ Gy (10 ⁷ rad)
Absorber (water cooled)	– max. beam load ∅ < 60 mm – max. beam load ∅ > 60 mm – max. density	5 kW 6 kW 25 W/mm ²
Cooling water	– min. quantity of cooling water – max. water temperatur (supply) – max. cooling water pressure	15 l/min 15°C 8 bar
Cooling water connection		G 1/4" (USA: 1/4" NPT)
Mounting position		any

Created by: Kurt Sonderegger	Release date: 05.12.201705.01.2018	1/2
Modified by:	Release date:	922242EA



VAT Vakuumventile AG
CH-9469 Haag, Schweiz

Product data sheet

Beam stopper insert Series 793, DN 100 (ID 4")
Ordering No. 79340-CE44-0002

Volume of pneumatic actuator		0.33 l / 0.07 ft ³
Compressed air min. – max. overpressure		4 – 7 bar / 58 – 100 psi
Compressed air connection		G 1/8" (USA: 1/8" NPT)
Actuation time	– Closing – Opening	≤ 2 s ≤ 2 s
Behavior in case of compressed air pressure drop	– Beamstopper closed – Beamstopper open	Undefined undefined
Behavior in case of power failure	– Beamstopper closed – Beamstopper open	Beam stopper remains closed Beam stopper closes
Weight		App 6. kg / 13.5 lbs

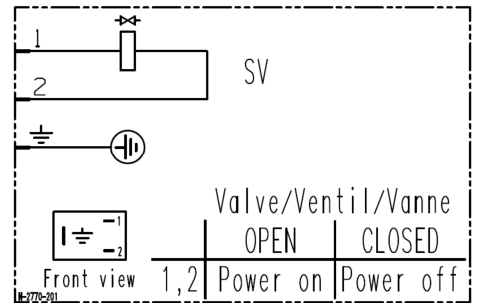
Related documents

Dimensional drawing No. 379485B

Electrical connections

Solenoid valve

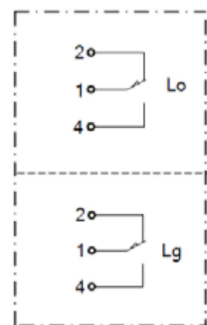
Type	5/2-way
Voltage	Acc. P.O.
Power	2.5 W
Connector	Rectangle plug, Type B (DIN standard)



Wiring diagram

Position indicator

Type	Micro switch
Voltage	≤ 50 V AC/DC
Current max.	≤ 1.2 A
Lo	Position «open»
Lg	Position «closed»



Wiring diagram

Created by: Kurt Sonderegger	Release date: 05.12.201705.01.2018	2/2
Modified by:	Release date:	922242EA