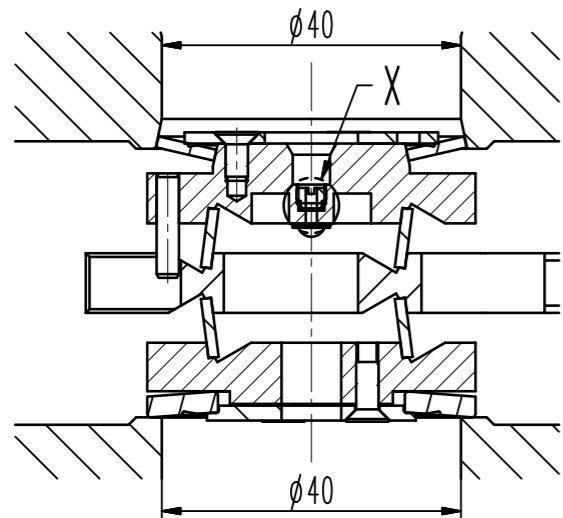


This drawing is the property of VAT.

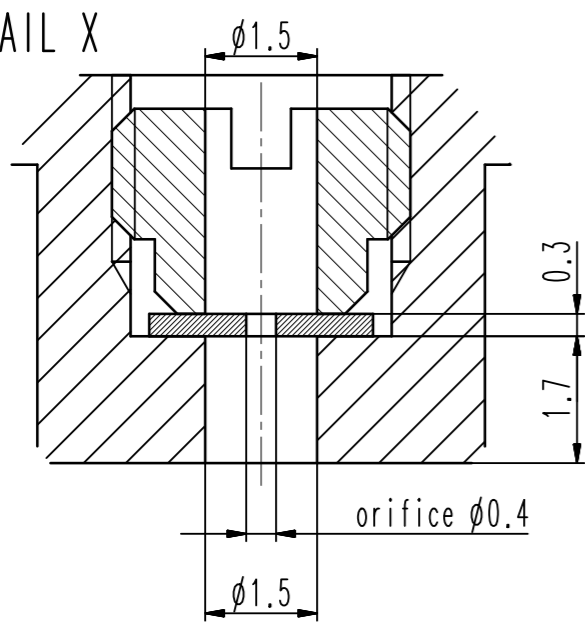
Revision

Customer number

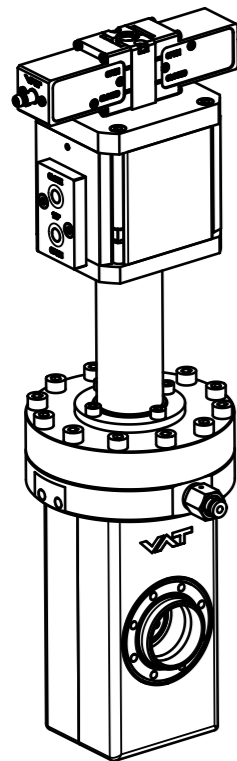
SECTION A-A VALVE CLOSED



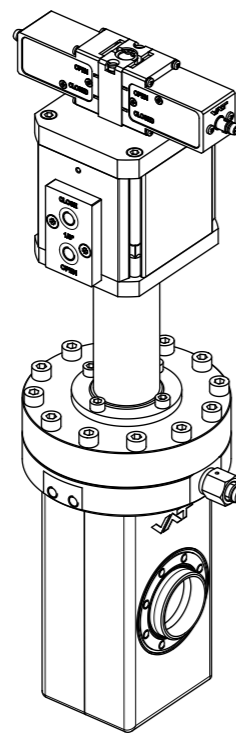
DETAIL X



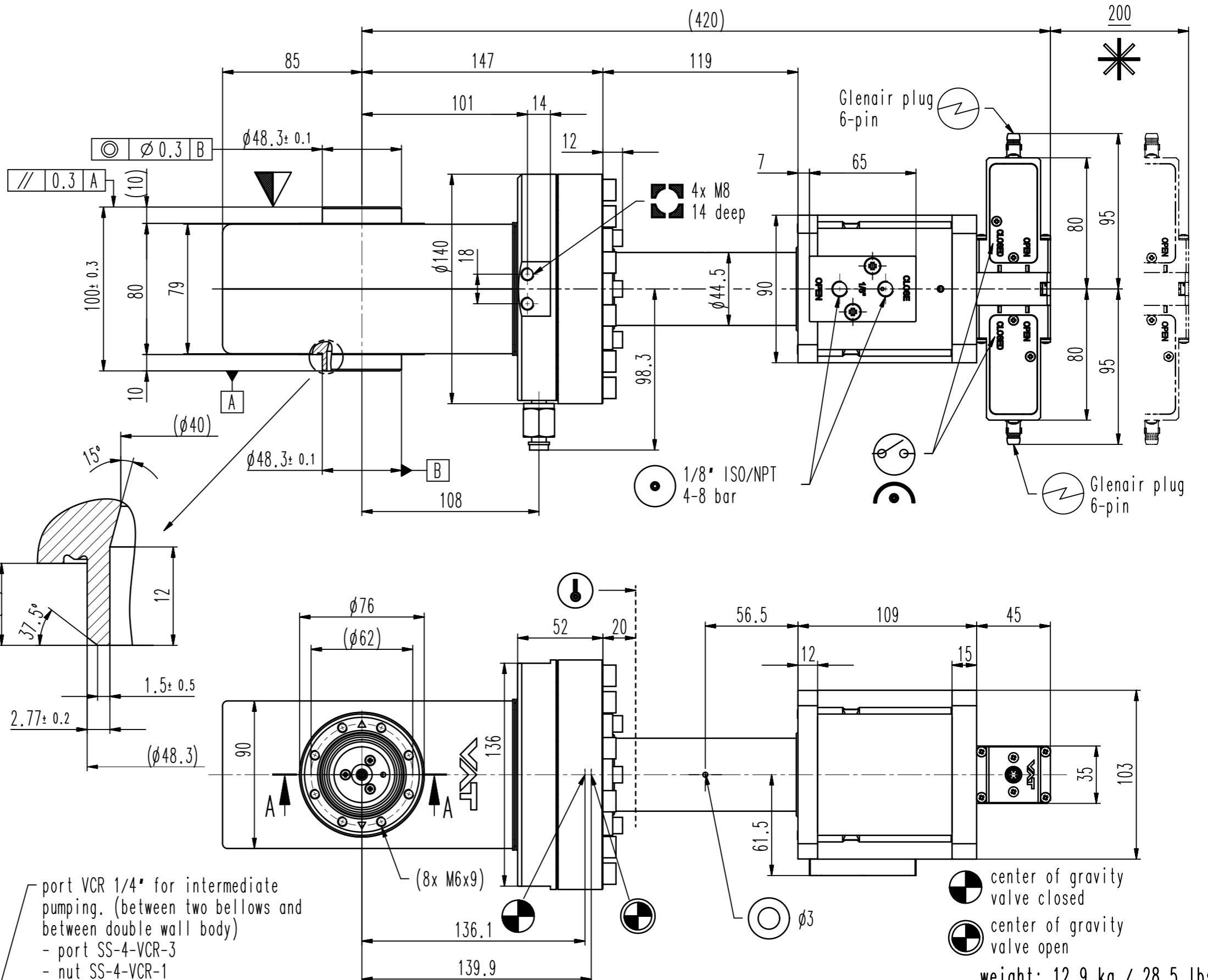
Customer can turn position indicator 90°



Delivered valve from VAT



port VCR 1/4" for intermediate pumping. (between two bellows and between double wall body)
 - port SS-4-VCR-3
 - nut SS-4-VCR-1



weight: 12.9 kg / 28.5 lbs

- ▽ Seat side
- ⊙ Comp. air connection
- ⊕ Electrical connection
- ⊗ Leak detection port
- ⊖ Mech. pos. indication
- ⊙ Position indicator
- ⊗ Required for dismantling
- ⊕ Emergency actuation
- ⊖ For attachment
- ⊙ Bake-out area
- ⊗ Differential pumping port

All-metal gate valve
 product: valve typ ITER 1; flange A+B; ; weld stub flange;
 Schedule No. 10S; body: A dimension customer specific 100 mm;
 plate: orifice 0.4 mm; position indicator: style rotatable 90°;

VAT Vakuumentile AG
 CH-9469 Haag, Switzerland
 Tel ++41 81 7716161 Fax ++41 81 7714830

Rev.-Date: 13.01.21
 Visa: MAT

Series	481	Ordering No.	48132-RE24-AVG1
Projection E	DN	Flange	R
Dimensional Drawing	40	1070117	Rev. A