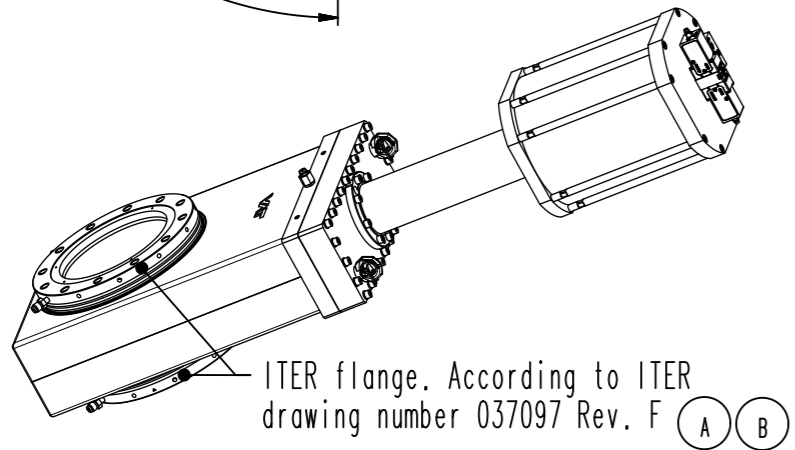
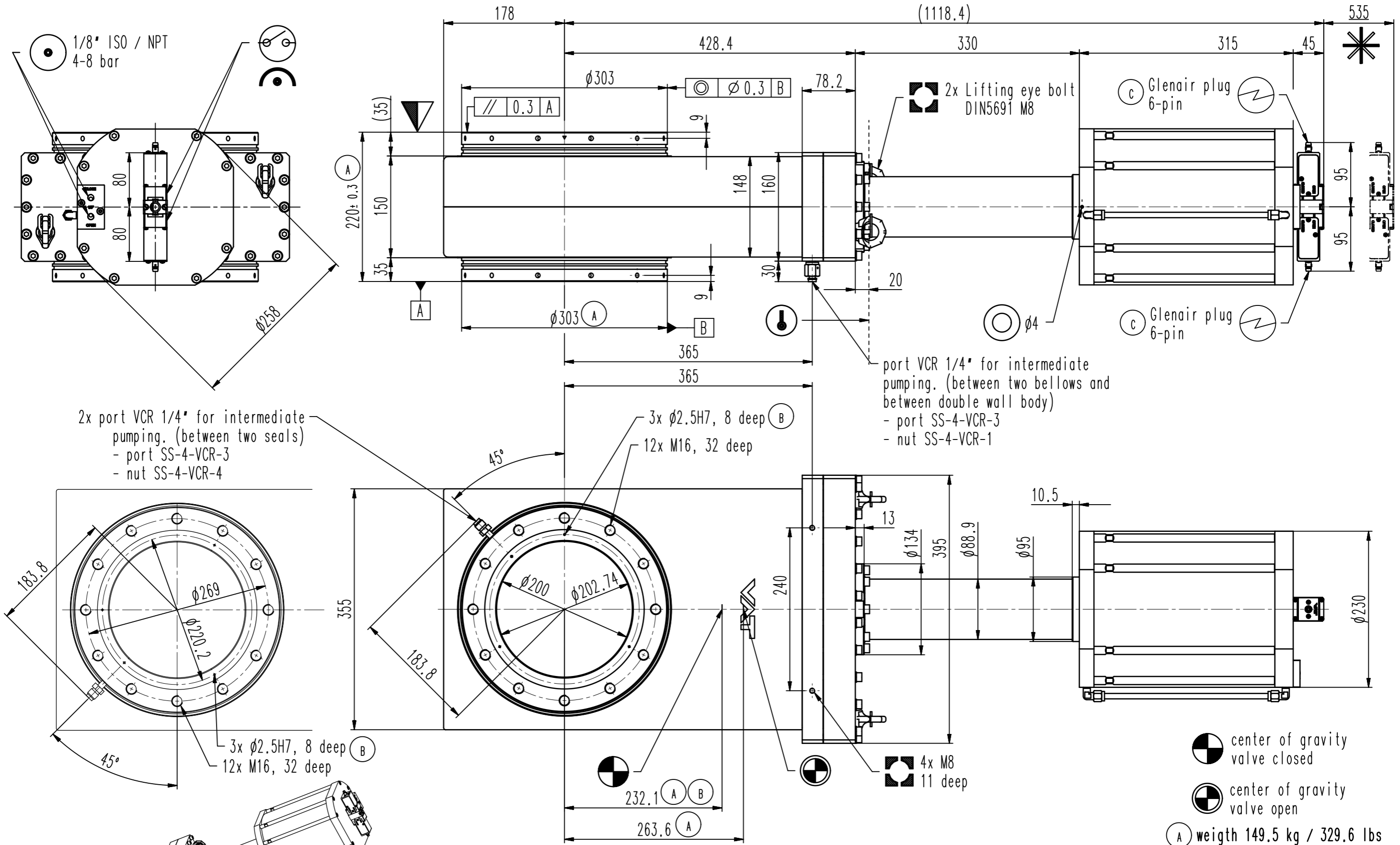


This drawing is the property of VAT.

Revision

Customer number



- Seat side
- Comp. air connection
- Electrical connection
- Leak detection port
- Mech. pos. indication
- Position indicator
- Required for dismantling
- Emergency actuation
- For attachment
- Bake-out area
- Differential pumping port

All-metal gate valve

product: valve typ ITER 1; flange A+B; type ITER; (A)

VAT Vakuumentile AG
CH-9469 Haag, Switzerland
Tel ++41 81 7716161 Fax ++41 81 7714830

Rev.-Date: 19.05.20
Visa: MAT

Series	481	Ordering No.	48146-XE24-APV1
Projection E	DN	Flange	X
	200		
Dimensional Drawing	751205	Rev.	C