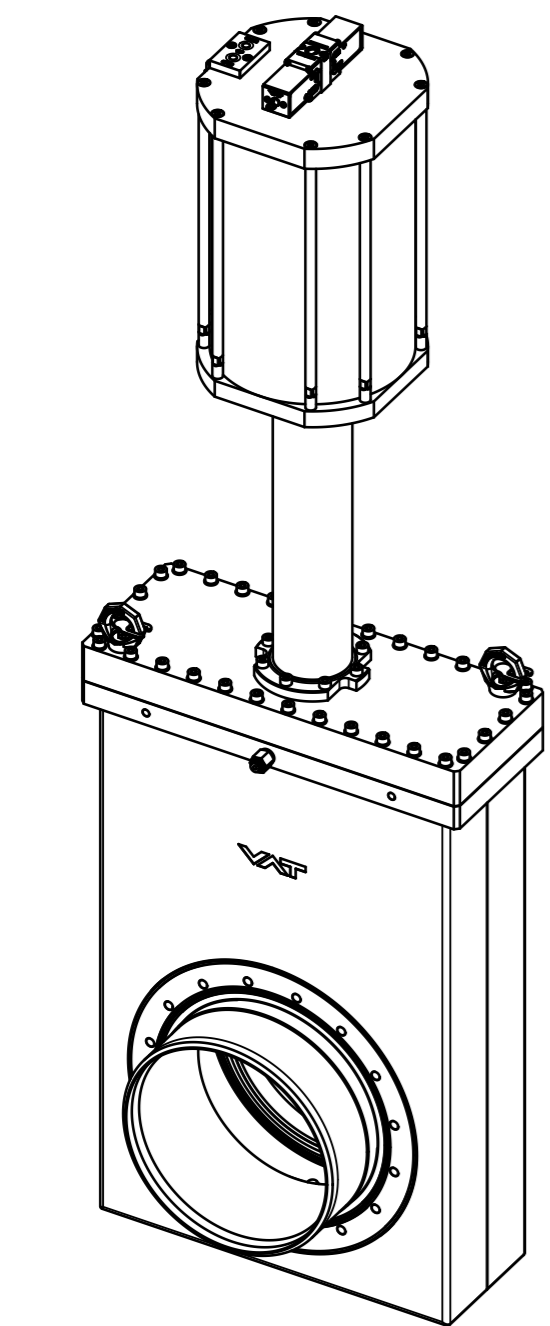
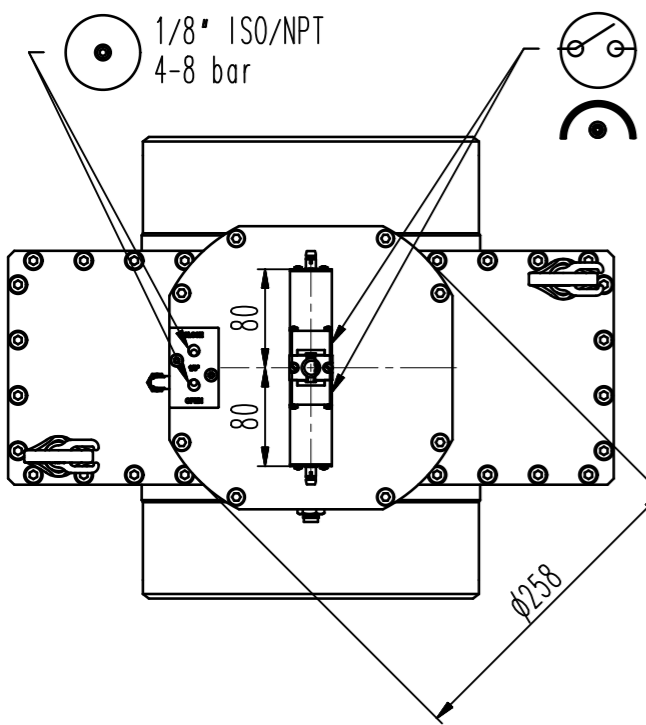
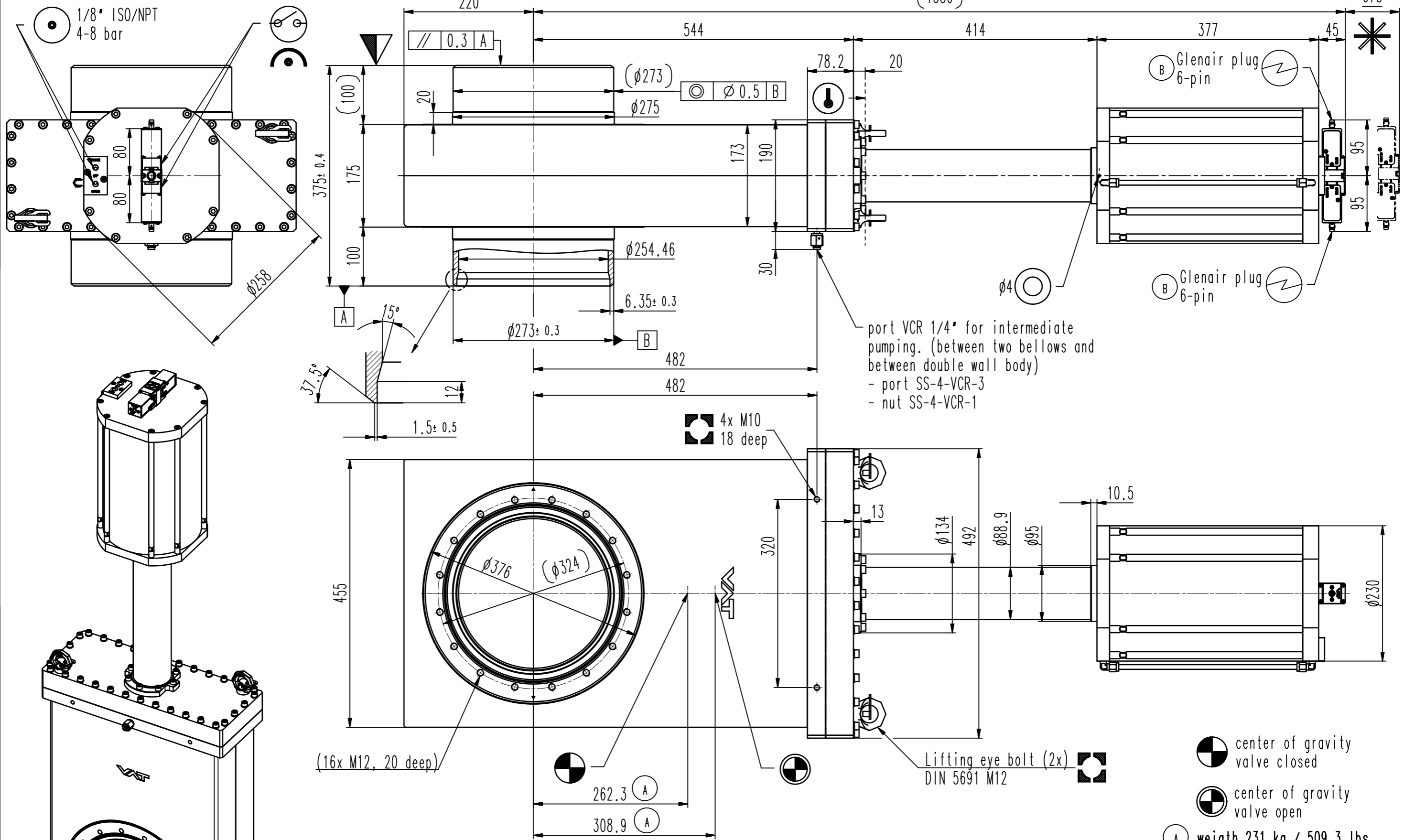


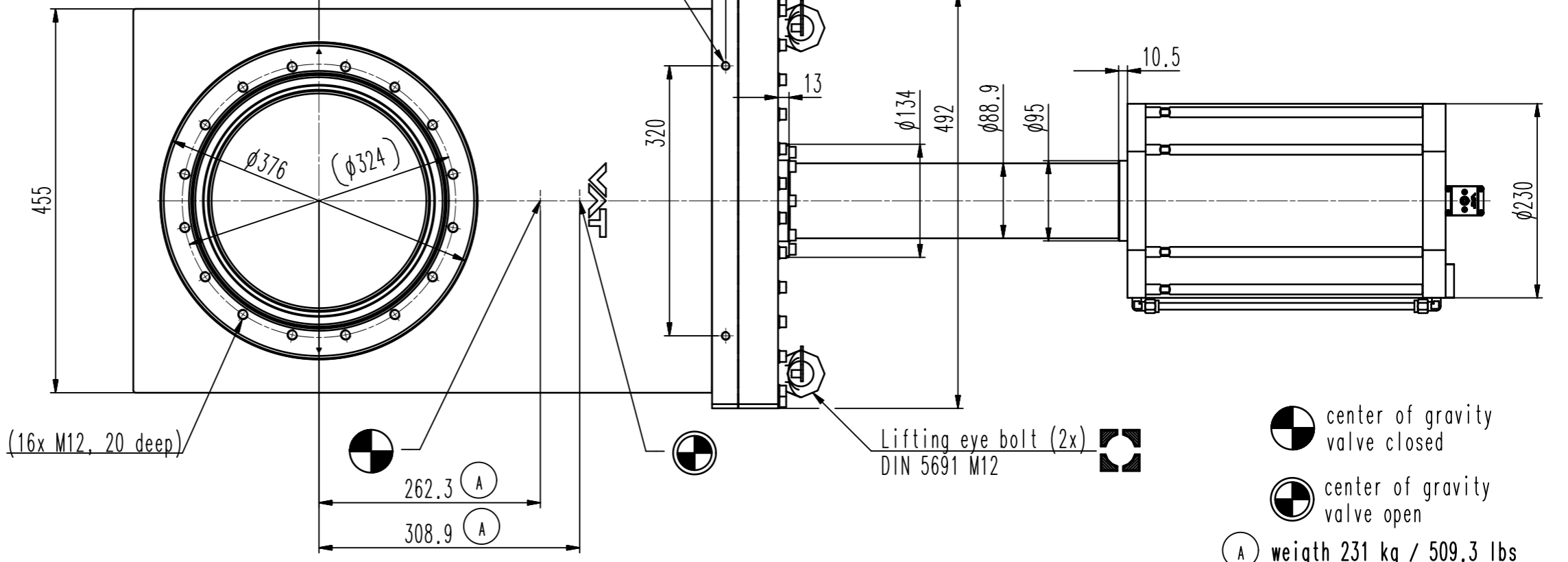
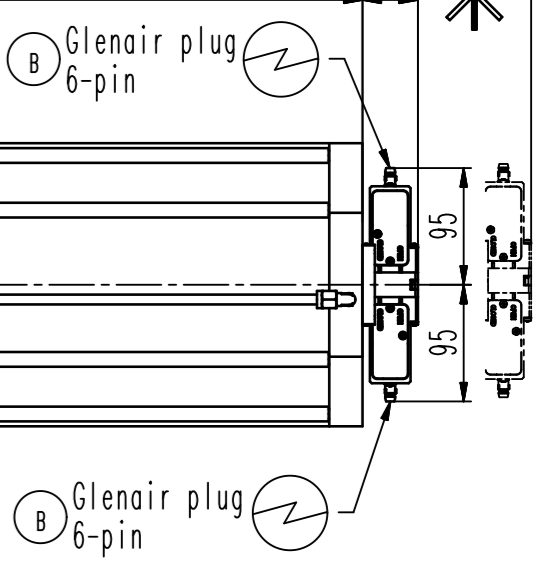
This drawing is the property of VAT.

Revision

Customer number



port VCR 1/4" for intermediate pumping. (between two bellows and between double wall body)
 - port SS-4-VCR-3
 - nut SS-4-VCR-1



center of gravity valve closed
 center of gravity valve open
 weight 231 kg / 509.3 lbs

- Seat side
- Comp. air connection
- Electrical connection
- Leak detection port
- Mech. pos. indication
- Position indicator
- Required for dismantling
- Emergency actuation
- For attachment
- Bake-out area
- Differential pumping port

All-metal gate valve
 product: valve typ ITER 1; flange A+B: ; weld stub flange:
 Schedule No. 20S;

VAT Vakuumentile AG
 CH-9469 Haag, Switzerland
 Tel ++41 81 7716161 Fax ++41 81 7714830

Rev.-Date: 19.05.20
 Visa: MAT

Series	481	Ordering No.	48148-RE24-ARH1
Projection E	DN	Flange	R
	250		
Dimensional Drawing	823423	Rev.	B