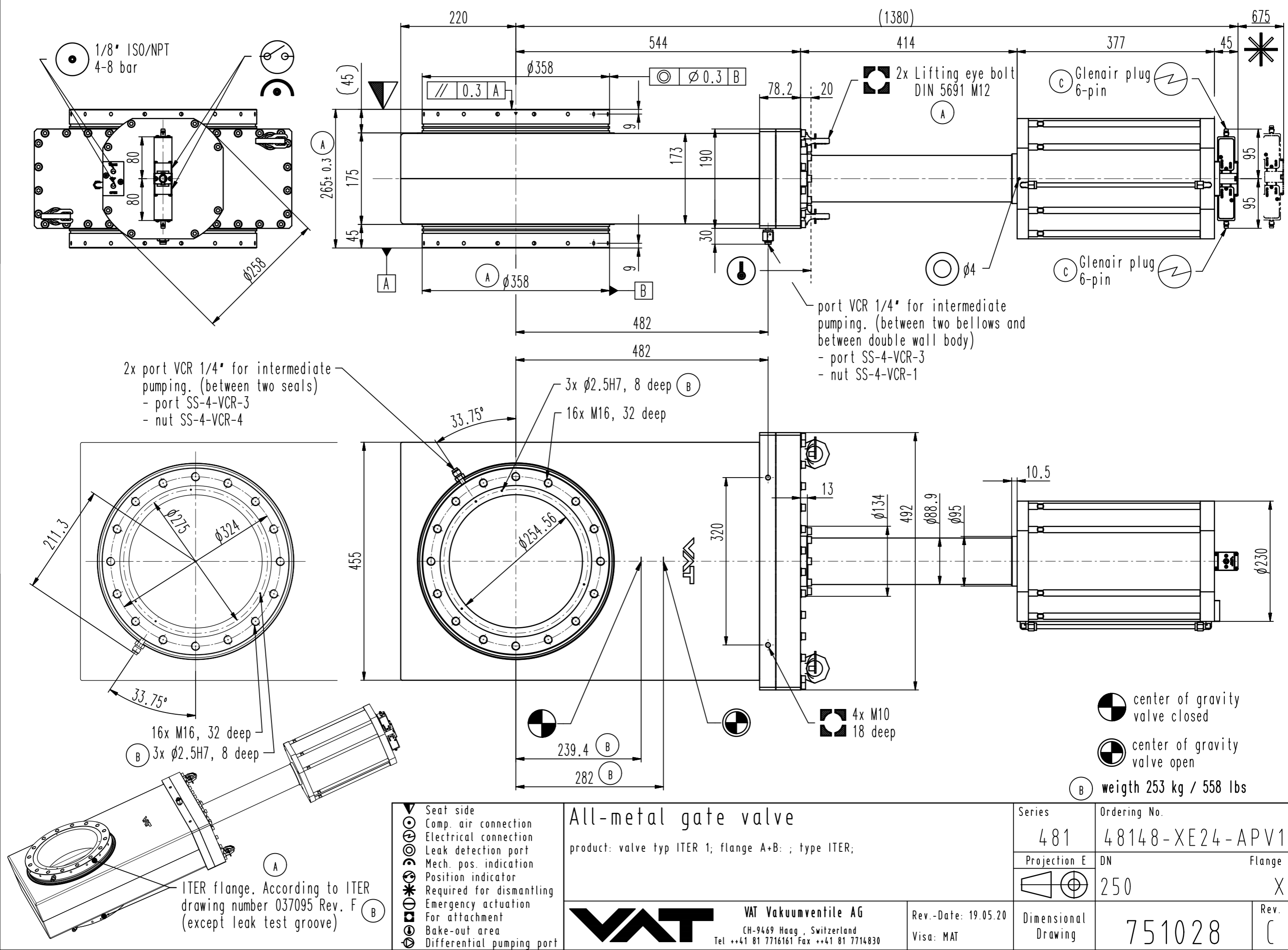


This drawing is the property of VAT.

Revision

Customer number



- center of gravity valve closed
- center of gravity valve open
- (B)** weight 253 kg / 558 lbs

- Seat side
- Comp. air connection
- Electrical connection
- Leak detection port
- Mech. pos. indication
- Position indicator
- Required for dismantling
- Emergency actuation
- For attachment
- Bake-out area
- Differential pumping port

All-metal gate valve

product: valve typ ITER 1; flange A+B; ; type ITER;



VAT Vakuumentile AG
 CH-9469 Haag, Switzerland
 Tel ++41 81 7716161 Fax ++41 81 7714830

Rev.-Date: 19.05.20
 Visa: MAT

Series	481	Ordering No.	48148-XE24-APV1
Projection E	DN	Flange	X
	250		
Dimensional Drawing	751028	Rev.	C