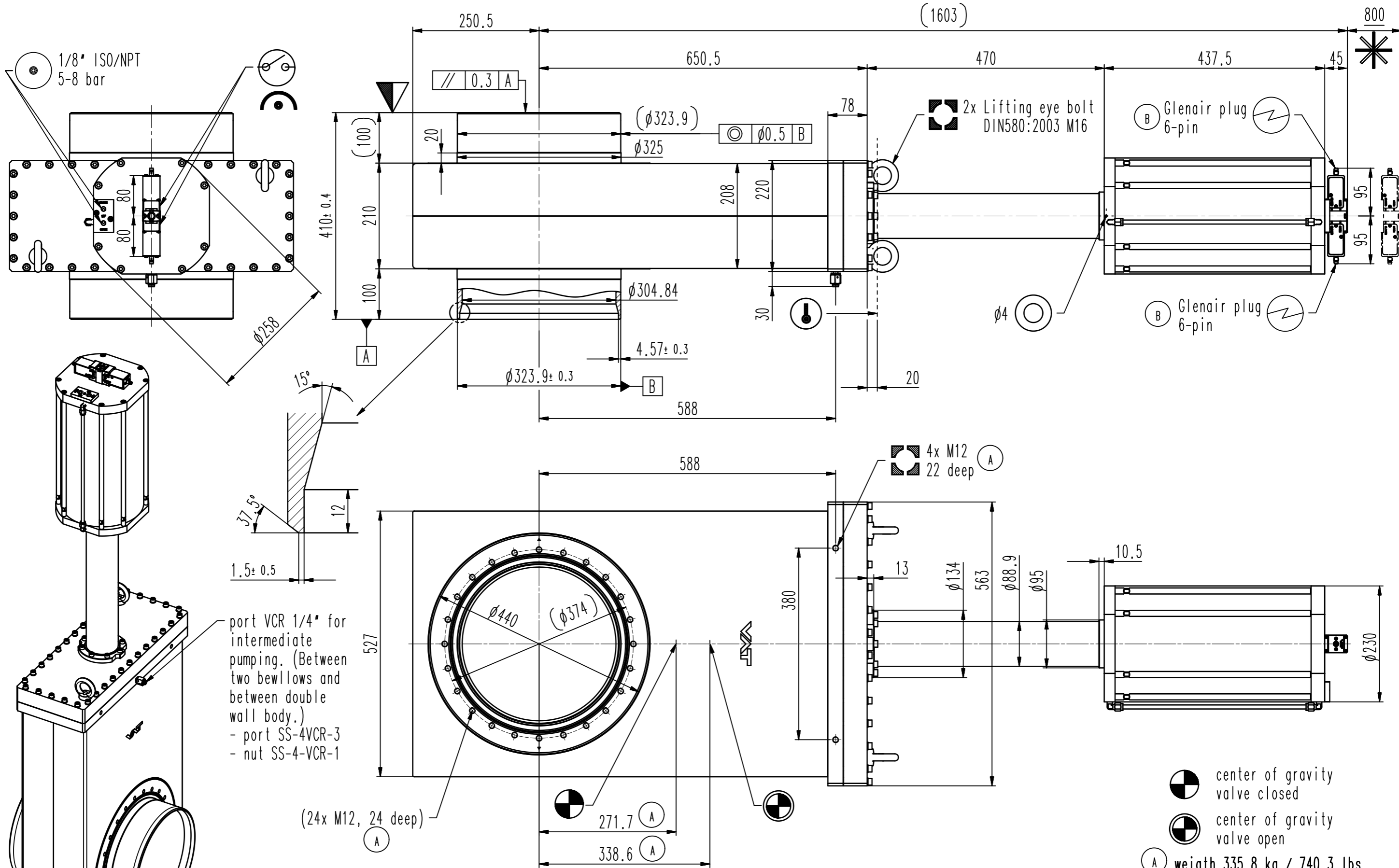


This drawing is the property of VAT.

Revision

Customer number



port VCR 1/4" for intermediate pumping. (Between two beflows and between double wall body.)
 - port SS-4VCR-3
 - nut SS-4-VCR-1

center of gravity valve closed
 center of gravity valve open

(A) weight 335.8 kg / 740.3 lbs

- ▼ Seat side
- ⊙ Comp. air connection
- ⊙ Electrical connection
- ⊙ Leak detection port
- ⊙ Mech. pos. indication
- ⊙ Position indicator
- ⊙ Required for dismantling
- ⊙ Emergency actuation
- ⊙ For attachment
- ⊙ Bake-out area
- ⊙ Differential pumping port

All-metal gate valve
 product: valve typ ITER 1; flange A+B; ; weld stub flange:
 Schedule No. 10S;

VAT Vakuumentile AG
 CH-9469 Haag, Switzerland
 Tel ++41 81 7716161 Fax ++41 81 7714830

Rev.-Date: 20.05.20
 Visa: MAT

Series	481	Ordering No.	48150-RE24-ARG1
Projection E	DN	Flange	R
	320		
Dimensional Drawing	825434	Rev.	B