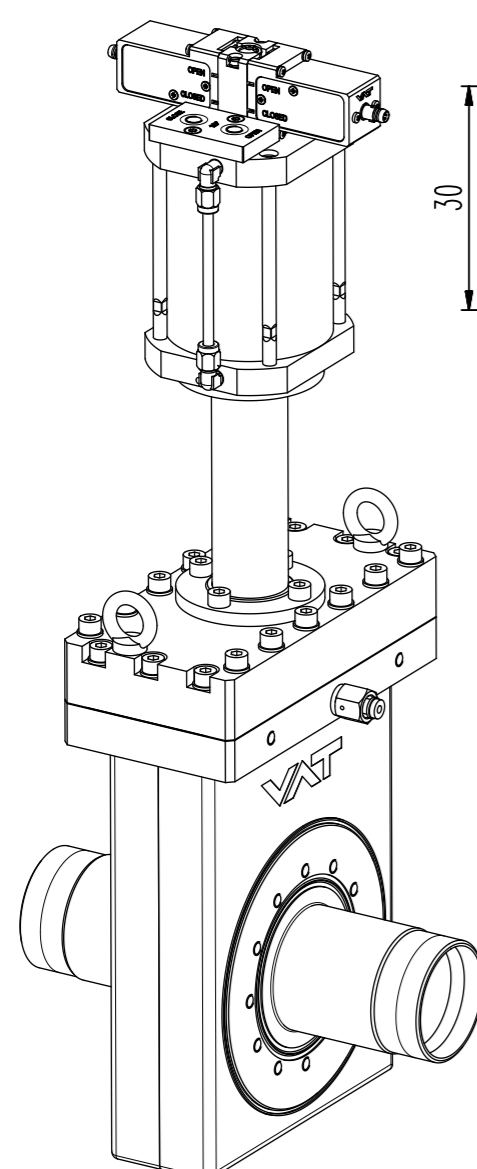
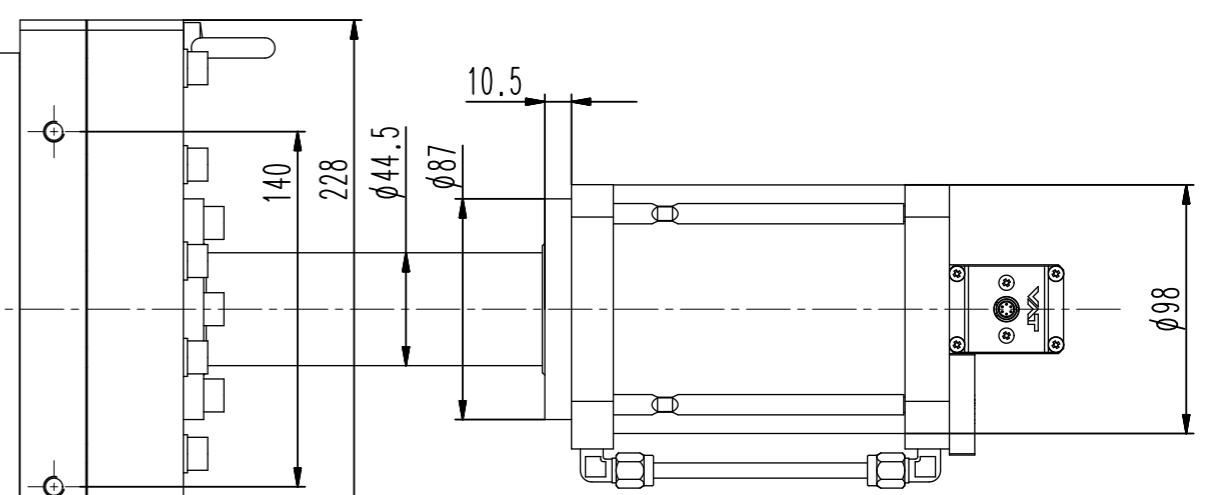
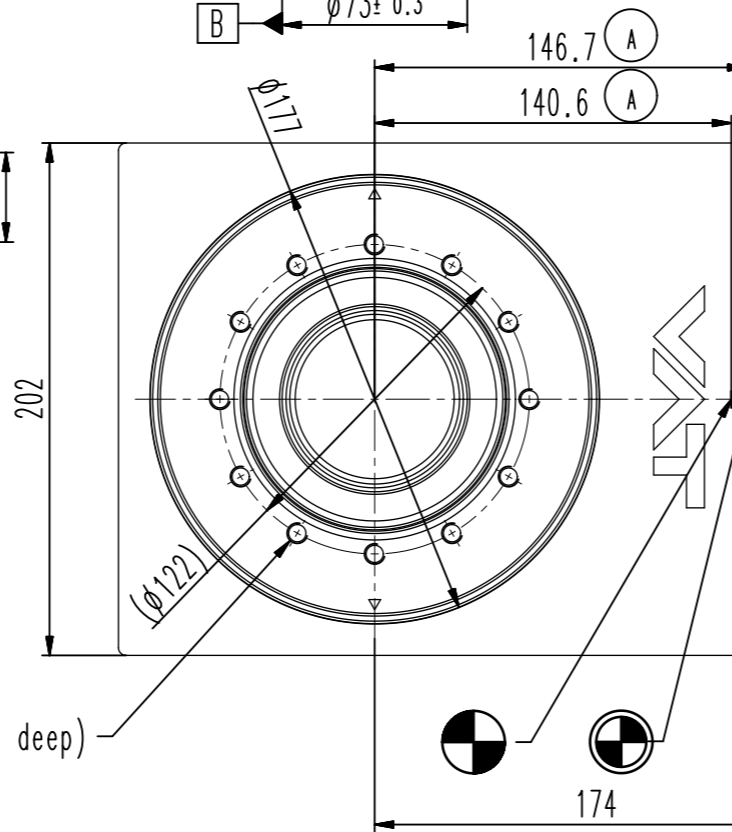
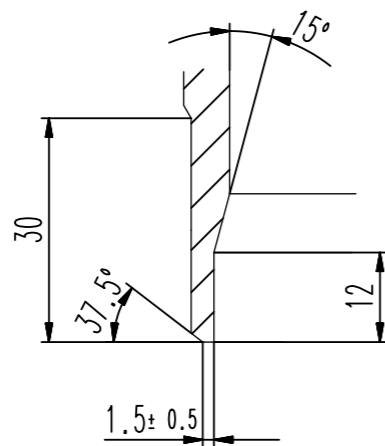
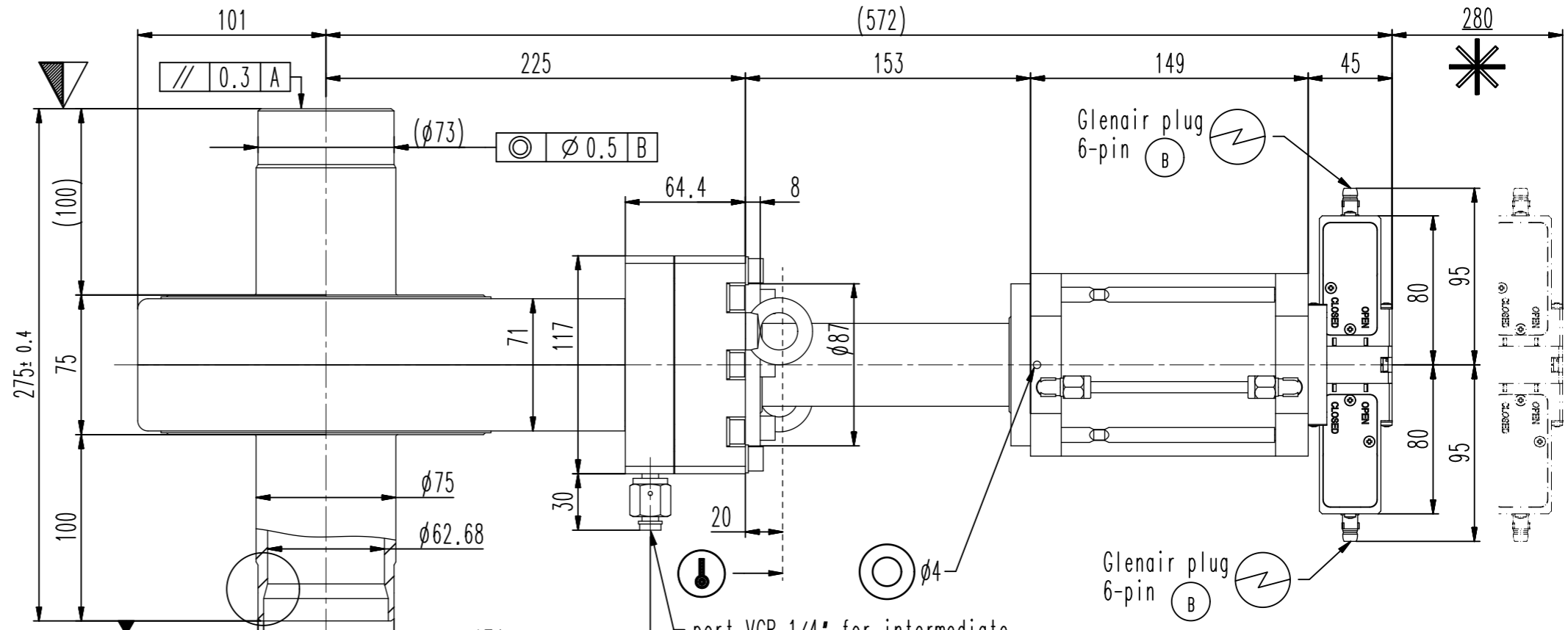
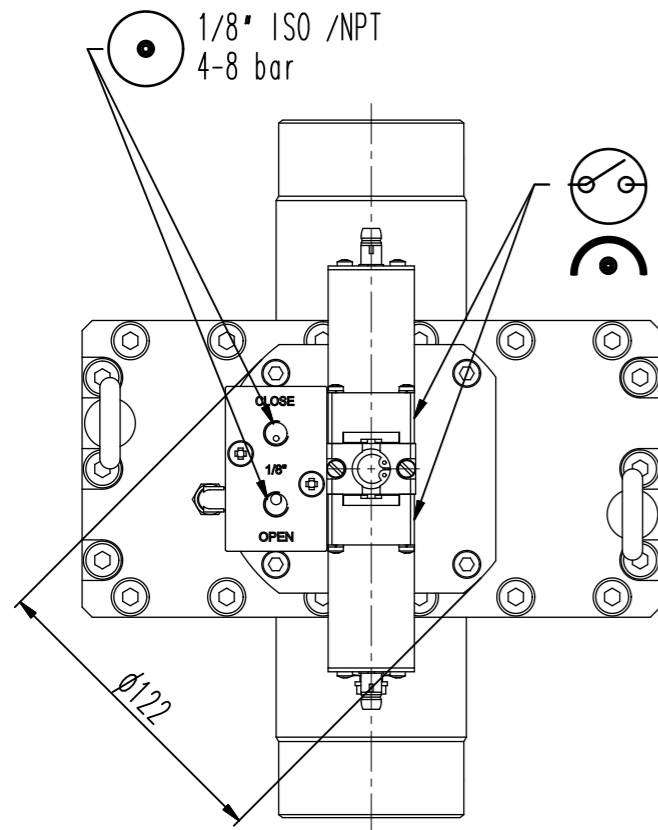


This drawing is the property of VAT.

Revision

Customer number



port VCR 1/4" for intermediate pumping. (between two bellows and between double wall body)  
 - port SS-4-VCR-3  
 - nut SS-4-VCR-1

- center of gravity valve closed
- center of gravity valve open
- A** weight 29.0 kg / 63.9 lbs

- Seat side
- Comp. air connection
- Electrical connection
- Leak detection port
- Mech. pos. indication
- Position indicator
- Required for dismantling
- Emergency actuation
- For attachment
- Bake-out area
- Differential pumping port

**All-metal gate valve**  
 product: valve typ ITER 1; flange A+B; ; weld stub flange:  
 Schedule No. 10S;

**VAT** Vakuumentile AG  
 CH-9469 Haag, Switzerland  
 Tel ++41 81 7716161 Fax ++41 81 7714830

Rev.-Date: 12.05.20  
 Visa: MAT

Series	482	Ordering No.	48236-RE24-ARG1
Projection E		DN	63
Flange			R
Dimensional Drawing			834559
Rev.			B