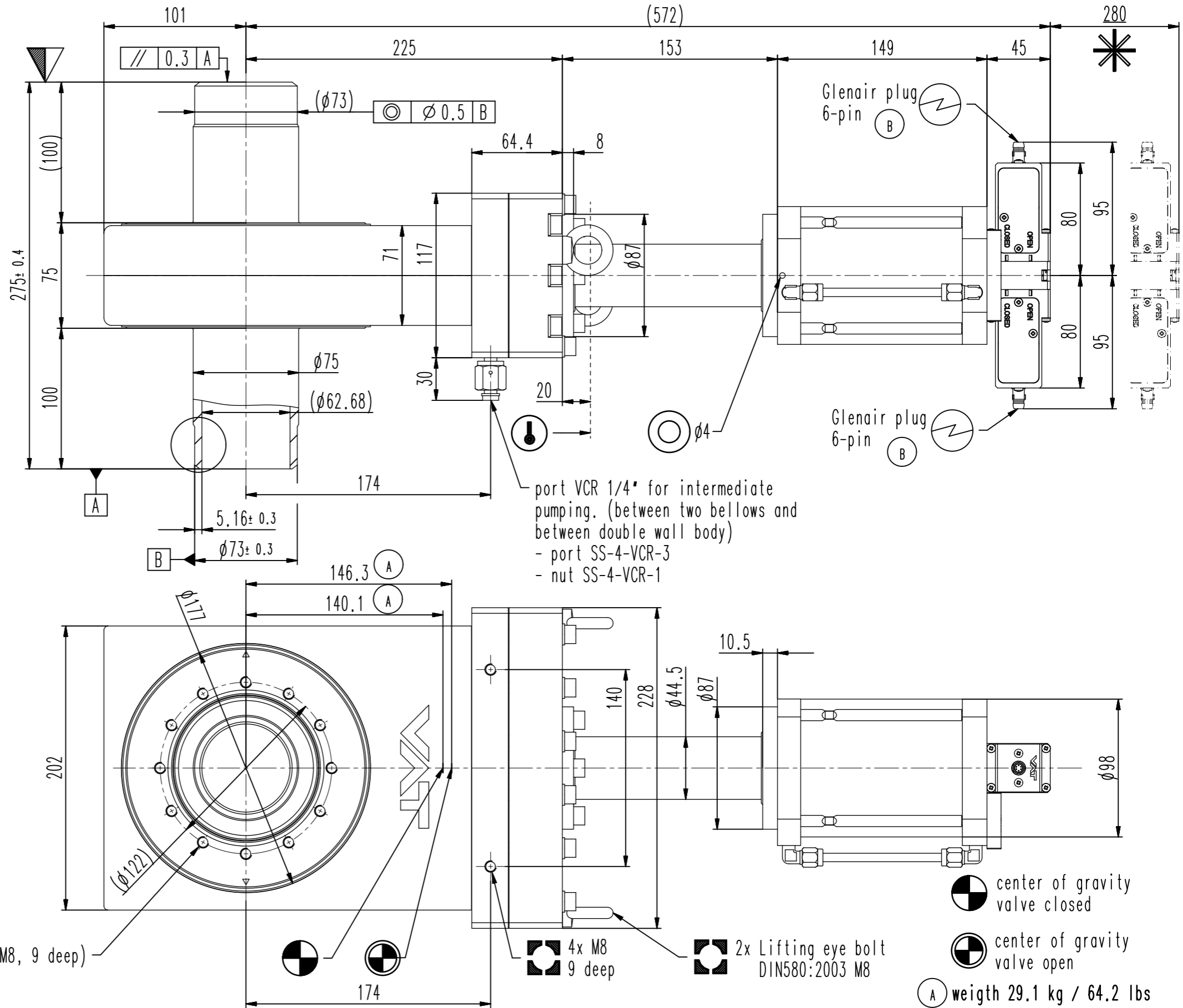
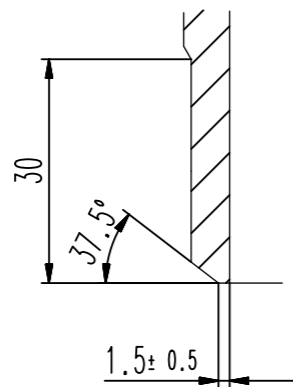
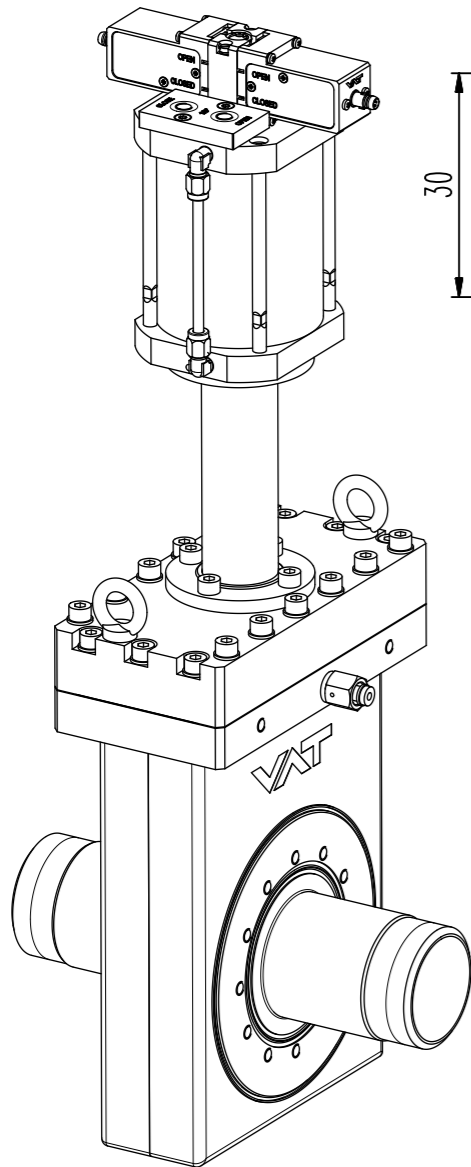
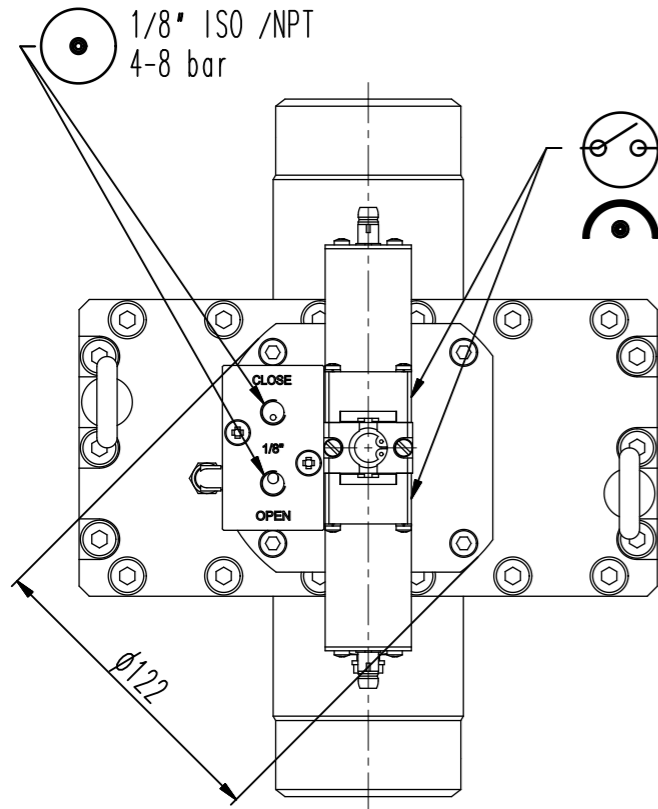


This drawing is the property of VAT.

Revision

Customer number



(12x M8, 9 deep)

4x M8
9 deep

2x Lifting eye bolt
DIN580:2003 M8

center of gravity
valve closed

center of gravity
valve open

(A) weight 29.1 kg / 64.2 lbs

- ▼ Seat side
- ⊙ Comp. air connection
- ⊙ Electrical connection
- ⊙ Leak detection port
- ⊙ Mech. pos. indication
- ⊙ Position indicator
- ⊙ Required for dismantling
- ⊙ Emergency actuation
- ⊙ For attachment
- ⊙ Bake-out area
- ⊙ Differential pumping port

All-metal gate valve

product: valve typ ITER 1; flange A+B; ; weld stub flange:
Schedule No. 40S;



VAT Vakuumventile AG

CH-9469 Haag, Switzerland
Tel ++41 81 7716161 Fax ++41 81 7714830

Rev.-Date: 13.05.20

Visa: MAT

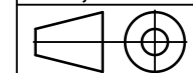
Series

482

Ordering No.

48236-RE24-ARI1

Projection E



DN

63

Flange

R

Dimensional
Drawing

834495

Rev.

B

VAT/DA